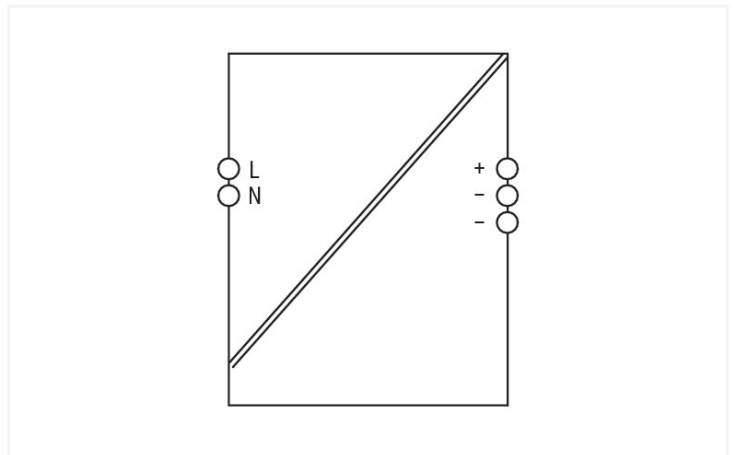
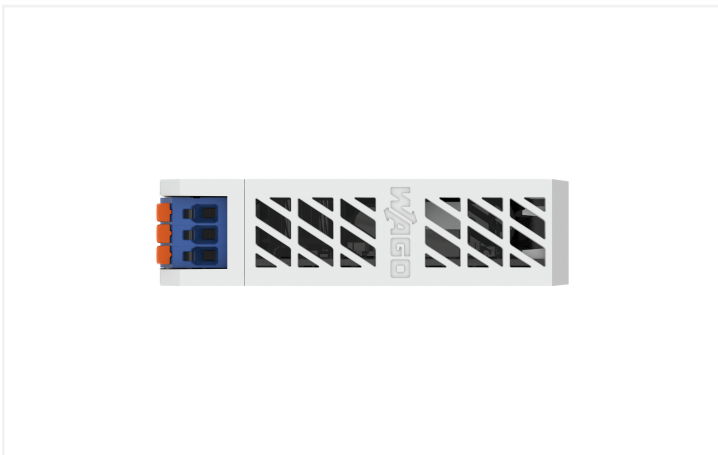
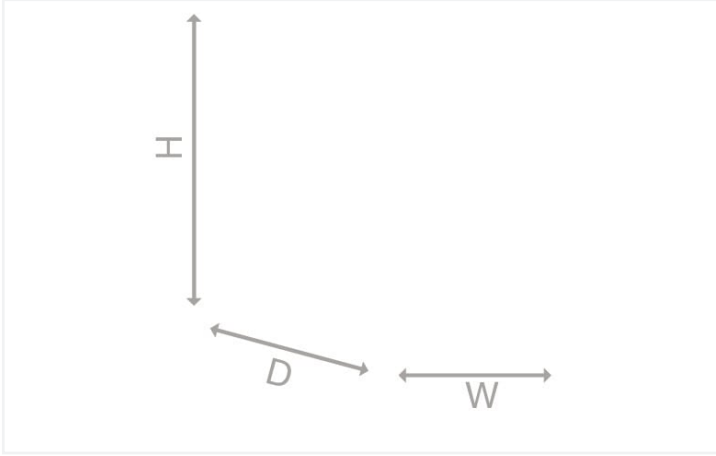


Data Sheet | Item Number: 2687-2142

Power supply; Eco 2; 1-phase; 24 VDC output voltage; 1.25 A output current; DC-OK LED

<https://www.wago.com/2687-2142>





Features:

- Optical status indication
- Suitable for both parallel and series operation
- Natural convection cooling when horizontally mounted
- Connection technology with push-in termination and tool-free lever operation
- Electrically isolated output voltage (SELV/PELV) per EN 61010/UL 61010
- Marker slot (2789-1223, not included) for WAGO marking cards (WMB) and WAGO marking strips

Technical data	

Safety and protection	
Isolation voltage (pri.-sec., AC)	3510 V
Protection class	II
Protection type	IP20; per EN 60529
Resistance to reverse feed	≤ DC 35 V
Overtoltage category	III (≤ 2000 m a.s.l.); II (> 2000 m a.s.l.)
Pollution degree	2
Short-circuit-protected	Yes
Open-circuit-proof	Yes
Parallel operation	Yes
Series operation	Yes

Safety and protection

MTBF

> 1,000,000 h (per IEC 61709)