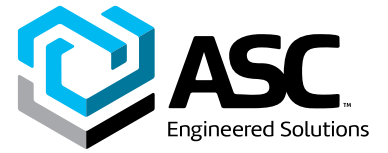


Building connections that last™



Sharpe® Series OP54

Oil Patch Ball Valves Datasheet



Oil Patch Carbon
Steel Ball Valve
Sharpe® Series OP54

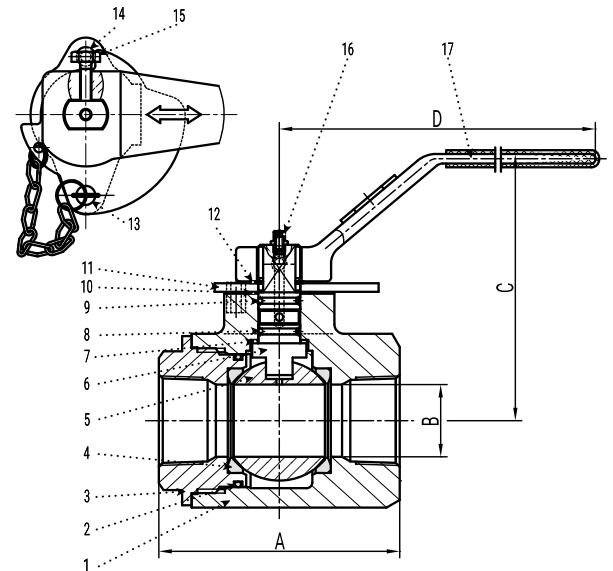


Fig. OP54CC6DV
Carbon Steel

Design Features

- Carbon Steel Body
- 3000 psi
- Standard Port
- Two Piece
- Delrin Seats
- Nace MR-01-75-2009 Compliant
- Heavy Duty Locking Device
- Blow-out Proof Stem
- Double O-Ring Stem Seal
- Grease Fitting for Constant Lubrication and Protection Against Corrosion and Moisture

No.	Part	Material
1	Body	WCB
2	Body Seal	Viton
3	Bonnet	WCB
4	Seat	Delrin
5	Ball	AISI 420 Stainless Steel
6	Stem	AISI 420 Stainless Steel
7	Thrust Washer	PTFE
8	Stem Seal	Viton
9	Stem Seal	Viton
10	Stem Packing	PTFE
11	Locating Plate	Steel
12	Clip Spring	Spring Steel
13	Pin with Chain	Copper & Steel
14	Handle Screw	Steel
15	Stop Bolt	Steel
16	Grease Zerk	SS201
17	Handle	Ductile Iron

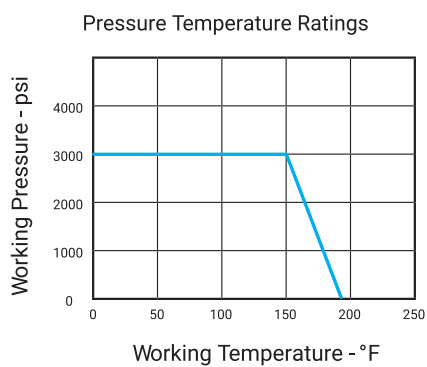


Oil Patch Carbon
Steel Ball Valve
Sharpe® Series OP54



Size	Part Number	Weight	A	B	C	D
In.		Lb.	In.	In.	In.	In.
2	SVOP54CC6DV020	12.2	5.51	1.50	5.07	10.00

Technical Information



Oil Patch Carbon
Steel Ball Valve
Sharpe® Series OP54

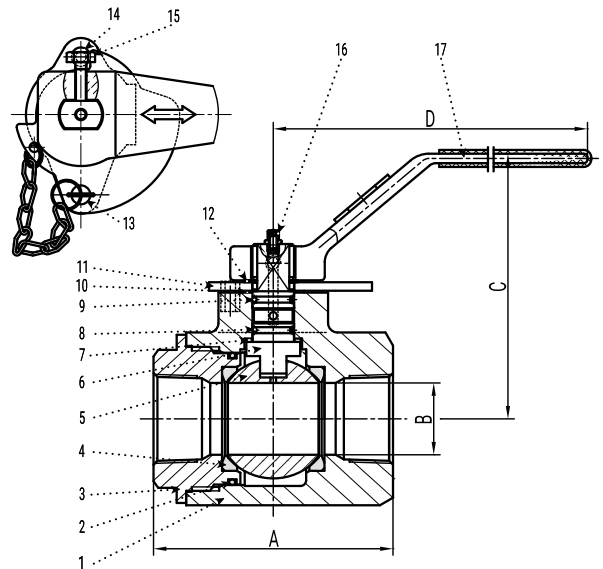


Fig. OP54CE6DV
Carbon Steel

Design Features

- Carbon Steel Body
- 5000 psi
- Standard Port
- Two Piece
- Delrin Seats
- Nace MR-01-75-2009 Compliant
- Heavy Duty Locking Device
- Blow-out Proof Stem
- Double O-Ring Stem Seal
- Grease Fitting for Constant Lubrication and Protection Against Corrosion and Moisture

No.	Part	Material
1	Body	WCB
2	Body Seal	Viton
3	Bonnet	WCB
4	Seat	Delrin
5	Ball	AISI 420 Stainless Steel
6	Stem	AISI 420 Stainless Steel
7	Thrust Washer	PTFE
8	Stem Seal	Viton
9	Stem Seal	Viton
10	Stem Packing	PTFE
11	Locating Plate	Steel
12	Clip Spring	Spring Steel
13	Pin with Chain	Copper & Steel
14	Handle Screw	Steel
15	Stop Bolt	Steel
16	Grease Zerk	SS201
17	Handle	Ductile Iron



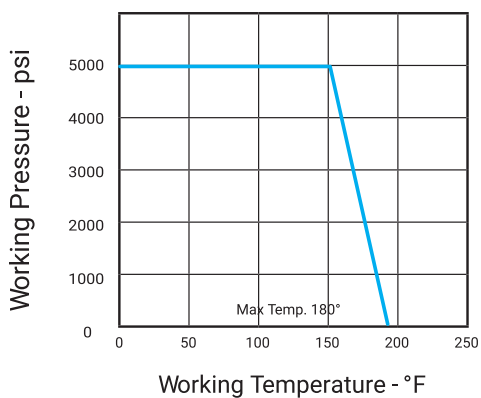
Oil Patch Carbon
Steel Ball Valve
Sharpe® Series OP54



Size	Part Number	Weight	A	B	C	D
In.		Lb.	In.	In.	In.	In.
2	SVOP54CE6DV020	14.2	5.51	1.50	5.07	10.00

Technical Information

Pressure Temperature Ratings



Oil Patch Carbon Steel Ball Valve
Sharpe® Series OP54

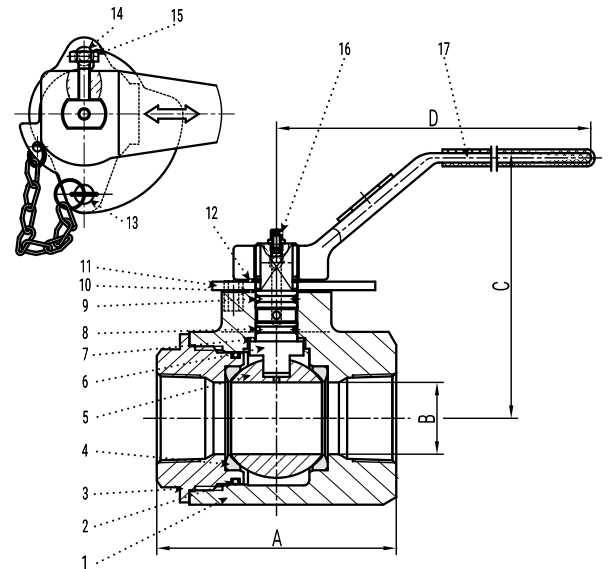


Fig. OP54CQ6DV
Carbon Steel

Design Features

- Carbon Steel Body
- 2500 psi
- Standard Port
- Two Piece
- Delrin Seats
- Nace MR-01-75-2009 Compliant
- Heavy Duty Locking Device
- Blow-out Proof Stem
- Double O-Ring Stem Seal
- Grease Fitting for Constant Lubrication and Protection Against Corrosion and Moisture

No.	Part	Material
1	Body	WCB
2	Body Seal	Viton
3	Bonnet	WCB
4	Seat	Delrin
5	Ball	AISI 420 Stainless Steel
6	Stem	AISI 420 Stainless Steel
7	Thrust Washer	PTFE
8	Stem Seal	Viton
9	Stem Seal	Viton
10	Stem Packing	PTFE
11	Locating Plate	Steel
12	Clip Spring	Spring Steel
13	Pin with Chain	Copper & Steel
14	Handle Screw	Steel
15	Stop Bolt	Steel
16	Grease Zerk	SS201
17	Handle	Ductile Iron



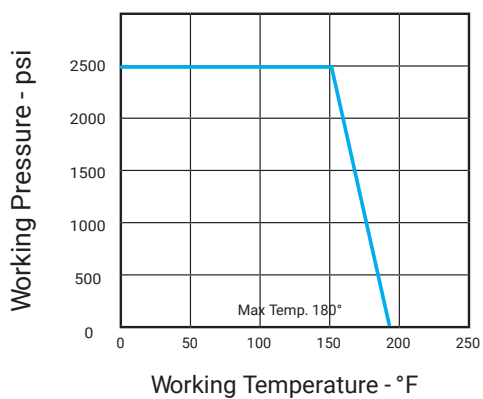
Oil Patch Carbon
Steel Ball Valve
Sharpe® Series OP54



Size	Part Number	Weight	A	B	C	D
In.		Lb.	In.	In.	In.	In.
2	SVOP54CQ6DV020	12.2	5.51	1.50	5.07	10.00

Technical Information

Pressure Temperature Ratings



Oil Patch Ductile
Iron Ball Valve
Sharpe® Series OP54

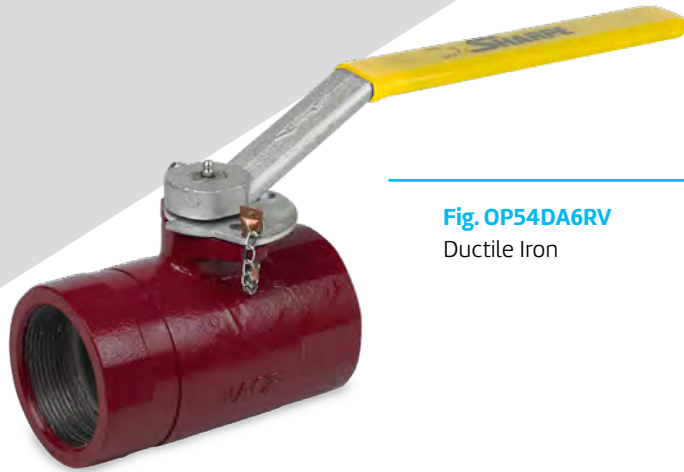
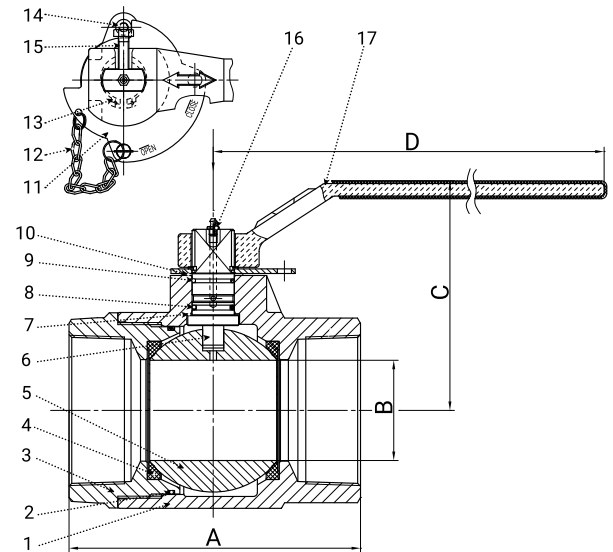


Fig. OP54DA6RV
Ductile Iron

Design Features

- Ductile Iron Body
- 1000 psi
- Standard Port
- Two Piece
- RPTFE Seats
- Nace MR-01-75-2009 Compliant
- Heavy Duty Locking Device
- Blow-out Proof Stem
- Double O-Ring Stem Seal
- Grease Fitting for Constant Lubrication and Protection Against Corrosion and Moisture

No.	Part	Material
1	Body	Ductile Iron
2	Body Seal	Viton
3	Bonnet	Ductile Iron
4	Seat	RPTFE
5	Ball	AISI 420 Stainless Steel
6	Stem	AISI 420 Stainless Steel
7	Thrust Washer	PTFE
8	Stem Seal	Viton
9	Stem Seal	Viton
10	Stem Packing	PTFE
11	Locating Plate	Steel
12	Clip Spring	Spring Steel
13	Pin with Chain	Copper & Steel
14	Handle Screw	Steel
15	Stop Bolt	Steel
16	Grease Zerk	SS201
17	Handle	Ductile Iron



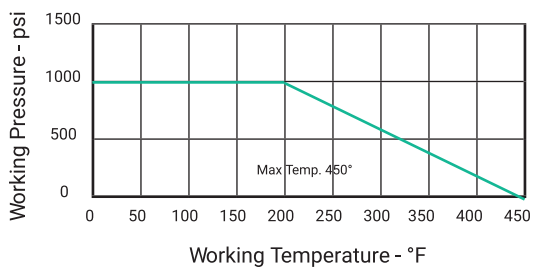
Oil Patch Ductile
Iron Ball Valve
Sharpe® Series OP54



Size	Part Number	Weight	A	B	C	D
In.		Lb.	In.	In.	In.	In.
2	SVOP54DA6RV020	11.3	5.51	1.50	5.59	8.54
3	SVOP54DA6RV030	19.4	7.44	2.00	5.53	10.00
4	SVOP54DA6RV040	35.2	8.70	3.00	6.85	13.50

Technical Information

Pressure Temperature Ratings



Oil Patch Ductile
Iron Ball Valve
Sharpe® Series OP54

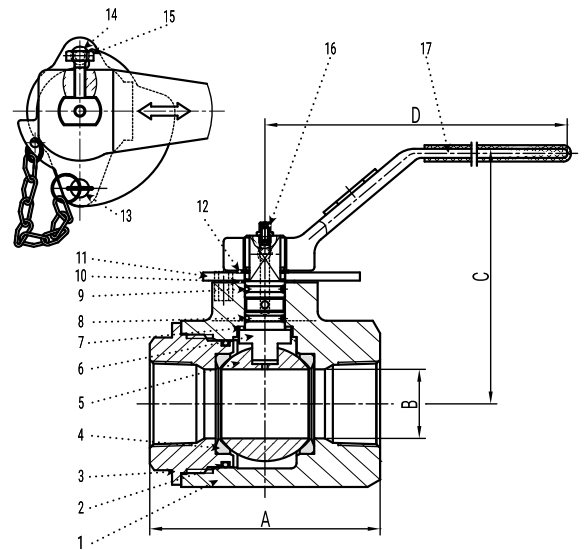


Fig. OP54DB6RV
Ductile Iron

Design Features

- Ductile Iron Body
- 2000 psi
- Standard Port
- Two Piece
- RPTFE Seats
- Nace MR-01-75-2009 Compliant
- Heavy Duty Locking Device
- Blow-out Proof Stem
- Double O-Ring Stem Seal
- Grease Fitting for Constant Lubrication and Protection Against Corrosion and Moisture

No.	Part	Material
1	Body	Ductile Iron
2	Body Seal	Viton
3	Bonnet	Ductile Iron
4	Seat	RPTFE
5	Ball	AISI 420 Stainless Steel
6	Stem	AISI 420 Stainless Steel
7	Thrust Washer	PTFE
8	Stem Seal	Viton
9	Stem Seal	Viton
10	Stem Packing	PTFE
11	Locating Plate	Steel
12	Clip Spring	Spring Steel
13	Pin with Chain	Copper & Steel
14	Handle Screw	Steel
15	Stop Bolt	Steel
16	Grease Zerk	SS201
17	Handle	Ductile Iron



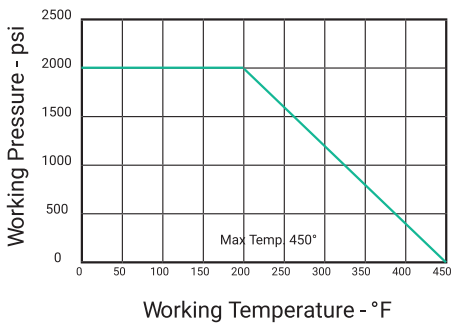
Oil Patch Ductile
Iron Ball Valve
Sharpe® Series OP54



Size	Part Number	Weight	A	B	C	D
In.		Lb.	In.	In.	In.	In.
1	SVOP54DBRV010	4.0	3.77	0.79	3.31	6.65
2	SVOP54DB6RV020	11.3	5.51	1.50	5.59	8.54
3	SVOP54DB6RV030	19.4	7.44	2.00	5.53	10.00
4	SVOP54DB6RV040	41.6	8.70	3.00	6.87	15.00

Technical Information

Pressure Temperature Ratings



Oil Patch Ductile
Iron Ball Valve
Sharpe® Series OP54

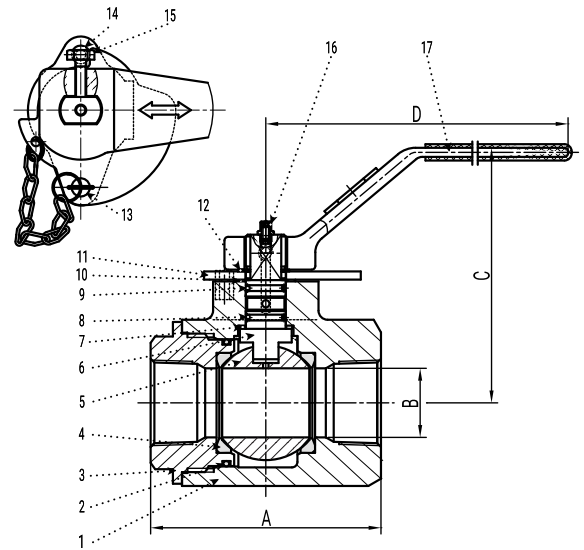


Fig. OP54DN6RV
Ductile Iron

Design Features

- Ductile Iron Body
- 1500 psi
- Standard Port
- Two Piece
- RPTFE Seats
- Nace MR-01-75-2009 Compliant
- Heavy Duty Locking Device
- Blow-out Proof Stem
- Double O-Ring Stem Seal
- Grease Fitting for Constant Lubrication and Protection Against Corrosion and Moisture

No.	Part	Material
1	Body	Ductile Iron
2	Body Seal	Viton
3	Bonnet	Ductile Iron
4	Seat	RPTFE
5	Ball	AISI 420 Stainless Steel
6	Stem	AISI 420 Stainless Steel
7	Thrust Washer	PTFE
8	Stem Seal	Viton
9	Stem Seal	Viton
10	Stem Packing	PTFE
11	Locating Plate	Steel
12	Clip Spring	Spring Steel
13	Pin with Chain	Copper & Steel
14	Handle Screw	Steel
15	Stop Bolt	Steel
16	Grease Zerk	SS201
17	Handle	Ductile Iron



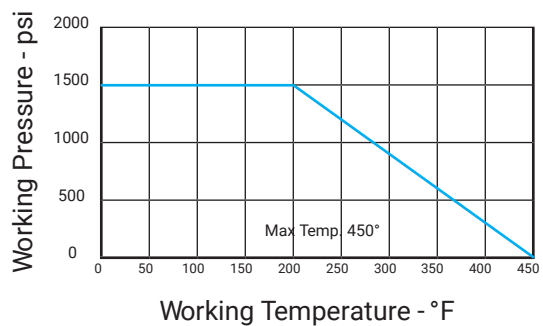
Oil Patch Ductile
Iron Ball Valve
Sharpe® Series OP54



Size	Part Number	Weight	A	B	C	D
In.		Lb.	In.	In.	In.	In.
2	SVOP54DN6RV020	11.3	5.51	1.50	5.59	8.54
3	SVOP54DN6RV030	19.4	7.44	2.00	5.53	10.00

Technical Information

Pressure Temperature Ratings



About ASC Engineered Solutions

ASC Engineered Solutions is defined by quality—in its products, services and support. With more than 1,400 employees, the company's portfolio of precision-engineered piping support, valves and connections provides products to more than 4,000 customers across industries, such as mechanical, industrial, fire protection, oil and gas, and commercial and residential construction. Its portfolio of leading brands includes ABZ Valve®, AFCON®, Anvil®, Anvil EPS, Anvil Services, Basic-PSA, Beck®, Catawissa, Cooplet®, FlexHead®, FPPI®, Gruklok®, J.B. Smith, Merit®, North Alabama Pipe, Quadrant®, SCI®, Sharpe®, SlideLOK®, SPF® and SprinkFLEX®. With headquarters in Commerce, CA, and Exeter, NH, ASC also has ISO 9001:2015 certified production facilities in PA, TN, IL, TX, AL, LA, KS, and RI.



asc-es.com

Building connections that last™

FC-DS-SERIES OP54-v01 20210920

