

Building connections that last™



# Sharpe® Series OP50

Oil Patch Ball Valves  
Datasheet



Oil Patch Carbon Steel Ball Valve  
**Sharpe® Series OP50**

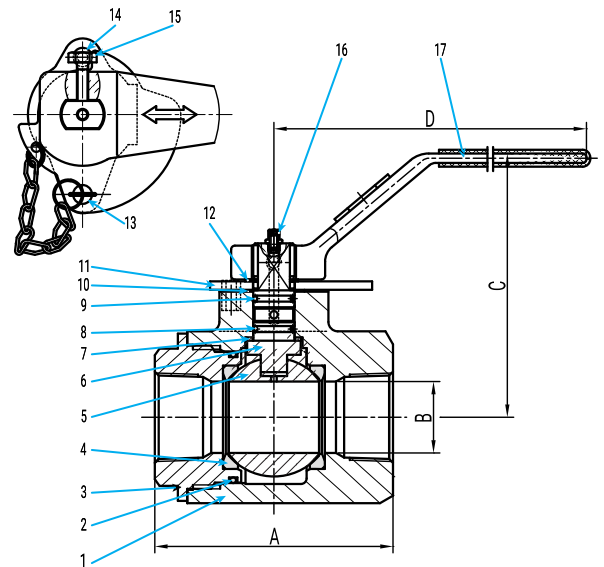


**Fig. OP50CC6DV**  
 Carbon Steel

**Design Features**

- Carbon Steel Body
- 3000 psi
- Full Port
- Two Piece
- Delrin Seats
- Nace MR-01-75-2009 Compliant
- Heavy Duty Locking Device
- Blow-out Proof Stem
- Double O-Ring Stem Seal
- Grease Fitting for Constant Lubrication and Protection Against Corrosion and Moisture

No.	Part	Material
1	Body	WCB
2	Body Seal	Viton
3	Bonnet	WCB
4	Seat	Delrin
5	Ball	AISI 420 Stainless Steel
6	Stem	AISI 420 Stainless Steel
7	Thrust Washer	PTFE
8	Stem Seal	Viton
9	Stem Seal	Viton
10	Stem Packing	PTFE
11	Locating Plate	Steel
12	Clip Spring	Spring Steel
13	Pin with Chain	Copper & Steel
14	Handle Screw	Steel
15	Stop Bolt	Steel
16	Grease Zerk	SS201
17	Handle	Ductile Iron

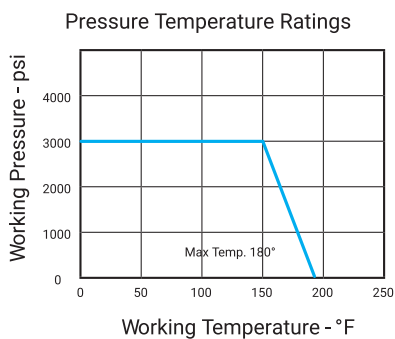


Oil Patch Carbon  
Steel Ball Valve  
**Sharpe® Series OP50**



Size	Part Number	Weight	A	B	C	D
In.		Lb.	In.	In.	In.	In.
1	SVOP50CC6DV010	4.6	4.03	1.00	3.39	6.65
2	SVOP50CC6DV020	18.7	6.00	2.00	5.51	10.00
3	"SVOP50CC6DV030	54.6	8.72	3.00	7.39	20.00

Technical Information



Oil Patch Carbon  
Steel Ball Valve  
**Sharpe® Series OP50**

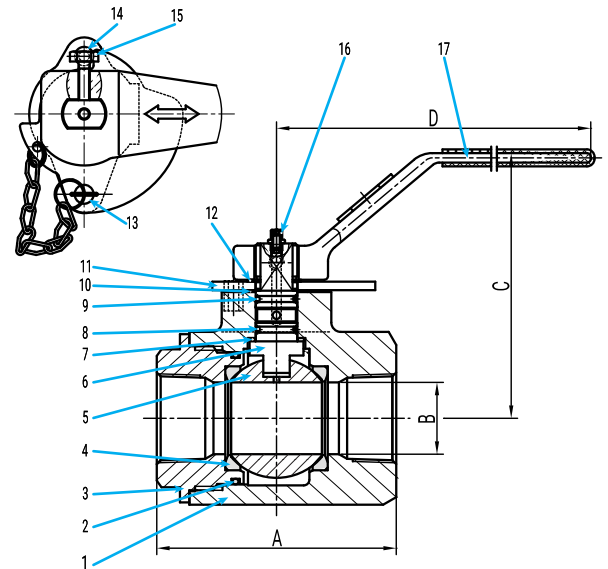


**Fig. OP50CE6DV**  
Carbon Steel

**Design Features**

- Carbon Steel Body
- 5000 psi
- Full Port
- Two Piece
- Delrin Seats
- Nace MR-01-75-2009 Compliant
- Heavy Duty Locking Device
- Blow-out Proof Stem
- Double O-Ring Stem Seal
- Grease Fitting for Constant Lubrication and Protection Against Corrosion and Moisture

No.	Part	Material
1	Body	WCB
2	Body Seal	Viton
3	Bonnet	WCB
4	Seat	Delrin
5	Ball	AISI 420 Stainless Steel
6	Stem	AISI 420 Stainless Steel
7	Thrust Washer	PTFE
8	Stem Seal	Viton
9	Stem Seal	Viton
10	Stem Packing	PTFE
11	Locating Plate	Steel
12	Clip Spring	Spring Steel
13	Pin with Chain	Copper & Steel
14	Handle Screw	Steel
15	Stop Bolt	Steel
16	Grease Zerk	SS201
17	Handle	Ductile Iron



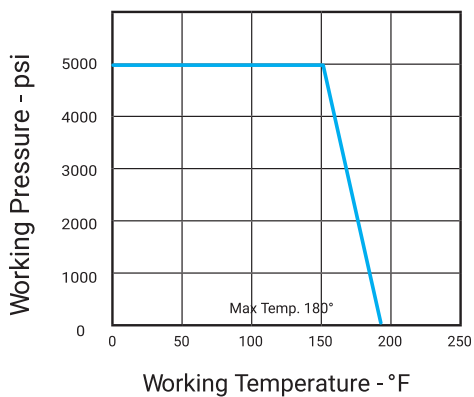
Oil Patch Carbon  
Steel Ball Valve  
**Sharpe® Series OP50**



Size	Part Number	Weight	A	B	C	D
In.		Lb.	In.	In.	In.	In.
1	SVOP50CE6DV010	4.6	4.03	1.00	3.39	6.65

Technical Information

Pressure Temperature Ratings



Oil Patch Ductile  
Iron Ball Valve  
**Sharpe® Series OP50**

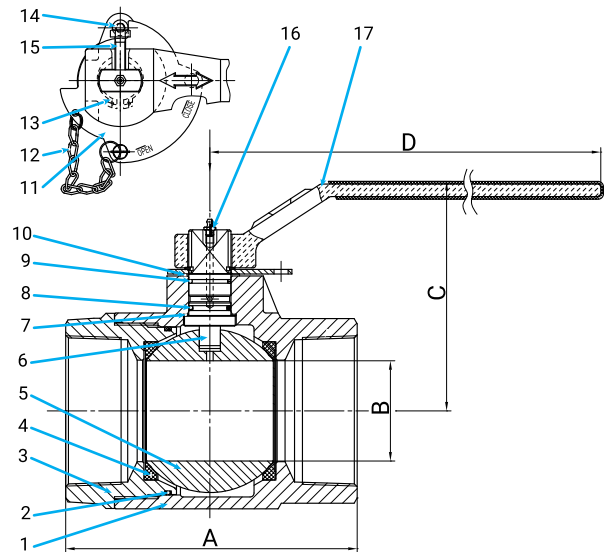


**Fig. OP50DA6RV**  
Ductile Iron

**Design Features**

- Ductile Iron Body
- 1000 psi
- Full Port
- Two Piece
- RPTFE Seats
- Nace MR-01-75-2009 Compliant
- Heavy Duty Locking Device
- Blow-out Proof Stem
- Double O-Ring Stem Seal
- Grease Fitting for Constant Lubrication and Protection Against Corrosion and Moisture

No.	Part	Material
1	Body	Ductile Iron
2	Body Seal	Viton
3	Bonnet	Ductile Iron
4	Seat	RPTFE
5	Ball	AISI 420 Stainless Steel
6	Stem	AISI 420 Stainless Steel
7	Thrust Washer	PTFE
8	Stem Seal	Viton
9	Stem Seal	Viton
10	Stem Packing	PTFE
11	Locating Plate	Steel
12	Clip Spring	Spring Steel
13	Pin with Chain	Copper & Steel
14	Handle Screw	Steel
15	Stop Bolt	Steel
16	Grease Zerk	SS201
17	Handle	Ductile Iron

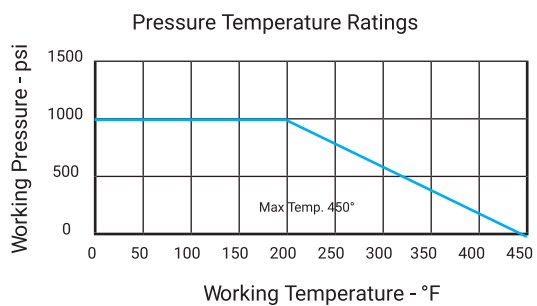


Oil Patch Ductile  
Iron Ball Valve  
**Sharpe® Series OP50**



Size	Part Number	Weight	A	B	C	D
In.		Lb.	In.	In.	In.	In.
1	SVOP50DA6RV010	4.3	4.02	1.00	3.39	6.65
2	SVOP50DA6RV020	18.0	6.00	2.00	5.51	10.00
3	SVOP50DA6RV030	42.3	8.74	3.00	6.87	15.00

Technical Information



Oil Patch Ductile  
Iron Ball Valve  
**Sharpe® Series OP50**

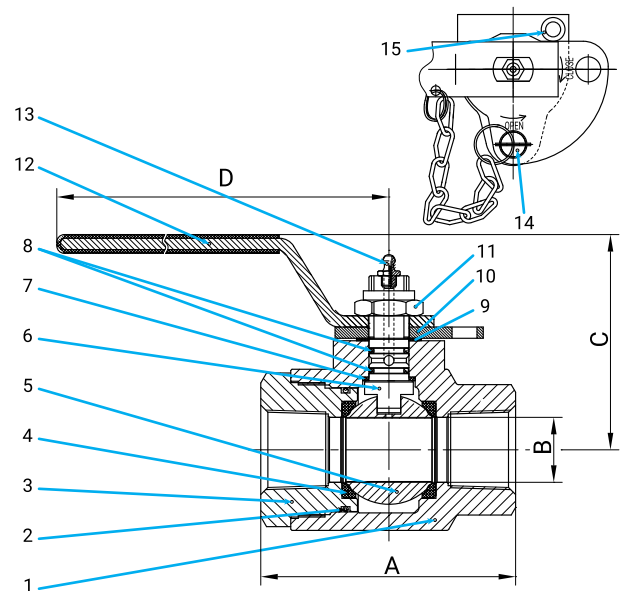


**Fig. OP50DB6RV**  
Ductile Iron

**Design Features**

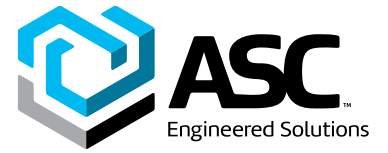
- Ductile Iron Body
- 2000 psi
- Full Port
- RPTFE Seats
- Nace MR-01-75-2009 Compliant
- Heavy Duty Locking Device
- Blow-out Proof Stem
- Double O-Ring Stem Seal
- Grease Fitting for Constant Lubrication and Protection Against Corrosion and Moisture

No.	Part	Material
1	Body	Ductile Iron
2	Body Seal	Viton
3	Bonnet	Ductile Iron
4	Seat	RPTFE
5	Ball	AISI 420 Stainless Steel
6	Stem	AISI 420 Stainless Steel
7	Thrust Washer	PTFE
8	Stem Seal	Viton
9	Thrust Washer	PTFE
10	Locating Plate	Steel
11	Stem Nut	Steel
12	Handle	Carbon Steel
13	Grease Zerk	SS201
14	Pin with Chain	Copper & Steel
15	Stop Bolt	Steel



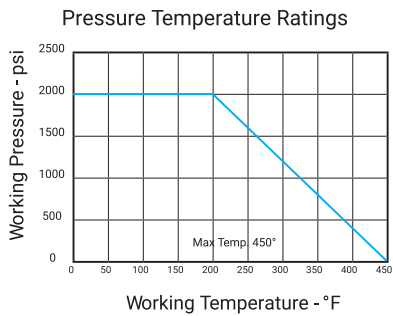


Oil Patch Ductile  
Iron Ball Valve  
**Sharpe® Series OP50**



Size	Part Number	Weight	A	B	C	D
In.		Lb.	In.	In.	In.	In.
¾	SVOP50DB6RV006	4.0	3.78	0.79	3.31	6.65
1	SVOP50DB6RV010	4.3	4.00	1.00	3.39	6.65
1-½	SVOP50DB6RV014	12.3	5.51	01.5	5.59	8.54
2	SVOP50DB6RV020	18.0	6.02	2.00	5.86	10.00
2-½	SVOP50DB6RV024	29.0	7.00	2.56	6.30	15.00
3	SVOP50DB6RV030	42.3	8.74	3.00	6.22	15.00
4	SVOP50DB6RV040	67.6	9.40	3.94	6.77	29.53

Technical Information



### **About ASC Engineered Solutions**

ASC Engineered Solutions is defined by quality—in its products, services and support. With more than 1,400 employees, the company's portfolio of precision-engineered piping support, valves and connections provides products to more than 4,000 customers across industries, such as mechanical, industrial, fire protection, oil and gas, and commercial and residential construction. Its portfolio of leading brands includes ABZ Valve®, AFCON®, Anvil®, Anvil EPS, Anvil Services, Basic-PSA, Beck®, Catawissa, Cooplet®, FlexHead®, FPPI®, Grevlok®, J.B. Smith, Merit®, North Alabama Pipe, Quadrant®, SCI®, Sharpe®, SlideLOK®, SPF® and SprinkFLEX®. With headquarters in Commerce, CA, and Exeter, NH, ASC also has ISO 9001:2015 certified production facilities in PA, TN, IL, TX, AL, LA, KS, and RI.



[asc-es.com](http://asc-es.com)

Building connections that last™

FC-DS-SERIES OP50-v01 20210917

