

Building connections that last™

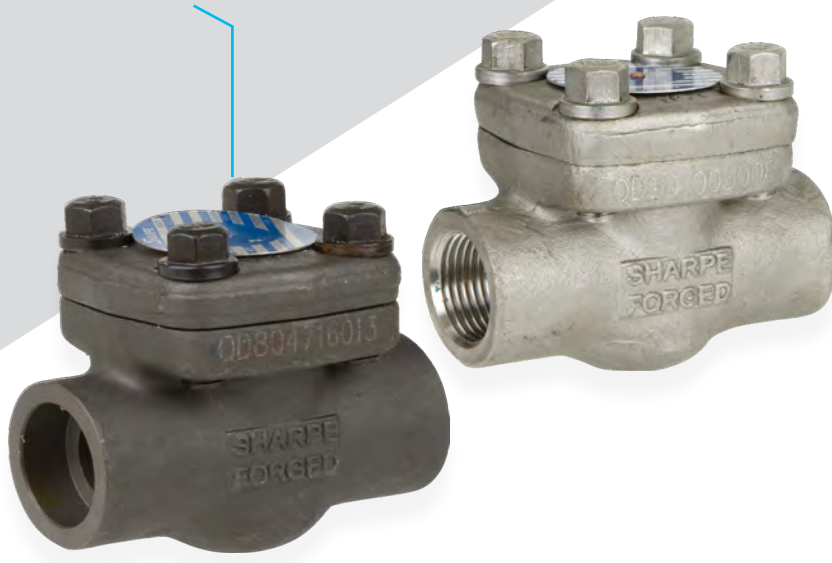


# Series 2483

Forged, ASME Class 800,  
Piston Check Valve Datasheet



Forged, ASME Class 800,  
Piston Check Valves  
Series 2483



**Design Features**

- ASME Class 800
- Forged ASTM A182 F316L stainless steel or Forged ASTM A105N carbon steel
- Socket weld ends or threaded ends
- Bolted bonnet
- NACE MR-0175

**Applicable Standards**

- Basic Design: API 602 (9<sup>th</sup> Edition) & ASME B16.34
- Socket Weld Ends per ASME B16.11
- End-to-End dimension conforms to manufacturer's standard
- Threaded Ends per ASME B1.20.1
- Test: API 598

**Flow Data and Weight**

| Size | C <sub>v</sub> | Weight (Lbs.) |
|------|----------------|---------------|
| ¼    | 1.5            | 3.4           |
| ⅜    | 2              | 3.3           |
| ½    | 2              | 3.3           |
| ¾    | 3              | 3.9           |
| 1    | 6              | 5.8           |
| 1-¼  | 14             | 8.4           |
| 1-½  | 14             | 9.2           |
| 2    | 25             | 19.8          |

**Valve Rating**

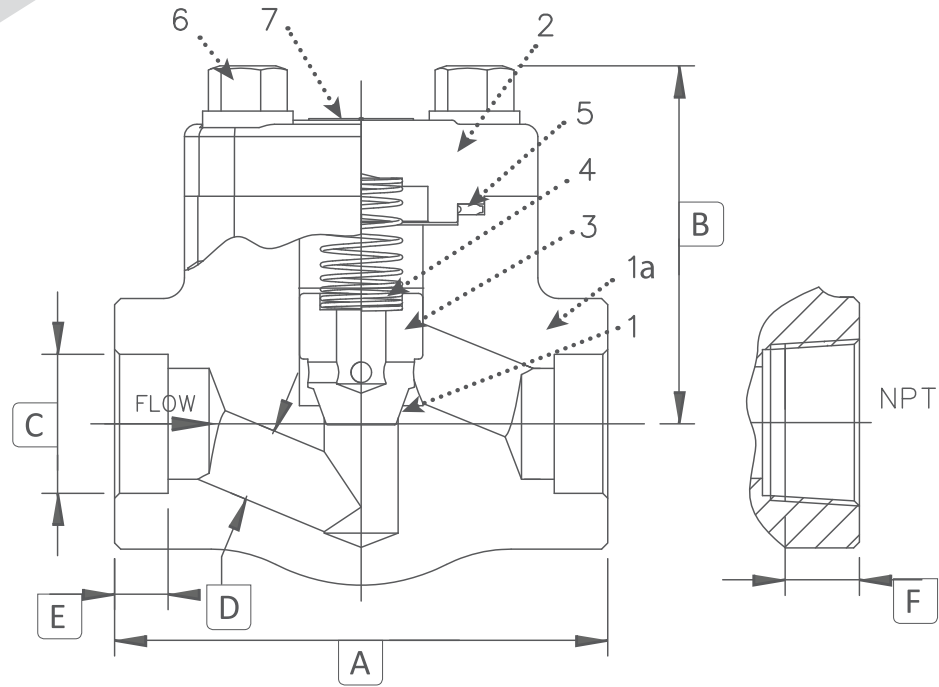
| Temperature °F | 316L SS Pressure psi | Forged Steel Pressure psi |
|----------------|----------------------|---------------------------|
| -20 to 100     | 1600                 | 1975                      |
| 200            | 1365                 | 1810                      |
| 300            | 1215                 | 1745                      |
| 400            | 1120                 | 1690                      |
| 500            | 1050                 | 1610                      |
| 600            | 990                  | 1515                      |
| 650            | 975                  | 1465                      |
| 700            | 960                  | 1415                      |
| 750            | 940                  | 1350                      |
| 800            | 920                  | 1100                      |
| 850            | 900                  | -                         |



asc-es.com

Building connections that last™

Forged, ASME Class 800,  
Piston Check Valves  
Series 2483



**Parts & Materials**

| No. | Part Name    | Qty. | Material   |
|-----|--------------|------|--|
| 1   | Body         | 1    | Forged Stainless Steel<br>ASTM A182 F316L stainless steel  |
| 1A  | Seat Surface | 1    | Stellite<br>Stellite                                       |
| 2   | Cover        | 1    | ASTM A182 F316L stainless steel<br>ASTM A105N carbon steel |
| 3   | Piston       | 1    | 316 Stainless Steel<br>410 Stainless Steel                 |
| 4   | Spring       | 1    | 316 Stainless Steel<br>316 Stainless Steel                 |
| 5   | Gasket       | 1    | 316 SS + Graphite<br>304 SS + Graphite                     |
| 6   | Body Bolt    | 4    | ASTM A193 Grade B8M<br>ASTM A193 B7M                       |
| 7   | Name Plate   | 1    | Aluminum<br>Aluminum                                       |

**Dimensions (Inches)**

| Size | A    | B    | C    | D    | E    | F    |
|------|------|------|------|------|------|------|
| ¼    | 3.11 | 2.40 | 0.55 | 0.24 | 0.39 | 0.40 |
| ⅜    | 3.11 | 2.40 | 0.69 | 0.28 | 0.39 | 0.43 |
| ½    | 3.11 | 2.40 | 0.85 | 0.39 | 0.39 | 0.53 |
| ¾    | 3.58 | 2.40 | 1.07 | 0.51 | 0.51 | 0.55 |
| 1    | 4.37 | 3.07 | 1.33 | 0.71 | 0.51 | 0.69 |
| 1-¼  | 4.72 | 3.35 | 1.68 | 0.87 | 0.51 | 0.71 |
| 1-½  | 5.98 | 4.02 | 1.92 | 1.18 | 0.51 | 0.72 |
| 2    | 6.77 | 4.72 | 2.40 | 1.38 | 0.63 | 0.76 |

**Note:**  
End-to-End dimension conforms to manufacturer's standard.

Forged, ASME Class 800,  
Piston Check Valves  
**Series 2483**



## How to Order Series 2483

| <b>1</b> | <b>2483</b> | <b>-</b> | <b>6</b>                    | <b>-</b> | <b>TE</b>      |
|----------|-------------|----------|-----------------------------|----------|----------------|
| Size     | Series      |          | Body                        |          | Ends           |
| Size     | Series      |          | Body                        |          | Ends           |
| 1/4      | 2483        |          | 4 Forged Steel (Trim 8)     |          | TE Threaded    |
| 3/8      |             |          | 6 Stainless Steel (Trim 12) |          | SW Socket Weld |
| 1/2      |             |          |                             |          |                |
| 3/4      |             |          |                             |          |                |
| 1        |             |          |                             |          |                |
| 1-1/4    |             |          |                             |          |                |
| 1-1/2    |             |          |                             |          |                |
| 2        |             |          |                             |          |                |

**Note:**

Responsibility for proper selection, use and maintenance of any product remains solely with the purchaser and end user.  
We reserve the right to modify or improve the designs or specifications of any product at any time without notice.

### **About ASC Engineered Solutions**

ASC Engineered Solutions is defined by quality—in its products, services and support. With more than 1,400 employees, the company's portfolio of precision-engineered piping support, valves and connections provides products to more than 4,000 customers across industries, such as mechanical, industrial, fire protection, oil and gas, and commercial and residential construction. Its portfolio of leading brands includes ABZ Valve®, AFCON®, Anvil®, Anvil EPS, Anvil Services, Basic-PSA, Beck®, Catawissa, Cooplet®, FlexHead®, FPPI®, Gruklok®, J.B. Smith, Merit®, North Alabama Pipe, Quadrant®, SCI®, Sharpe®, SlideLOK®, SPF® and SprinkFLEX®. With headquarters in Commerce, CA, and Exeter, NH, ASC also has ISO 9001:2015 certified production facilities in PA, TN, IL, TX, AL, LA, KS, and RI.



[asc-es.com](http://asc-es.com)

Building connections that last™

FC-DS-Series-2483-v02 20230113

