

Building connections that last™

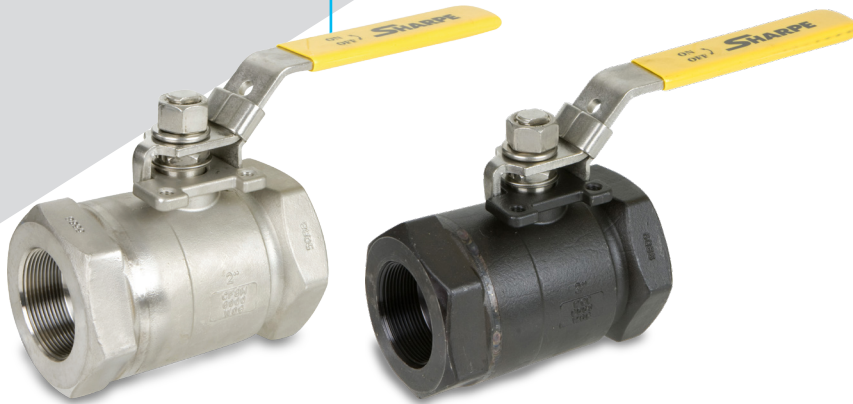


# Sharpe® Series 50F7

6000# Seal Weld Ball  
Valve Datasheet



# 6000# Seal Weld Ball Valve Sharpe® Series 50F7



## Design Features

- 6000 CWP
- Carbon Steel ASTM A216 WCB  
316 Stainless Steel ASTM A351 CF8M
- Threaded Ends with Delrin Seats and PTFE Seals
- Live Loaded, Blow-Out Proof Stem
- Anti-Static Device
- Mounting Pad
- Lockable Lever Handle

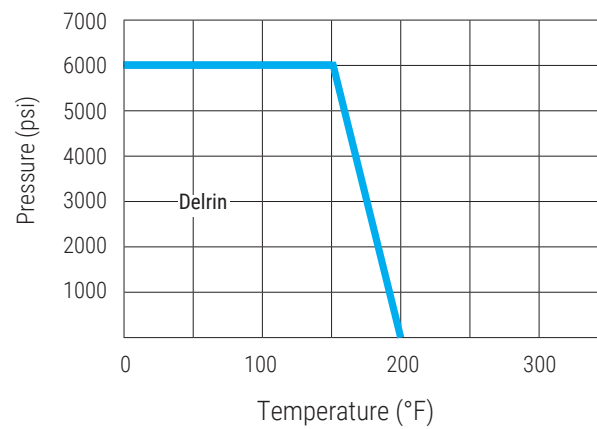
## Applicable Standards

- Mounting Dimensions: ISO 5211
- Threaded Ends: ASME B16.11
- Shell and Seat Pressure Test: ASME B16.34
- NACE (2002, wetted parts only): MR-0175

## Technical Information

Size	Port Size	C <sub>v</sub>	Weight (Lbs.)
¼	0.37	7	1.2
⅜	0.37	8	1.2
½	0.49	10	1.5
¾	0.79	35	2.8
1	0.99	68	4.9
1-¼	1.26	110	7.4
1-½	1.50	155	12.1
2	1.50	155	14.8

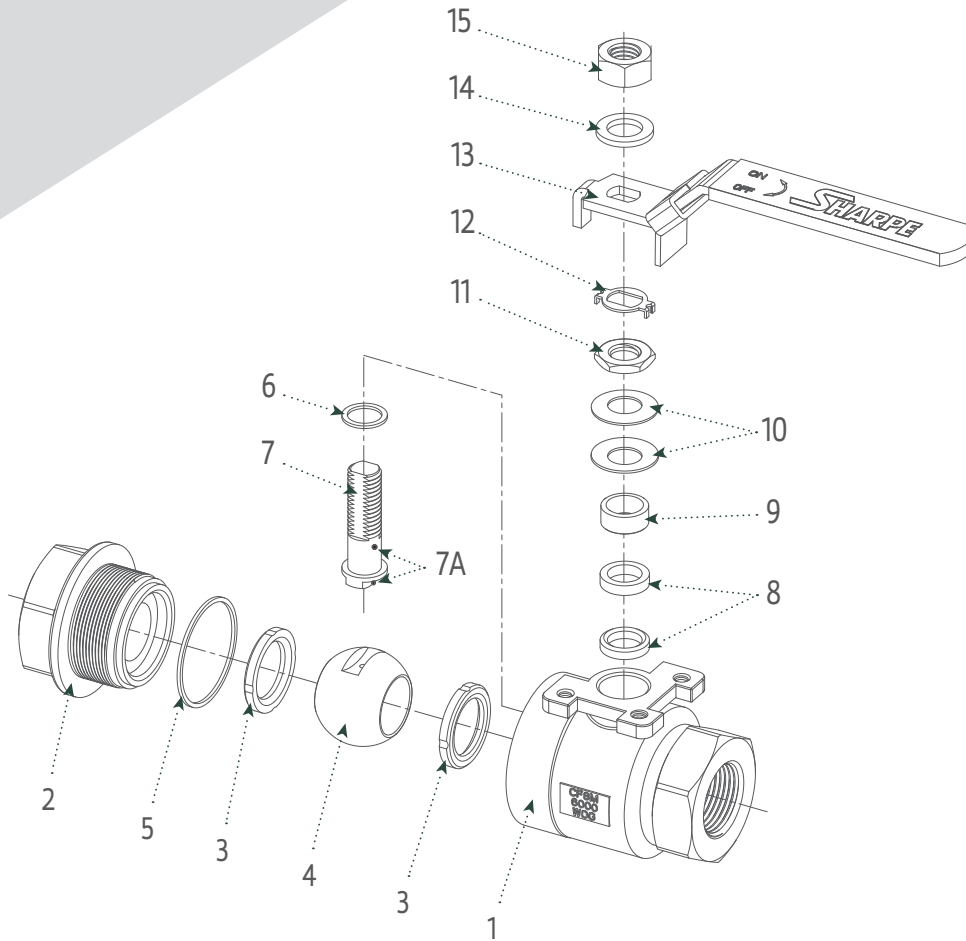
Pressure - Temperature Ratings



asc-es.com

Building connections that last™

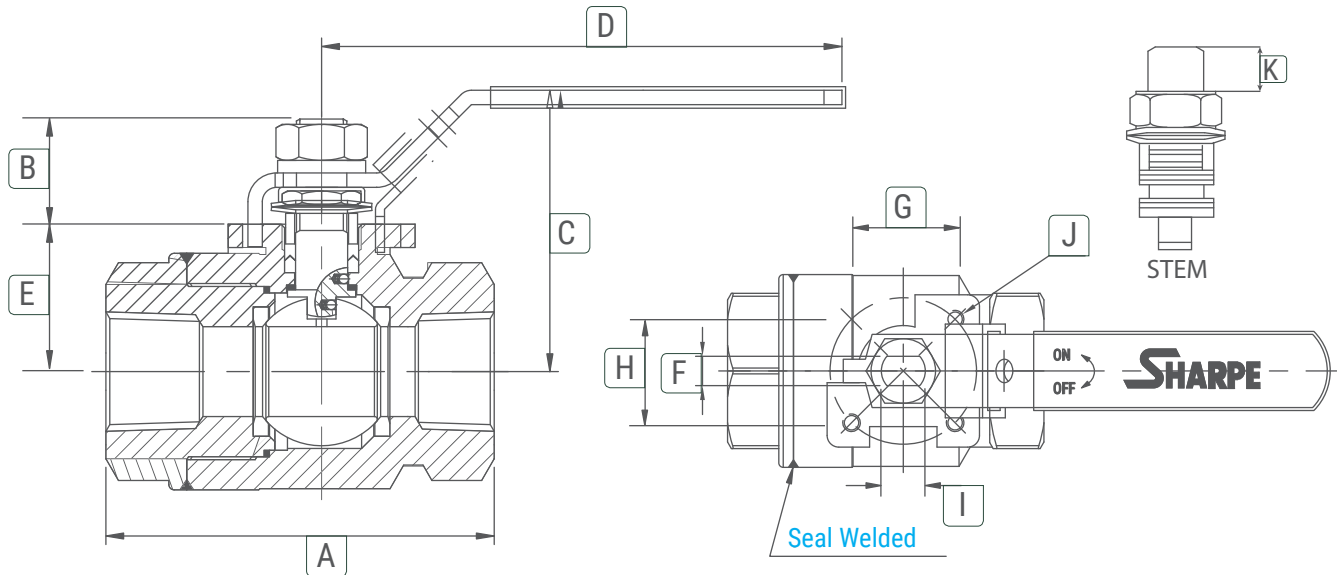
# 6000# Seal Weld Ball Valve Sharpe® Series 50F7



## Parts & Materials

No.	Part Name	Material	Qty.
1	Body	Carbon Steel ASTM A216 WCB or 316 Stainless Steel ASTM A351 CF8M	1
2	End Piece	Carbon Steel ASTM A216 WCB or 316 Stainless Steel ASTM A351 CF8M	1
3	Seat	Delrin	2
4	Ball	316 Stainless Steel ASTM A351 CF8M	1
5	Body Seal	PTFE	1
6	Thrust Bearing	PTFE	1
7	Stem	17-4 PH	1
7A	Anti-static Device	316 Stainless Steel	1
8	Stem Packing	PTFE	2
9	Gland Packing	300 Series Stainless Steel	1
10	Belleville Washer	300 Series Stainless Steel	2
11	Packing Nut	300 Series Stainless Steel	1
12	Lock Tab	300 Series Stainless Steel	1
13	Handle	300 Series Stainless Steel	1
14	Lock Washer	300 Series Stainless Steel	1
15	Handle Nut	300 Series Stainless Steel	1

6000# Seal Weld Ball Valve  
 Sharpe® Series 50F7



**Dimensions (Inches)**

Size	A	B	C	D	E	F	G	I	J	K
¼	2.80	0.50	2.42	4.17	0.96	0.20	F03 (1.41)	0.31	M5	0.23
⅜	2.80	0.50	2.42	4.17	0.96	0.20	F03 (1.41)	0.31	M5	0.23
½	3.19	0.50	2.42	4.17	0.96	0.20	F03 (1.41)	0.31	M5	0.23
¾	3.78	0.83	2.60	5.06	1.24	0.28	F04 (1.65)	0.39	M5	0.45
1	4.25	1.14	3.08	6.50	1.61	0.39	F05 (1.96)	0.55	M6	0.75
1-¼	4.72	1.19	3.27	6.50	1.80	0.39	F05 (1.96)	0.55	M6	0.79
1-½	5.12	1.56	4.38	8.58	2.39	0.47	F07 (2.76)	0.75	M8	1.06
2	5.91	1.56	4.38	8.58	2.39	0.47	F07 (2.76)	0.75	M8	1.06

6000# Seal Weld Ball Valve  
**Sharpe® Series 50F7**



How to order Series 50F7

**Example:** 1-1/2 + 50F7 + 4 + 7 + = 1-1/2" - 50F7 - 4 - 7  
 Size Series Body Stem

Size	Series	Body	Stem
1/4	50F7	4 Carbon Steel 6 Stainless Steel	7 17-4PH
3/8			
1/2			
3/4			
1			
1-1/4			
1-1/2			
2			

**Note:**  
 Due to continuous development of our product range, we reserve the right to change the dimensions and information for this product as required.

### **About ASC Engineered Solutions**

ASC Engineered Solutions is defined by quality—in its products, services and support. With more than 1,400 employees, the company's portfolio of precision-engineered piping support, valves and connections provides products to more than 4,000 customers across industries, such as mechanical, industrial, fire protection, oil and gas, and commercial and residential construction. Its portfolio of leading brands includes ABZ Valve®, AFCON®, Anvil®, Anvil EPS, Anvil Services, Basic-PSA, Beck®, Catawissa, Cooplet®, FlexHead®, FPPI®, Gruklok®, J.B. Smith, Merit®, North Alabama Pipe, Quadrant®, SCI®, Sharpe®, SlideLOK®, SPF® and SprinkFLEX®. With headquarters in Commerce, CA, and Exeter, NH, ASC also has ISO 9001:2015 certified production facilities in PA, TN, IL, TX, AL, LA, KS, and RI.



[asc-es.com](http://asc-es.com)

Building connections that last™

FC-DS-SERIES-50F7-v01 20211103

