

Building connections that last™



Sharpe® Series 50C7

3000# Seal Weld Ball Valve Datasheet



3000# Seal Weld Ball Valve Sharpe® Series 50C7



Design Features

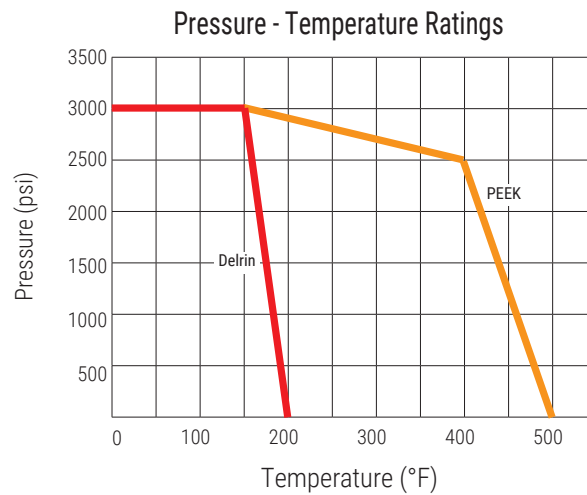
- 3000 CWP
- Carbon Steel ASTM A216 WCB or 316 Stainless Steel ASTM A351 CF8M
- Threaded Ends with Delrin Seats and PTFE Seals or Socket Weld Ends with PEEK Seats and Graphite Seals
- Live Loaded, Blow-Out Proof Stem
- Anti-Static Device
- Mounting Pad
- Lockable Lever Handle

Applicable Standards

- Mounting Dimensions (½" – 2"): ISO 5211
- Socket Weld and Threaded Ends: ASME B16.11
- Shell and Seat Pressure Test: ASME B16.34
- NACE: MR-0175 2002

Technical Information

| Size | C _v | Weight (Lbs.) |
|------|----------------|---------------|
| ¼ | 7 | 0.88 |
| ⅜ | 8 | 0.84 |
| ½ | 10 | 1.06 |
| ¾ | 35 | 2.14 |
| 1 | 68 | 3.66 |
| 1¼ | 110 | 5.38 |
| 1½ | 155 | 8.86 |
| 2 | 155 | 10.14 |
| 3 | 750 | 37 |

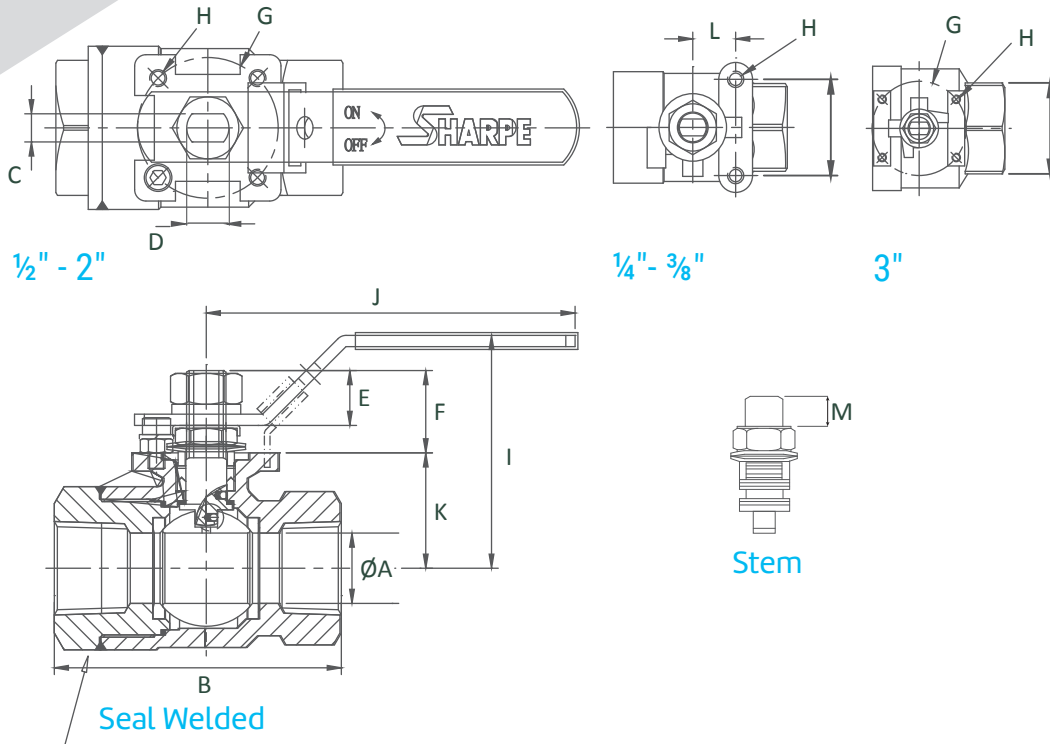


asc-es.com

Building connections that last™



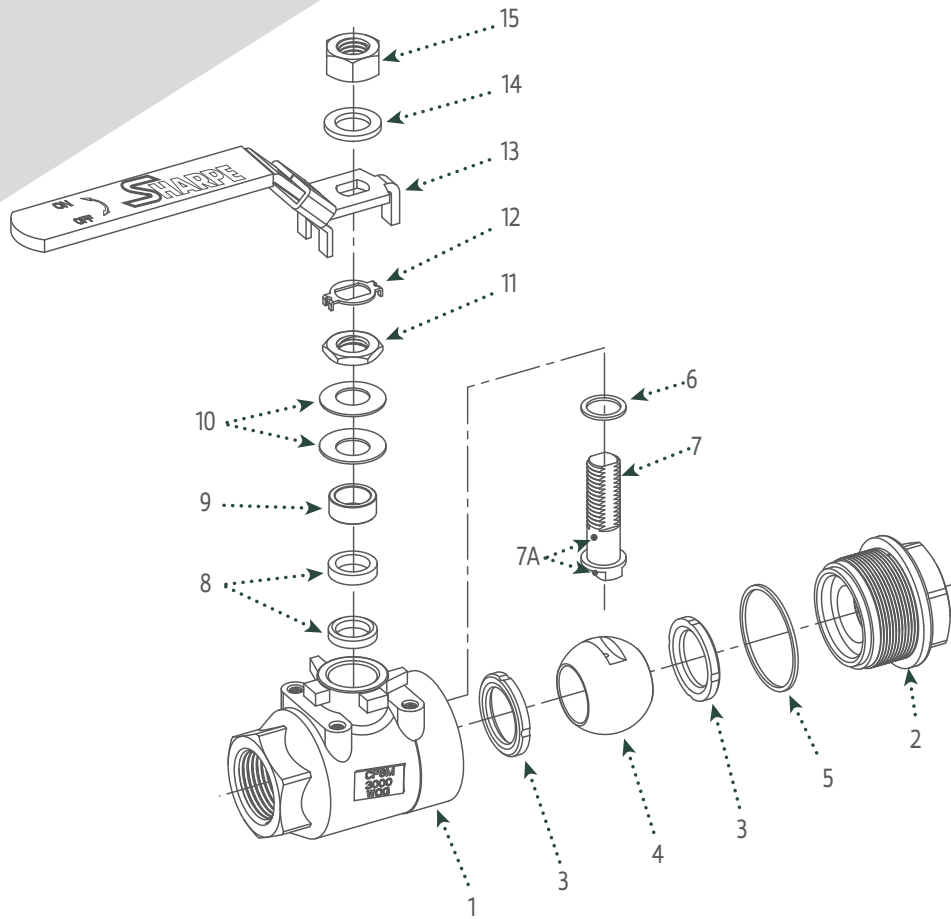
3000# Seal Weld Ball Valve
 Sharpe® Series 50C7



Dimensions (Inches)

| Size | ØA | B | C | D | E | F | G | H | I | J | K | L | M |
|------|------|------|------|------|------|------|------------|-----|------|-------|------|------|------|
| ¼ | 0.37 | 2.52 | 0.20 | 0.31 | 0.31 | 0.57 | - | M5 | 2.19 | 3.70 | 0.94 | 0.93 | 0.31 |
| ⅜ | 0.37 | 2.52 | 0.20 | 0.31 | 0.31 | 0.57 | - | M5 | 2.19 | 3.70 | 0.94 | 0.93 | 0.31 |
| ½ | 0.49 | 2.83 | 0.20 | 0.31 | 0.31 | 0.54 | F03 (1.42) | M5 | 2.17 | 5.31 | 0.96 | 0.96 | 0.29 |
| ¾ | 0.79 | 3.50 | 0.33 | 0.47 | 0.42 | 0.73 | F04 (1.65) | M5 | 2.62 | 6.50 | 1.32 | 1.32 | 0.41 |
| 1 | 0.98 | 4.02 | 0.39 | 0.55 | 0.77 | 1.14 | F05 (1.97) | M6 | 3.25 | 6.89 | 1.61 | 1.61 | 0.75 |
| 1-¼ | 1.26 | 4.57 | 0.39 | 0.55 | 0.83 | 1.20 | F05 (1.97) | M6 | 3.44 | 6.89 | 1.79 | 1.79 | 0.79 |
| 1-½ | 1.50 | 4.88 | 0.47 | 0.75 | 1.18 | 1.36 | F07 (2.76) | M8 | 4.61 | 9.57 | 2.39 | 2.39 | 1.06 |
| 2 | 1.50 | 5.51 | 0.47 | 0.75 | 1.18 | 1.36 | F07 (2.76) | M8 | 4.61 | 9.57 | 2.39 | 2.39 | 1.06 |
| 3 | 3.15 | 8.07 | 0.63 | 0.98 | 1.34 | 2.58 | F10 (4.02) | M10 | 6.04 | 14.57 | 3.31 | 3.96 | 1.34 |

3000# Seal Weld Ball Valve Sharpe® Series 50C7



Parts & Materials

| No. | Part Name | Material | Qty. |
|-----|--------------------|--|------|
| 1 | Body | Carbon Steel ASTM A216 WCB or 316 Stainless Steel ASTM A351 CF8M | 1 |
| 2 | End Piece | Carbon Steel ASTM A216 WCB or 316 Stainless Steel ASTM A351 CF8M | 1 |
| 3 | Seat | Delrin (TE) / PEEK (SW) | 2 |
| 4 | Ball | 316 Stainless Steel ASTM A351 CF8M | 1 |
| 5 | Body Seal | PTFE (TE)/ Graphite (SW) | 1 |
| 6 | Thrust Bearing | PTFE (TE)/ PEEK (SW) | 1 |
| 7 | Stem | 17-4PH | 1 |
| 7A | Anti-Static Device | 316 Stainless Steel ASTM A276 | 2 |
| 8 | Stem Packing | PTFE / Graphite | 1 |
| 9 | Gland Packing | 300 Series Stainless Steel | 1 |
| 10 | Belleville Washer | 300 Series Stainless Steel | 2 |
| 11 | Packing Nut | 300 Series Stainless Steel | 1 |
| 12 | Lock Tab | 300 Series Stainless Steel | 1 |
| 13 | Handle | 300 Series Stainless Steel | 1 |
| 14 | Lock Washer | 300 Series Stainless Steel | 1 |
| 15 | Handle Nut | 300 Series Stainless Steel | 1 |
| 16 | Handle Sleeve | PVC | 1 |

3000# Seal Weld Ball Valve

Sharpe® Series 50C7



How to order Series 50C7

Example: $\frac{1}{4}$ + 50C7 + 6 + 7 + P + G + SW = $\frac{1}{4}$ " - 50C7 - 6 - 7 - P GSW

Size Series Body Stem Seat Seal End

| Size | Series | Body | Stem | Seat | Seal | End |
|------------------|--------|-------------------|----------|-------------|------------|-------------|
| $\frac{1}{4}$ | 50C7 | | 7 17-4PH | | T PTFE | |
| $\frac{3}{8}$ | | Body | | Seat | G Graphite | |
| $\frac{1}{2}$ | | 4 Carbon Steel | | D Delrin | | End |
| $\frac{3}{4}$ | | 6 Stainless Steel | | P Peek | | TE Threaded |
| 1 | | | | | | SW Socket |
| 1- $\frac{1}{4}$ | | | | | | |
| 1- $\frac{1}{2}$ | | | | | | |
| 2 | | | | | | |
| 3 | | | | | | |

Note:

Due to continuous development of our product range, we reserve the right to change the dimensions and information for this product as required.

About ASC Engineered Solutions

ASC Engineered Solutions is defined by quality—in its products, services and support. With more than 1,400 employees, the company's portfolio of precision-engineered piping support, valves and connections provides products to more than 4,000 customers across industries, such as mechanical, industrial, fire protection, oil and gas, and commercial and residential construction. Its portfolio of leading brands includes ABZ Valve®, AFCON®, Anvil®, Anvil EPS, Anvil Services, Basic-PSA, Beck®, Catawissa, Cooplet®, FlexHead®, FPPI®, Gruklok®, J.B. Smith, Merit®, North Alabama Pipe, Quadrant®, SCI®, Sharpe®, SlideLOK®, SPF® and SprinkFLEX®. With headquarters in Commerce, CA, and Exeter, NH, ASC also has ISO 9001:2015 certified production facilities in PA, TN, IL, TX, AL, LA, KS, and RI.



asc-es.com

Building connections that last™

FC-DS-SERIES-50C7-v01 20211103

