

Building connections that last™



Sharpe® Series 50B

Seal Weld Ball Valve Datasheet



Seal Weld Ball Valve Sharpe® Series 50B



Design Features

- Full Port
- 2000 CWP rating (¼" - 2")
1500 CWP rating (2 ½" & 3")
- 150 WSP
- Carbon Steel ASTM A216 WCB
316 Stainless Steel ASTM A351 CF8M
- Threaded Ends
- Blow Out Proof Stem
- Lockable Lever Handle

Applicable Standards

- Threaded Ends: ASME B16.10
- Shell and Seat Pressure Test: ASME B16.34
- NACE: MR-0175

Options

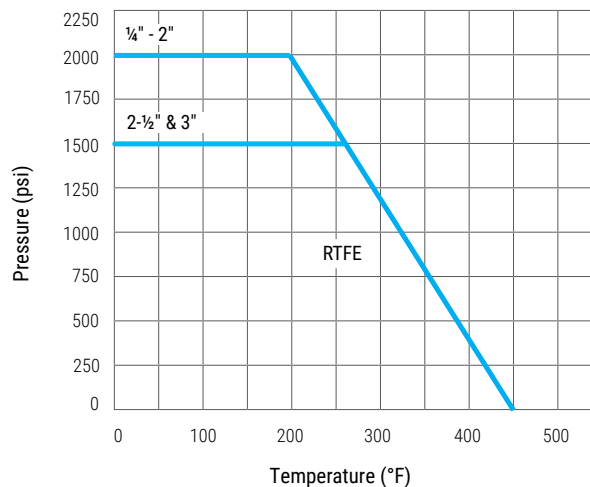
- Lockable Oval Handle
- Non-Locking Stem Extension

Technical Information

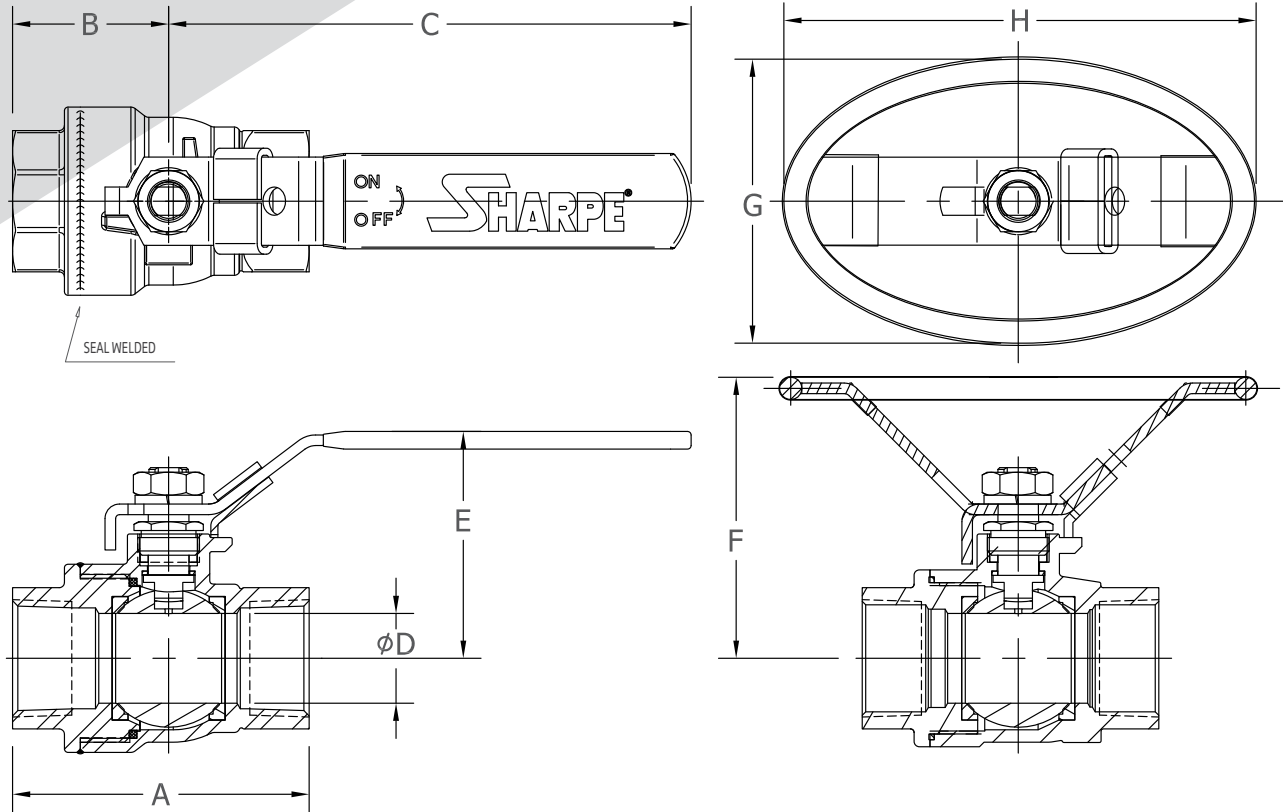
Size	C _v	Weight (Lbs.)
¼	6	0.6
⅜	6	0.4
½	24	0.6
¾	35	1.1
1	47	1.8
1-¼	81	3.0
1-½	105	4.2
2	241	8.0
2-½	319	14.0
3	580	22.8

Note:
C_v values represent the flow of water at +60°F through the valve in U.S. gallons per minute at a pressure drop of 1 psi. The metric equivalent, K_v, is the flow of water at +16°C through the valve in cubic meters per hour at a pressure drop of 1 kg/cm². To convert C_v to K_v, multiply by 0.8569.

Pressure - Temperature Ratings



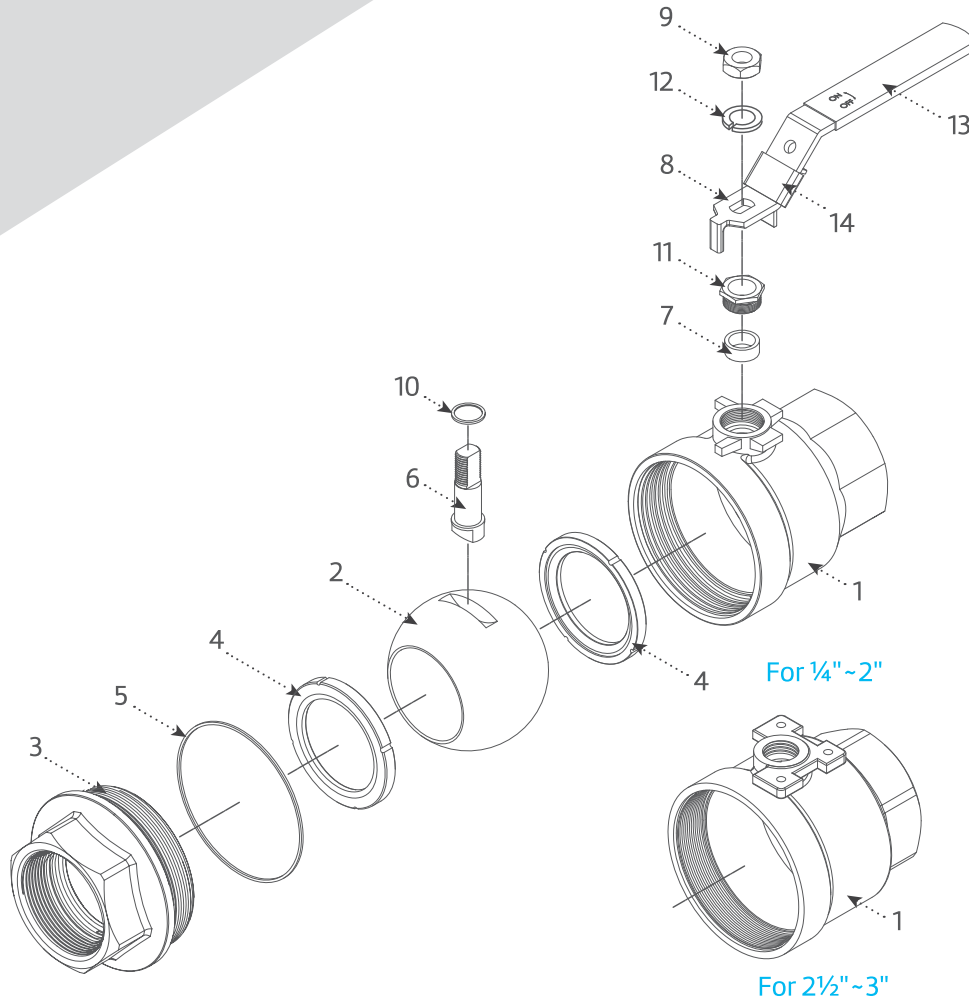
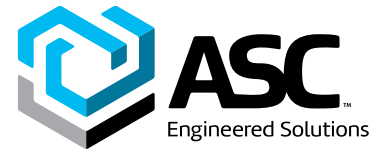
Seal Weld Ball Valve Sharpe® Series 50B



Dimensions (Inches)

Size	A	B	C	ØD	E	F	G	H
¼	2.00	1.02	4.00	0.50	1.81	2.24	2.16	3.39
⅜	2.00	1.02	4.00	0.50	1.81	2.24	2.16	3.39
½	2.36	1.17	4.00	0.59	1.89	2.26	2.16	3.39
¾	2.75	1.48	5.00	0.80	2.04	2.90	2.76	4.33
1	3.25	1.74	5.75	1.00	2.44	3.20	3.18	5.26
1-¼	3.80	1.91	5.75	1.25	2.56	3.40	3.18	5.26
1-½	4.33	2.17	7.50	1.50	2.96	4.20	4.13	6.47
2	5.27	2.64	7.50	2.00	3.25	4.51	4.13	6.47
2-½	6.58	3.28	9.73	2.56	5.00	-	-	-
3	7.55	3.78	9.73	3.00	5.40	-	-	-

Seal Weld Ball Valve Sharpe® Series 50B



Parts & Materials

No.	Part Name	Material	Qty.
1	Body	Carbon Steel ASTM A216 WCB or 316 Stainless Steel ASTM A351 CF8M	1
2	Ball	316 Stainless Steel	1
3	End Piece	Carbon Steel ASTM A216 WCB or 316 Stainless Steel ASTM A351 CF8M	1
4	Seat	RTFE	2
5	Body Seal	RTFE	1
6	Stem	316 Stainless Steel	1
7	Stem Packing	RTFE	1 Set
8	Handle	300 Series Stainless Steel	1
9	Handle Nut	300 Series Stainless Steel	1
10	Thrust Bearing	RTFE	1
11	Packing Nut	300 Series Stainless Steel	1
12	Lock Washer	300 Series Stainless Steel	1
13	Handle Sleeve	PVC	1
14	Locking Device	300 Series Stainless Steel	1

Seal Weld Ball Valve Sharpe® Series 50B



How to order Series 50B

Example: ¼ 50B-74-OH

¼	50B	-	7	4	-	OH
Size	Series			Body Material		Suffixes & Options
Size	Series			Body Material		Suffixes & Options
¼	50B			4 Carbon Steel, ASTM A216 WCB		OH Oval Handle, Lockable
⅜				6 316 Stainless Steel, ASTM A351 CF8M		NLS 2-½" Stem Extension, Non-Locking
½						
¾						
1						
1-¼						
1-½						
2						
2-½						
3						

Note:

Responsibility for proper selection, use and maintenance of any product remains solely with the purchaser and end user. We reserve the right to modify or improve the designs or specifications of any product, at any time without notice.



About ASC Engineered Solutions

ASC Engineered Solutions is defined by quality—in its products, services and support. With more than 1,400 employees, the company's portfolio of precision-engineered piping support, valves and connections provides products to more than 4,000 customers across industries, such as mechanical, industrial, fire protection, oil and gas, and commercial and residential construction. Its portfolio of leading brands includes ABZ Valve®, AFCON®, Anvil®, Anvil EPS, Anvil Services, Basic-PSA, Beck®, Catawissa, Cooplet®, FlexHead®, FPPI®, Gruvlok®, J.B. Smith, Merit®, North Alabama Pipe, Quadrant®, SCI®, Sharpe®, SlideLOK®, SPF® and SprinkFLEX®. With headquarters in Commerce, CA, and Exeter, NH, ASC also has ISO 9001:2015 certified production facilities in PA, TN, IL, TX, AL, LA, KS, and RI.



asc-es.com

Building connections that last™

FC-DS-Series-50B7-v04 20220524

