

Building connections that last™



Sharpe® Series 3903

Three-Piece Ball Valve Datasheet



Three-Piece Ball Valve Sharpe® Series 3903



Design Features

- Full Port
- 1000 CWP
- Carbon Steel ASTM A216 WCB or 316 Stainless Steel ASTM A351 CF8M
- Threaded or Socket Weld* Ends
- Blow-Out Proof Stem
- Lockable Lever

Applicable Standards

- Socket Weld and Threaded Ends: ASME B16.11
- Shell and Seat Tests: ASME B16.34

Options

- Lockable Oval Handle
- Stem Extensions, Non-Locking

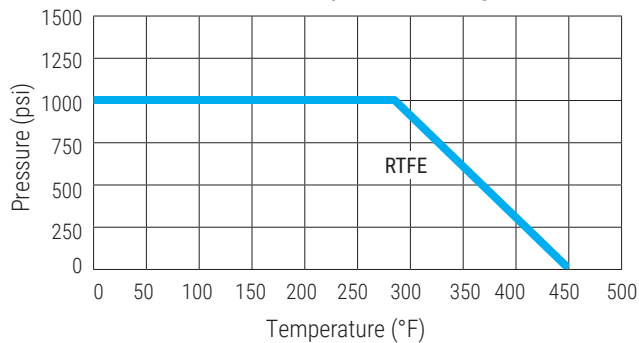
Note:

*Valves with Welded Ends supplied with extra set of PTFE Body Seals.

Technical Information

Size	Cv	Weight (lbs)
¼	20	0.6
⅜	25	0.6
½	28	1.0
¾	50	1.4
1	70	1.8
1-¼	112	2.8
1-½	170	4.2
2	395	7.3

Pressure - Temperature Ratings

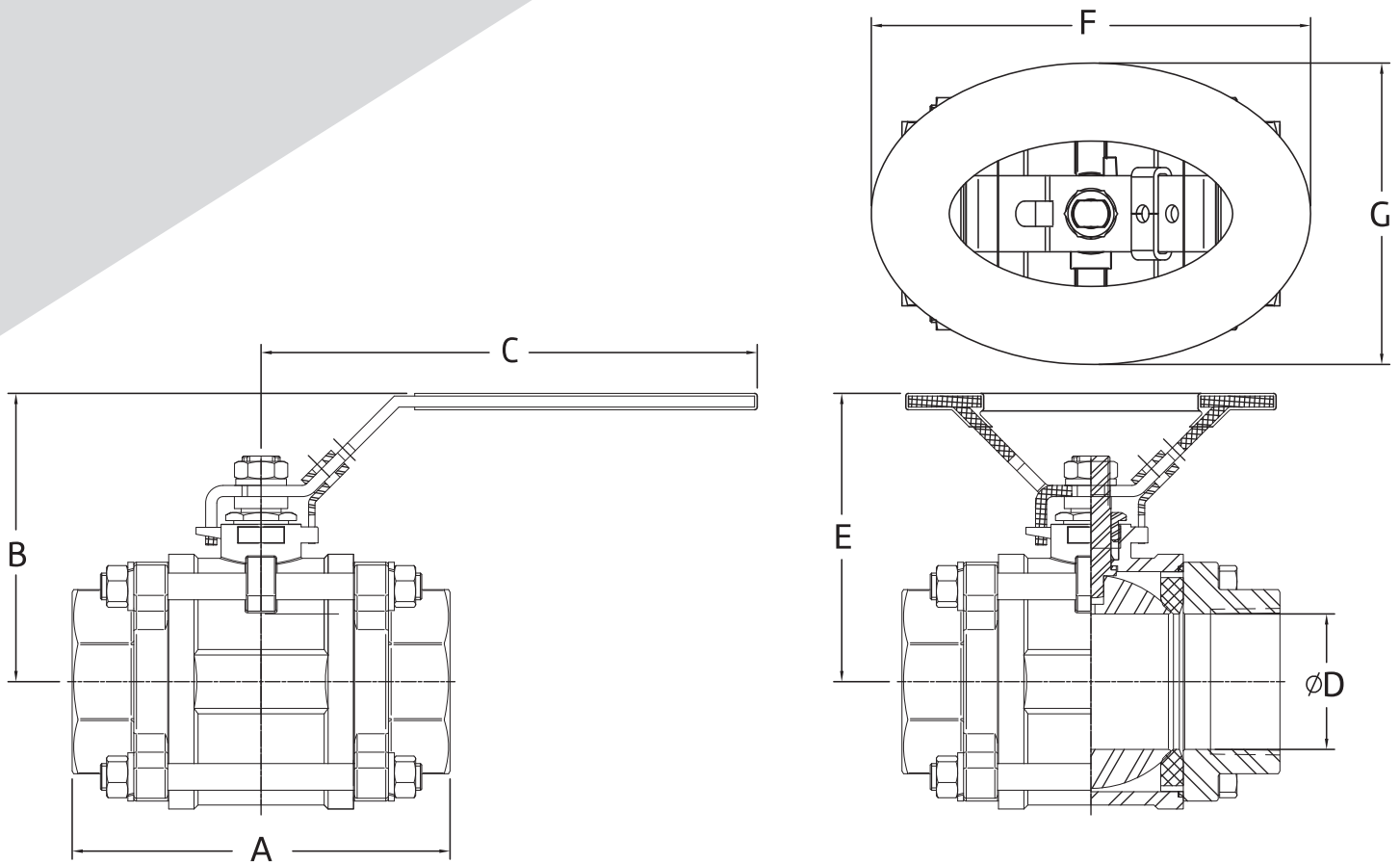


asc-es.com

Building connections that last™



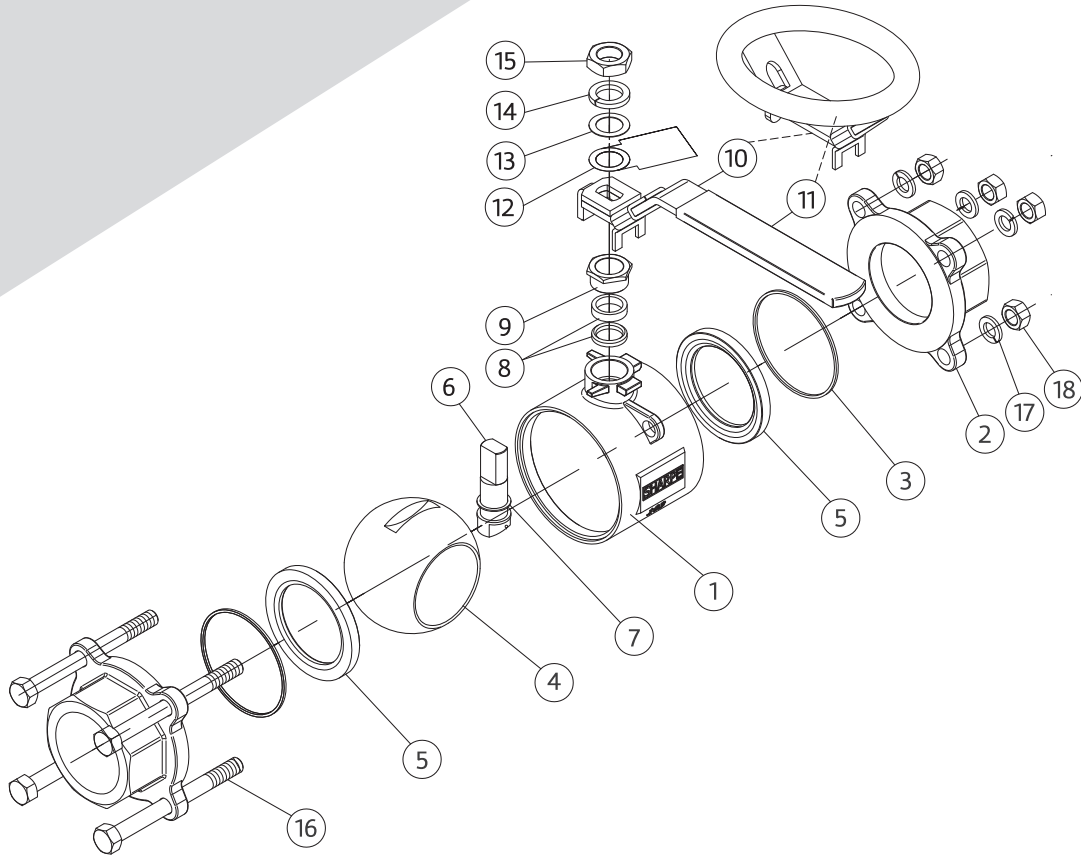
Three-Piece Ball Valve Sharpe® Series 3903



Dimensions (Inches)

Size	A	B	C	Ø D	E	F	G
¼	2.22	1.85	4.02	0.41	2.68	4.02	2.48
⅜	2.30	1.85	4.02	0.50	2.68	4.02	2.48
½	2.46	2.38	5.07	0.59	2.68	4.02	2.48
¾	2.87	2.50	5.07	0.79	3.01	4.02	2.48
1	3.32	2.94	6.03	0.98	3.62	5.20	3.19
1-¼	3.76	3.30	6.03	1.26	3.84	5.20	3.19
1-½	4.47	3.63	7.33	1.50	4.09	5.20	3.19
2	5.23	3.86	7.33	1.97	4.31	5.20	3.19

Three-Piece Ball Valve Sharpe® Series 3903



Parts & Materials

No.	Part Name	Qty	Material
1	Body	1	Carbon Steel ASTM A216 WCB or 316 Stainless Steel ASTM A351 CF8M
2	End Piece	2	Carbon Steel ASTM A216 WCB or 316 Stainless Steel ASTM A351 CF8M
3	Body Seal	2	PTFE
4	Ball	1	316 Stainless Steel
5	Seat	2	RTFE
6	Stem	1	316 Stainless Steel
7	Thrust Bearing	1	PTFE
8	Stem Packing	2	PTFE
9	Gland Packing	1	300 Series Stainless Steel
10	Handle	1	300 Series Stainless Steel
11	Handle Sleeve	1	PVC
12	Name Tag	1	Coated Paper
13	Flat Washer	1	300 Series Stainless Steel
14	Lock Washer	1	300 Series Stainless Steel
15	Handle Nut	1	300 Series Stainless Steel
16	Bolt	4	300 Series Stainless Steel
17	Lock Washer	4	300 Series Stainless Steel
18	Nut	4	300 Series Stainless Steel

Three-Piece Ball Valve Sharpe® Series 3903



How to order Series 3903

Example: $\frac{1}{4}$ + 3903 + 6 + TE + = $\frac{1}{4}$ " - 3903 - 6 - TE

Size Series Body & Ends Ends

Size	Series	Body & Ends	Ends	Options
$\frac{1}{4}$	3903	4 Carbon Steel	TE Threaded	OH Oval Handle
$\frac{3}{8}$		6 316 Stainless Steel	SW Socket Weld	NLS Stem Extension, 2- $\frac{1}{2}$ ", Non- Locking
$\frac{1}{2}$				
$\frac{3}{4}$				
1				
1- $\frac{1}{4}$				
1- $\frac{1}{2}$				
2				

Note:

*POA

Due to continuous development of our product range, we reserve the right to change the dimensions and information for this product as required.

About ASC Engineered Solutions

ASC Engineered Solutions is defined by quality—in its products, services and support. With more than 1,400 employees, the company's portfolio of precision-engineered piping support, valves and connections provides products to more than 4,000 customers across industries, such as mechanical, industrial, fire protection, oil and gas, and commercial and residential construction. Its portfolio of leading brands includes ABZ Valve®, AFCON®, Anvil®, Anvil EPS, Anvil Services, Basic-PSA, Beck®, Catawissa, Cooplet®, FlexHead®, FPPI®, Gruvlok®, J.B. Smith, Merit®, North Alabama Pipe, Quadrant®, SCI®, Sharpe®, SlideLOK®, SPF® and SprinkFLEX®. With headquarters in Commerce, CA, and Exeter, NH, ASC also has ISO 9001:2015 certified production facilities in PA, TN, IL, TX, AL, LA, KS, and RI.



asc-es.com

Building connections that last™

FC-DS-SERIES-3903-v01 20210920

