

Building connections that last™

# Sharpe® Series 11 DIR-ACT

Direct Mount Two-Piece Ball  
Valve Datasheet



# Direct Mount Two-Piece Ball Valve Sharpe® Series 11 DIR-ACT™



## Design Features

- Full Port
- 1000 CWP, 150 WSP\*
- Carbon Steel ASTM A216 WCB or 316 Stainless Steel ASTM A351 CF8M
- Threaded Ends
- Direct Mount Pad Eliminates Need for Brackets and Couplings\*
- Low Profile, Space Saving Design
- Live Loaded, Blow-Out Proof Stem
- Bare Stem Actuator Ready

## Applicable Standards

- Mounting Dimensions: ISO 5211
- Threaded Ends: ASME B16.11
- Shell and Seat Pressure Test: ASME B16.34

## Options

- 4X4 Pneumatic Four Piston Actuator
- SPN II Pneumatic Two Piston Actuator
- SEA Electric Actuator
- Solenoids
- Limit Switches

### Note:

\*Mounting Bracket Must be Used for High Temperature (>180°F) and Steam Applications

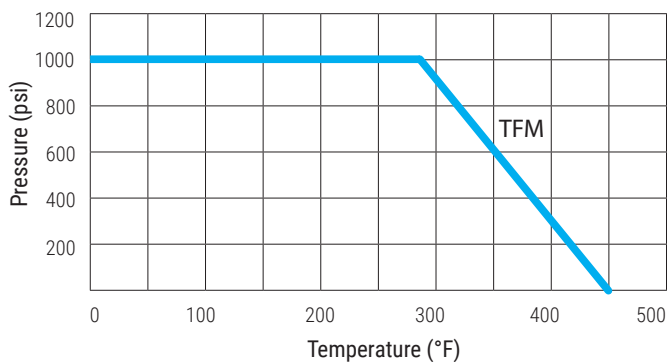
## Technical Information

Size	C <sub>v</sub>	Break Away* Torque / (in-lb <sub>f</sub> )	Weight (Lbs.)
¼	8	40	0.8
⅜	8	40	0.8
½	38	40	0.8
¾	71	80	1.0
1	110	110	1.6
1-¼	230	160	2.8
1-½	350	190	4.0
2	600	250	6.6

### Note:

\*Based on clean non-lubricating fluid at room temperature at 1000 psi media pressure.

Pressure - Temperature Ratings

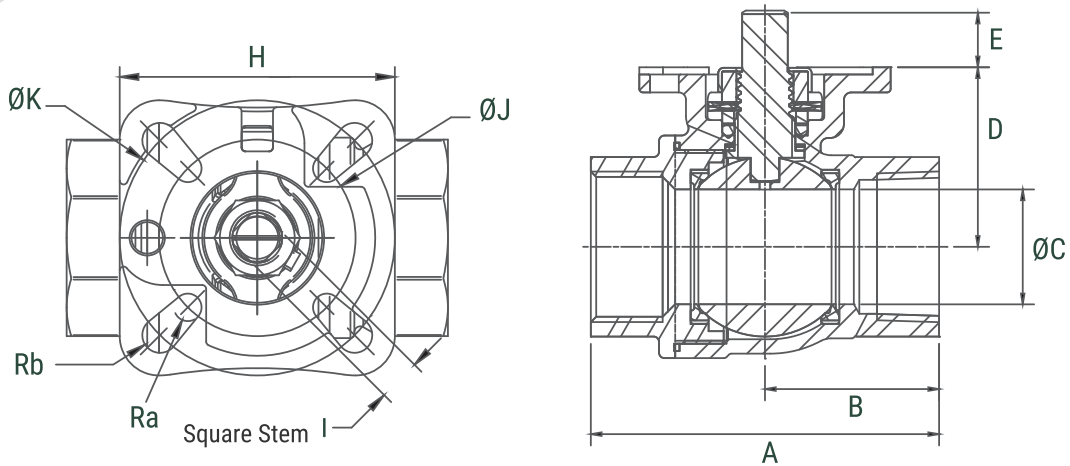


asc-es.com

Building connections that last™

# Direct Mount Two-Piece Ball Valve

## Sharpe® Series 11 DIR-ACT



### Dimensions (Inches)

Item	A	B	ØC	D	E	H	I	ØJ	ØK	Ra	Rb
¼	2.34	1.17	0.25	1.38	0.40	1.97	0.354	F03 (1.42)*	F05 (1.97)	0.11	0.13
⅜	2.34	1.17	0.50	1.38	0.40	1.97	0.354	F03 (1.42)*	F05 (1.97)	0.11	0.13
½	2.34	1.17	0.59	1.38	0.40	1.97	0.354	F03 (1.42)*	F05 (1.97)	0.11	0.13
¾	2.91	1.40	0.79	1.48	0.46	1.97	0.354	F03 (1.42)*	F05 (1.97)	0.11	0.13
1	3.31	1.57	1.00	1.69	0.56	2.76	0.354	F05 (1.97)	F07 (2.76)	0.14	0.18
1¼	3.82	1.88	1.26	1.97	0.61	2.76	0.433	F05 (1.97)	F07 (2.76)	0.14	0.18
1½	4.33	2.17	1.50	2.21	0.61	2.76	0.433	F05 (1.97)	F07 (2.76)	0.14	0.18
2	5.28	2.64	2.00	2.50	0.63	2.76	0.433	F05 (1.97)	F07 (2.76)	0.14	0.18

**Note:**

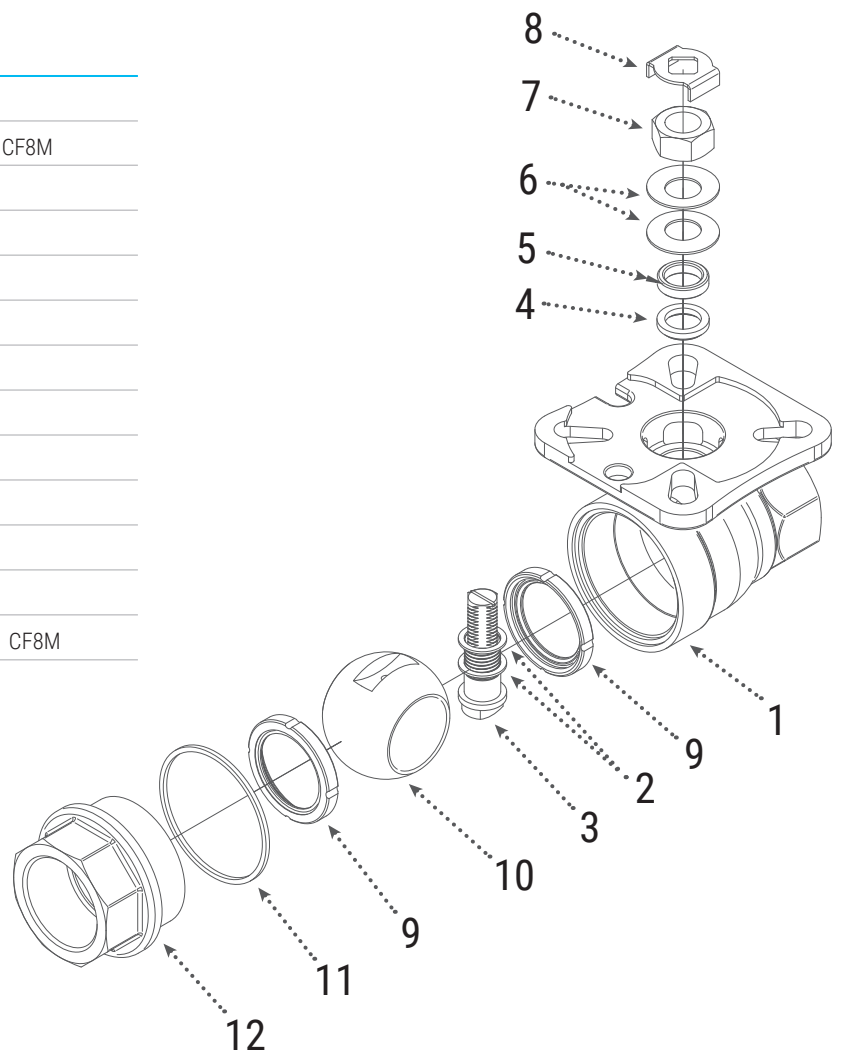
\*Bolt slots accept F03, F04 and F05

# Direct Mount Two-Piece Ball Valve

## Sharpe® Series 11 DIR-ACT

### Parts & Materials

No.	Part Name	Qty.	Materials
1	Body	1	316 Stainless Steel, ASTM A351 CF8M
2	Thrust Bearing	2	PTFE
3	Stem	1	316 Stainless Steel
4	Stem Seal	1	PTFE
5	Gland Packing	1	300 Series Stainless Steel
6	Belleville Washer	2	300 Series Stainless Steel
7	Packing Nut	1	300 Series Stainless Steel
8	Lock Tab	1	300 Series Stainless Steel
9	Seat	2	TFM
10	Ball	1	316 Stainless Steel
11	Body Seal	1	PTFE
12	End Piece	1	316 Stainless Steel, ASTM A351 CF8M



# Direct Mount Two-Piece Ball Valve Sharpe® Series 11 DIR-ACT



## How to order Series 11

$\frac{1}{4}$  + 11 + 6 + 6 + M + TE =  $\frac{1}{4}$  - 11 - 6 - 6 M - TE  
 Size      Series      Body      Ball & Stem      Seat      End Connection

Size	Series	Body	Ball & Stem	Seat	End Connection
$\frac{1}{4}$	11	6 316 Stainless Steel	6 316 Stainless Steel	M TFM	TE Threaded
$\frac{3}{8}$					
$\frac{1}{2}$					
$\frac{3}{4}$					
1					
1- $\frac{1}{4}$					
1- $\frac{1}{2}$					
2					

**Note:**

Due to continuous development of our product range, we reserve the right to change the dimensions and information for this product as required.

### **About ASC Engineered Solutions**

ASC Engineered Solutions is defined by quality—in its products, services and support. With more than 1,400 employees, the company's portfolio of precision-engineered piping support, valves and connections provides products to more than 4,000 customers across industries, such as mechanical, industrial, fire protection, oil and gas, and commercial and residential construction. Its portfolio of leading brands includes ABZ Valve®, AFCON®, Anvil®, Anvil EPS, Anvil Services, Basic-PSA, Beck®, Catawissa, Cooplet®, FlexHead®, FPPI®, Gruklok®, J.B. Smith, Merit®, North Alabama Pipe, Quadrant®, SCI®, Sharpe®, SlideLOK®, SPF® and SprinkFLEX®. With headquarters in Commerce, CA, and Exeter, NH, ASC also has ISO 9001:2015 certified production facilities in PA, TN, IL, TX, AL, LA, KS, and RI.



[asc-es.com](http://asc-es.com)

Building connections that last™

FC-DS-SERIES-11-v01 20211103

