

# GasPro™ TEM-3760

Ultra-High Purity Nickel-  
316L In-Line Filter



GasPro™ TEM-3760 Series filters are designed for higher flow filtration of UHP semiconductor gases when an all-metal design is required. This all-welded assembly will deliver 3 nm particle retention where a good flow rate and low pressure drop is required and space is limited.

Nickel media is enclosed in a 316L stainless steel all-welded filter offers excellent bake-out characteristics for fast dry downs and in-line qualification.

Standard semiconductor industry fittings are offered for easy installation.

## Applications

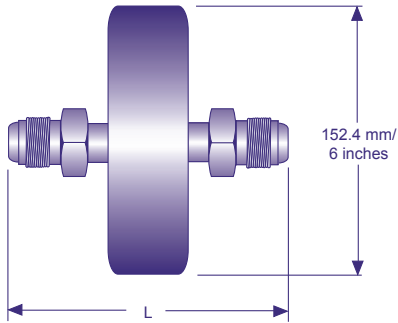
High flow delivery of Ultra-High purity corrosive gases, including semiconductor epitaxy and silicone water manufacturing.

## Specifications

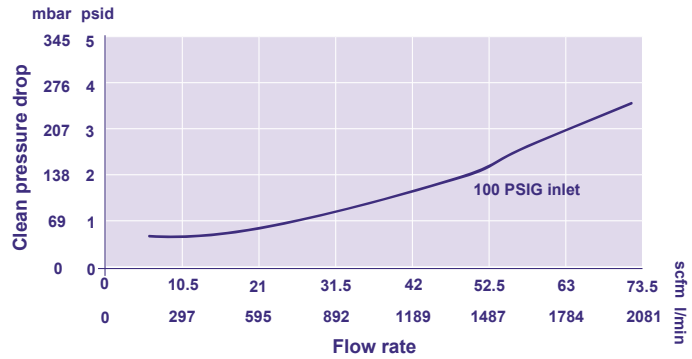
- **Filtration rating**  
Efficient 3 nm particle retention
- **Maximum operating temperature**  
200°C (392°F) in inert gas.
- **Maximum operating pressure**  
48.2 bar (700 psig) at 20°C (68°F).

## Features

- **Construction**  
Sintered Nickel fiber media enclosed in a 316L stainless steel housing.
- **Electro-polished housing**  
The filter assemblies have a 15Ra electro-polished 316L stainless steel housing to prevent corrosion and particle build up on interior surfaces.
- **Out of package cleanliness**  
Our GasPro™ TEM-3760 filters are cleaned and packaged in a cleanroom with organic free handling for out-of-package, particle free, and chemical free cleanliness. Final assembly is purged with filtered nitrogen for initial cleanliness. Additional preconditioning is optional.
- **Multiple fitting options for ease of installation**  
Standard fitting options include face/gasket seal, compression, butt weld and NPT. Special fittings, including tri-clamp (clover) sanitary and flange type, may be available upon request.
- **100% helium leak tested**  
All units are tested to  $1 \times 10^{-9}$  atm cc/second.



Gas flow rate vs Pressure drop



TEM-3760 Part Numbers and Ordering Information

Part number	Inlet/outlet fittings	Filter media/housing	Length (L)
TEM-3765-8	1/2" male/male face seal	Nickel media 316L housing	101 mm (3.975")
TEM-3765-12	3/4" male face seal		130.8 mm (5.15")
TEM-3765-16	1.0" male/male face seal		134.5 mm (5.295")
TEM-37650-8	1/2" butt weld		136.5 mm (5.375")
TEM-37650-24	1.5" butt weld		136.5 mm (5.375")

Not all fittings, lengths, and part numbers are shown on the chart. Please contact your Porvair representative or an approved Porvair distributor for special length and fitting options.