

# GasPro™ TEM-1780

Ultra-High Purity All-316L  
In-Line Filter



GasPro™ TEM-1780 Series filters are designed for 3 nm particle retention up to flow rates of 700 slpm and temperatures of 200°C (392°F).

The all-316LSS welded filter offers excellent bake-out characteristics for fast dry downs and in-line qualification.

## Typical Applications

- Filtration in semiconductor processes.
- High-flow ultra-high purity inert and specialty gases.

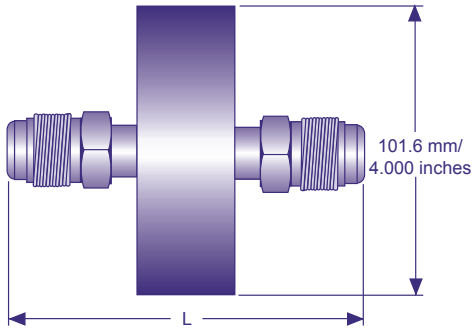
## Specifications

- **Filtration Rating**  
Efficient 3 nm particle retention.
- **Maximum operating temperature**  
200°C (392°F) in inert gas.
- **Maximum operating pressure**  
137.9 bar (2,000 psig) at 20°C (68°F).

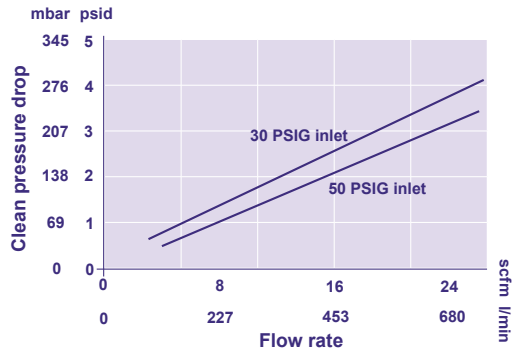
## Features and benefits

- **Construction**  
All 316L stainless steel sintered fibre media and hardware.
- **Electro-polished housing**  
The filter assemblies have a 15Ra electro-polished 316L stainless steel housing to prevent corrosion and particle build-up on interior surfaces.
- **Out of package cleanliness**  
Our GasPro™ TEM-1780 filters are cleaned and packaged in a cleanroom with organic free handling for out-of-package, particle free, and chemical free cleanliness. Final assembly is purged with filtered nitrogen for initial cleanliness. Additional preconditioning is optional.
- **100% helium leak tested**  
All units tested to  $1 \times 10^{-9}$  atm cc/second.

## Specifications



Gas flow rate vs Pressure drop



## TEM-1780 Part Numbers and Ordering Information

Part number	Inlet/outlet fittings	Filter media/housing	Length (L)
TEM-1781-6	3/8" compression inlet/outlet	All 316L	3.00" (76.2 mm)
TEM-1781-8	1/2" compression inlet/outlet		3.00" (76.2 mm)
TEM-1782-16	1" Male face seal inlet, Female face seal outlet		5.25" (133.4 mm)
TEM-1785-8	1/2" male face seal inlet/outlet		3.85" (97.8 mm)
TEM-1785-12	3/4" male face seal inlet/outlet		4.65" (118 mm)
TEM-1785-16	1.0" male face seal inlet/outlet		5.25" (133.4 mm)
TEM-17850-8HP*	1/2" butt weld		4.25" (108 mm)

Not all fittings, lengths, and part numbers are shown on the chart. Please contact your Porvair representative or an approved Porvair distributor for special length and fitting options.