

<h1>SPECIFICATIONS</h1>

[1.General Specifications]

Product Name		Signal Light	
Model		NE-M1ACNN-M+FB295	
Rated Voltage		12V DC - 24V DC	
Operating Voltage Range		10V DC - 30V DC	
Rated Current Consumption	Typ.	12V DC	55mA
		24V DC	45mA
	Max.	12V DC	65mA
		24V DC	50mA
Rated Power Consumption	Typ.	12V DC	0.7W
		24V DC	1.1W
	Max.	12V DC	0.8W
		24V DC	1.2W
Standby Current		Less than 20mA	
Inrush Current		Less than 0.4A / 2msec	
Operating Ambient Temperature		-25°C to +60 °C	
Operating Ambient Humidity		Less than 90% (No condensation)	
Storage Ambient Temperature		-40°C to +75°C	
Storage Ambient Humidity		Less than 90% (No condensation)	
Mounting Location		Indoor	
Mounting Direction		All Directions	
Protection Rating		IP67(IEC 60529) / IP69K(DIN 40050 PART9)	
Environmental Condition		Upright	
Insulation Resistance		More than 5MΩ at 500VDC between live part and non-current carrying metallic part	
Withstand Voltage		500VAC applied for 1min between live part and non-current carrying metallic part without breaking insulation	
Luminous Color		Red / Green / Blue / Amber / Cyan / Purple / White	
Mass (Tolerance ±10%)		0.09kg	
Conformity Standards	UL, cUL	UL 508, CSA-C22.2 No. 14	
	FCC	FCC Part 15 SubpartB Class A	
	IC	ICES-003 Class A	
	CE Marking UKCA Marking	EN 61000-6-4, EN 61000-6-2, EN IEC 63000	
	KC	KS C 9610-6-4, KS C 9610-6-2	
Remarks		<p>Due to the characteristics of the LED elements, a variation in difference of the color tone and brightness of every product may occur.</p> <p>A cable with a M12 connector is not supplied with the product.</p> <p>UL Recognized Component (File No.E215660)</p>	

[2.Model Number Configuration]

Model		Rated Voltage		Wiring	Touch sensor	Buzzer		LED Color		Custom Order Number
NE	-	M1	A	C	N	N	-	M	+	FB295

Rated Voltage
M1 12V~24V

Buzzer
N No Buzzer

LED Color
M Multi Color

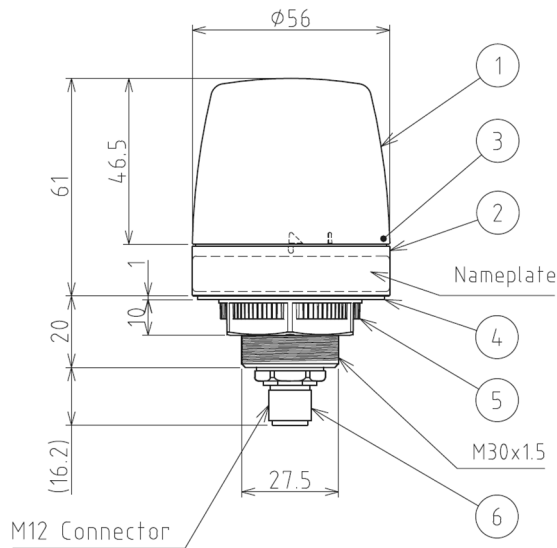
Touch sensor
N No Touch sensor

Wiring
C M12 Connector

[3.Outer Dimensions]

■ NE-M1ACNN-M+FB295

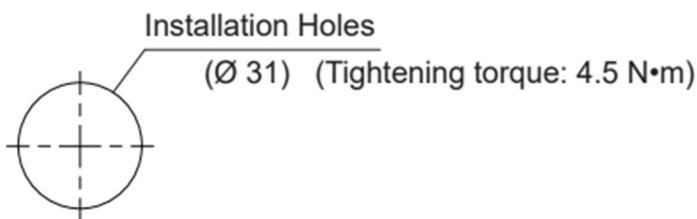
[mm]



Number	Name	Material
1	Globe	PC
2	Case	PC
3	Gasket	Silicone Rubber
4	Mounting Gasket	Silicone Rubber
5	M30 Nut	PC
6	M12 Connector (5pin)	MBNi

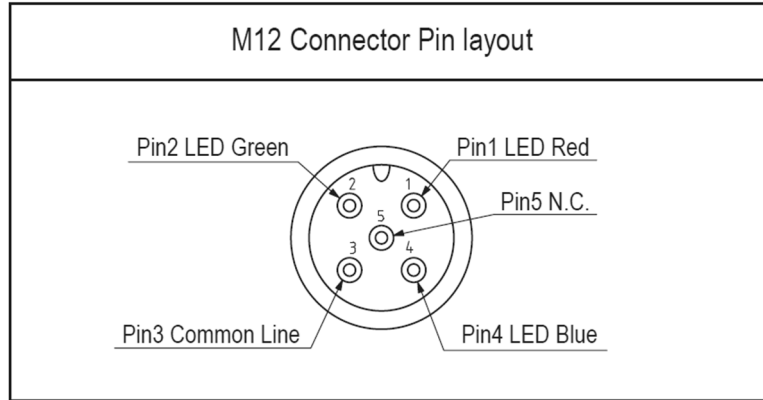
[4.Mounting Dimensional Drawing]

[mm]

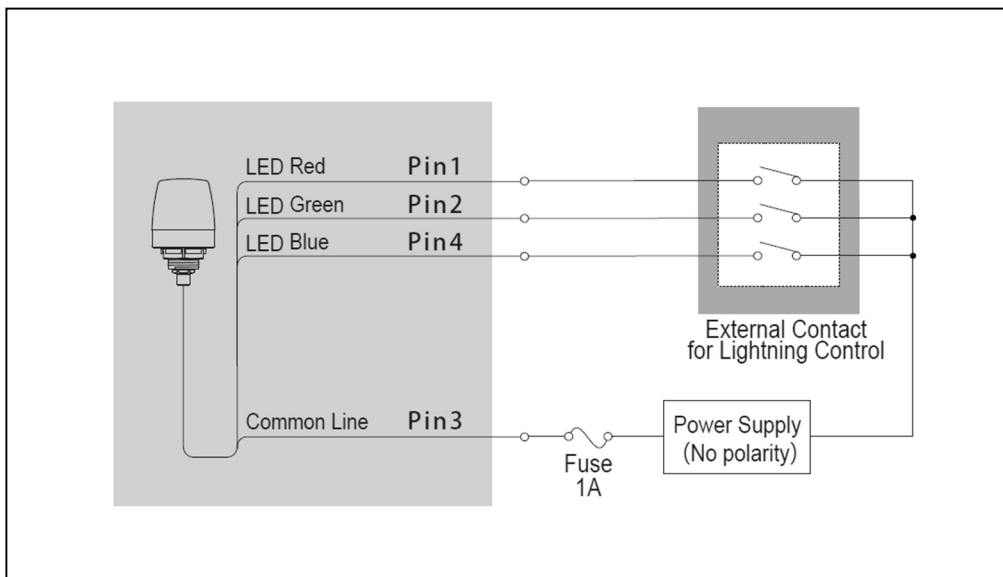


[5.Wiring Diagram]

5.1 M12 Connector Pin Layout
5-pin male(plug)



5.2 Wiring Example



Luminous Color	M12 Connector Pin No.
Red	①
Green	②
Blue	④
Amber	① + ②
Cyan	② + ④
Purple	① + ④
White	① + ② + ④

PATLITE Corporation