

MX SERIES OVAL GEAR FLOWMETER FOR HAZARDOUS AREAS

INSTRUCTION MANUAL



EXPLOSION/ FLAME PROOF



INTRINSICALLY SAFE

To the Owner

Please read and retain this instruction manual to assist you in the operation and maintenance of this product.

The manual contains operating and maintenance instructions for the MX-Series Flow Meters with Ex outputs. This covers port sizes from 1/4" to 4".

Refer to separate instruction manual for information on operating modes and features of LCD displays. Contact local representative or distributor for further assistance.

This Flow Meter has incorporated the oval gear principle into its design. Exceptional repeatability and high accuracy over a wide range of fluid viscosities and flow rates are features of the oval gear design.

With a low pressure drop and high pressure ratings, oval gear flow meters are suitable for gravity and (in-line) pump applications.

Macnaught offer a comprehensive set of web based support materials to complement this instruction manual.

Access the Instruction manual by scanning below QR code.



Important Information	Page # 3
Operating Principle	Page # 4
Installation	
Installation Instructions	Page # 4-5
Earthing Points on Flow meter	Page # 5
Maintenance Procedure	
Disassembly	Page # 6
Reassembly	Page # 6
Pictorial Representation	Page # 7
Flow meter Specifications	
Product Identification System	Page # 8
Flow meter Specifications	Page # 9
Pulser Specifications & Wirings	Page # 10-15
Engraving / Data Plate Information	Page # 16
Installation of Flanges	Page # 16
Service	
Exploded Diagrams	Page # 17
Troubleshooting Guide	Page # 18
Wetted Parts	Page # 19
Spare Parts Kits	Page # 20
General	
Pressure Drop Graphs	Page # 21
Dimensional Diagrams	Page # 22-25
Certificates	Page # 26-28



EQUIPMENT CATEGORY: The Macnaught oval gear flow meters are designed in category II 2 G according to EN 60079-0 and EN 60079-11 for use in zone 1 (GASES). The inside of the measuring unit is also approved for zone 1. Macnaught declines any responsibility for the use of flow meters outside the designated Ex group, category and zone.

The flow meters shall be rigorously used within the min-max rated temperature and pressure limits specified by Macnaught. Failure to do so will result in high risk of explosion.



EU CONFORMITY: The manufacturer declares with the EU declaration of conformity on his own responsibility conformity with the protection goals of directive 2014/34/EU for use in hazardous areas with gas. The EU declaration of conformity for the equipment category II 2 G is based on the EU type technical file SIRA: [SIRA 15XT063 Rev 2.](#)



POTENTIAL RISK OF EXPLOSION:

Do not use the flow meter in dry conditions as that would cause local overheating, damage and potentially create high risk of explosion in hazardous area.

The flow meter must be protected from impact at all times: impact can cause mechanical sparking and result in high risk of ignition/explosion

The flow meter external housing can be made of Aluminium: contact between iron oxide (for example - rust iron) and aluminium can cause sparks with high risk of ignition/explosion. Ensure no source of iron oxides are available within the Ex zone where the flow meter is installed.

In the event a leakage on the flow meter is observed, process must be interrupted immediately and proper maintenance carried out. Leakages could create dry run condition in the meter with resulting risk of ignition/explosion.



FLOWMETER USAGE: The flow meter shall be used exclusively with fluids. No gases permitted to flow. Presence of gases could create severe hazard and damage



FLUID COMPATIBILITY: Before use, confirm the fluid to be used is compatible with the meter. Refer to Industry fluid compatibility charts or consult your local representative.



SAFETY BARRIER: The Ex ia sensors must be installed with an approved safety barrier.



STRAINER: To prevent damage from dirt or foreign matter it is recommended that a Y or Basket type mesh strainer be installed as close as possible to the inlet side of the meter.

- Meter 1/4" 74 micron / 200 mesh
- Meter 1/2"- 2" 250 micron / 60 mesh
- Meter 3"- 4" 420 micron / 40 mesh

When a strainer is installed it should be regularly inspected and cleaned. Failure to keep the strainer clean will dramatically effect flow meter performance. Contact your local representative for advice.



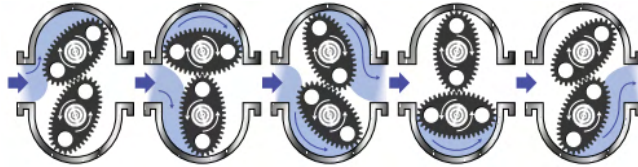
AIR PURGE / LINE PRESSURE: To prevent damage caused by air purge, slowly fill the meter with fluid. To reduce pressure build-up turn off the pump at the end of each day.

OPERATING PRINCIPLE

Fluid passing through the meter causes the rotors to turn, as shown below. One of the rotors (the active rotor) is fitted with magnets.

The passing of the magnets are picked up by the electronic sensor. The excitation of this switch provides a 'Raw Pulse Output' which relates to the K-Factor. (e.g. KF 36 = 36 pulses per litre of fluid passed)

This Pulse Output Signal can either be fed to an external receiving element (e.g. Data Logger or PLC) or alternatively to an LC Display which conditions the Pulse signal to display volume of fluid passed. (e.g. Display 1 Litre per for every 36 pulses received)



INSTALLATION INSTRUCTIONS



INSTALLATION: Assembly, installation, start-up and maintenance may only be carried out according to the applicable installation standards (e.g. IEC 60079-14) by qualified personnel trained in explosion protection! The information given in the manual and these instructions must always be observed: failure to observe the instructions on this manual will result in a high risk of explosion.

The operator or his agent is responsible for observing any additional standards, directives or laws if required due to operating conditions or place of installation. This applies in particular to the use of easily detachable process connections when measuring flammable media.

When an equipment fault is detected the device shall be de-energised and send back to the manufacturer for repair.



EARTHING/EQUIPOTENTIAL BONDING:

The flow meter must be included in the on-site equipotential bonding system according to EN 60079-14. Proper earthing and equipotential bonding provisions shall be in place and properly maintained on the flow meter and the whole installation, as per EN/IEC 60079-14 or any other relevant applicable standards. Failure to do so would result in high risk of static sparking and explosion. See Images on Page (5) for earthing/equipotential bonding points on flow meter.



ELECTROSTATIC CHARGE:

In order to avoid ignition hazards due to electrostatic charge, flow meters may not be used in areas with:

- processes that generate strong charges,
- mechanical friction and cutting processes,
- spraying of electrons (e.g. in the vicinity of electrostatic painting systems) or
- pneumatically conveyed dust is exposed.

Electrostatic charging of the housing surface by friction must be avoided. The devices must not be dry cleaned. If you feel an electric shock while using the meter, stop dispensing immediately. Identify and correct the problem before continuing.



IMPORTANT NOTES:

After installation and before start up, the flow meter must be primed and the air in the pipework purged to avoid onset of dry run conditions in the flow meter: that could cause damage and risk of explosion if persistent.

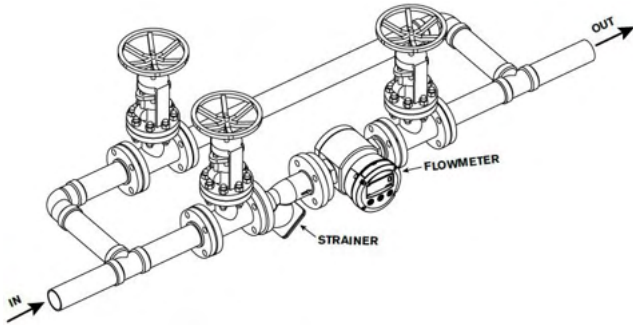
Do not install the flow meter in close proximity of a source of heat (for ex. furnace, heater) that can cause an increase of flow meter temperature: hot surfaces on the flow meter can cause risk of explosion

The flow meter must not be installed in hot environments with $T > 50^{\circ}\text{C}$.

Proper strainers/filters shall be used to avoid debris of foreign bodies to reach the oval gears: failure to do so would result in severe damage and mechanical sparking with high risk of ignition/explosion.

INSTALLATION INSTRUCTIONS

1. It is recommended that a bypass line be included in the design. This provides the facility for a meter to be removed for maintenance without interrupting production. (see figure)



2. Use a thread sealant on all pipe threads. Thread tape must not enter flow meter, stopping flow meters operation.

3. For pump applications ensure pipe work and meter have the appropriate working pressure rating to match the pressure output of the pump. Refer to Meter Specifications section for further details.

4. Install a Y type or basket type mesh strainer as close as possible to the inlet side of the meter.

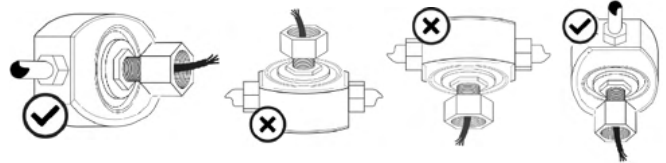
Meter 1/4"	74 micron / 200 mesh
Meter 1/2" - 2"	250 micron / 60 mesh
Meter 3" - 4"	420 micron / 40 mesh



Note ! The flow meter can accept flow in any direction.

5. The meter can be installed in any orientation as long as the meter shafts are in a horizontal plane as per the picture.

Incorrect installation can cause premature wear of meter components.



Note ! Do not over tighten meter connections.

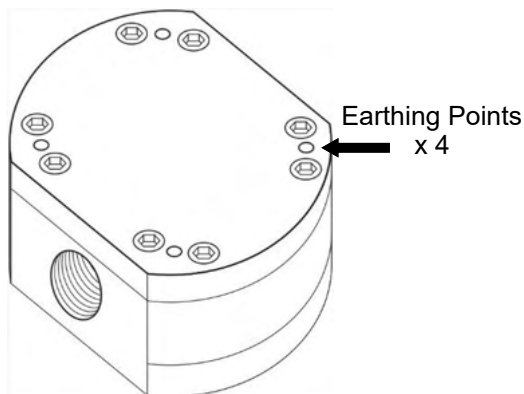
7. It is important after initial installation to fill the line slowly, high speed air purge could cause damage to the rotors.

8. Test the system for leaks. Do not continue use if meter is leaking.

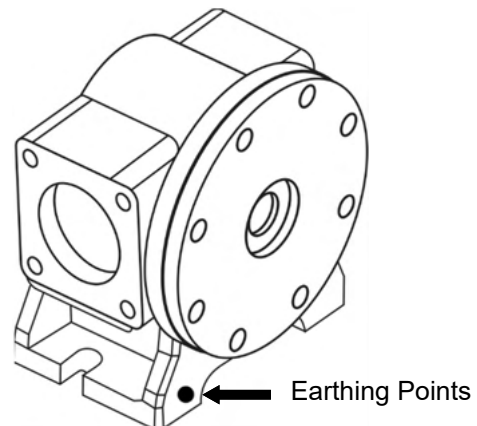
9. Check the strainer for swarf or foreign material, after the first 200 litres check periodically, particularly if the flow rate is noted to be decreasing.

EARTHING / EQUIPOTENTIAL POINTS ON FLOWMETER

For MX06 to MX50 meters, one of the mounting hole on flow meter cap can be used as Earthing point. See below picture to locate that point:



For MX75 and MX100 meters, see below pictures to locate Earthing point:



Meter	Earthing Point	Meter	Earthing Point
MX06	M5 x 0.80	MX40	M8 x 1.25
MX09	M5 x 0.80	MX50	M8 x 1.25
MX12	M5 x 0.80	MX75	M8 x 1.25
MX19	M6 x 1.00	MX100	M8 x 1.25
MX25	M6 x 1.00		

MAINTENANCE PROCEDURE



Note !

Inspection and maintenance of installations should only be carried out by experienced personnel.

DISASSEMBLY



Note !

Care should be taken not to drop, damage or impact equipment due to risk of spark. Non sparking tools should be used.

Meter should be removed from explosive atmosphere when maintenance to any part of the meter is required, the meter must be isolated and the line pressure released.



Note !

It is advisable to mark all components with a marker pen before disassembly, to ensure all the components are replaced to their correct position during the reassembly process.

1. Remove the meter cap by loosening the bolts on the underside of the meter body. (see FIG 1, Page 7)
2. Remove the O-Ring from the O-Ring groove. Wipe clean of grease and store in clean place.
3. Remove rotors from the cap and shaft assembly. The shafts are fixed to the cap for sizes 1/4" - 2" and to the body for 3" and 4" sizes. No need to take them off.



Note !

Do not remove shafts from their location.

REASSEMBLY

1. Before reassembling, check the condition of flow meter parts (rotors, body, cap, seal O-ring and shafts). Replace if necessary. Contact Macnaught to check for spare parts availability.
2. One of the rotors is active (have magnets) and other one is neutral. The active rotor can be identified by running a metal object over the face of the rotor. Placed both the rotors at 90° to each other onto the shafts. Spin them to check if they move freely. If not, repeat the process.

- **Active Rotor Placement into Flow meter:**

- **MX06 - MX09 Meters:**

- The active rotor is positioned nearest to 'dimple' on the meter cap. (see FIG 2, Page 7)

- The smooth side of rotor showing up, grub screw will face downwards.

- The chamfered side of the rotor stays upward when placed on to the shaft (see FIG 6, Page 7)

- **MX12 - MX50 Meters:**

- The active rotor is positioned nearest to 'dimple' on the meter cap. (see FIG 2, Page 7)

- Meter cap dimple must face towards the flow meter body dimple. (see FIG 2 & 3, Page 7)

- The magnet side face upward when placed on the cap.

- **For MX75 - MX100 meters:**

- Active rotor is positioned on to the shaft away from the flow meter foot. (see FIG 7, Page 7)

- The magnet side of the active rotor face upward when placed inside the flow meter body.

3. Smear the O-ring with light film of grease and placed into the Groove. (see FIG 3, Page 7)
4. Place the meter Cap on the meter Body.
Meter cap dimple must face towards the flow meter body dimple (MX06-MX50 Meters). (see FIG 2 & 3, Page 7)
5. Insert the cap head screws and tighten in a diagonal sequence 1, 5, 7, 3, etc.

- **Bolts Torque Ratings:**

- MX06-MX12 (6.5 Nm)

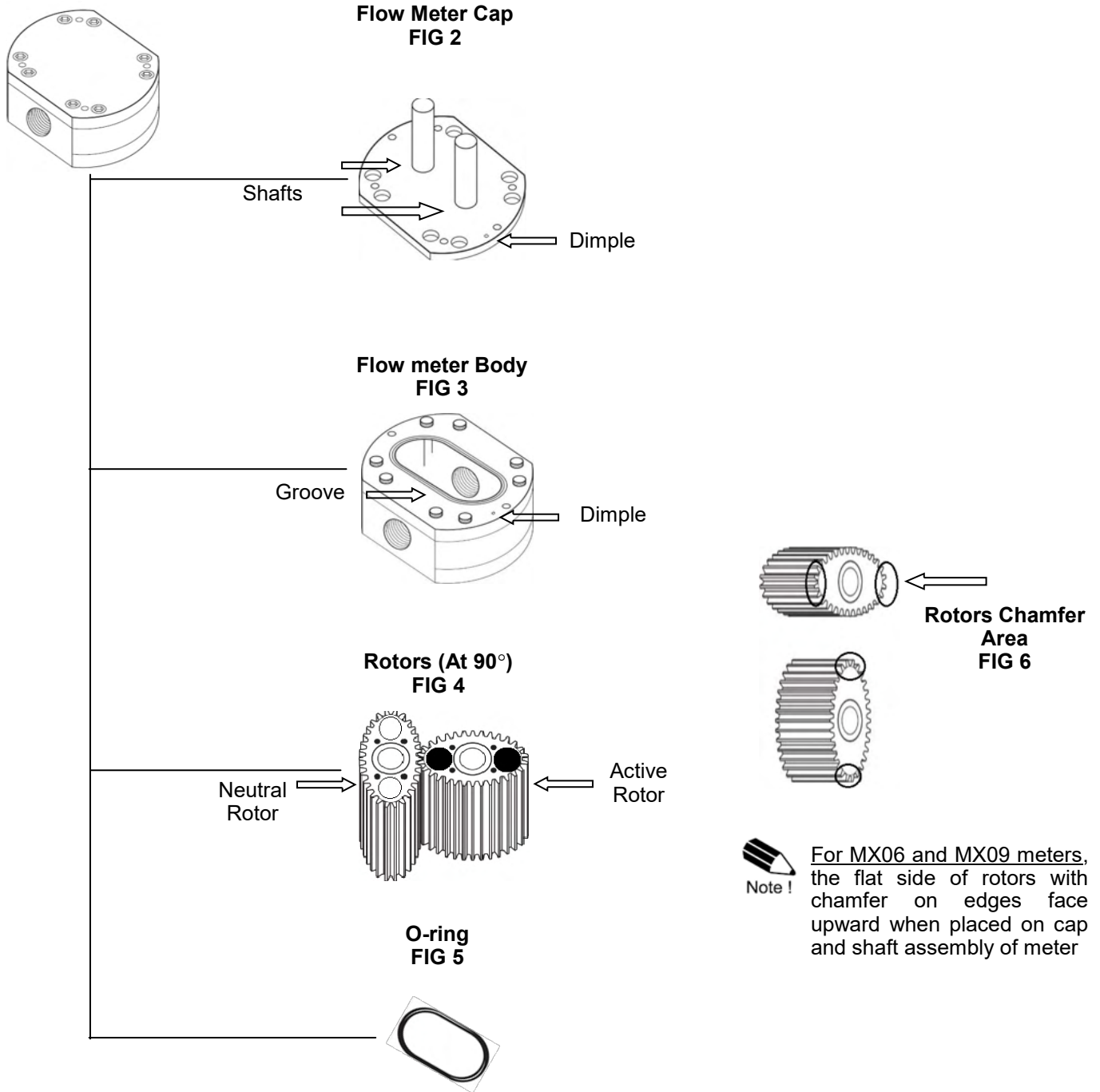
- MX19-MX25 (15 Nm)

- MX40-MX100 (33 Nm)

6. Test the meter by turning the rotors with a finger or by applying very low air pressure (no more than a good breath) to one end of the meter, before returning the meter to service.

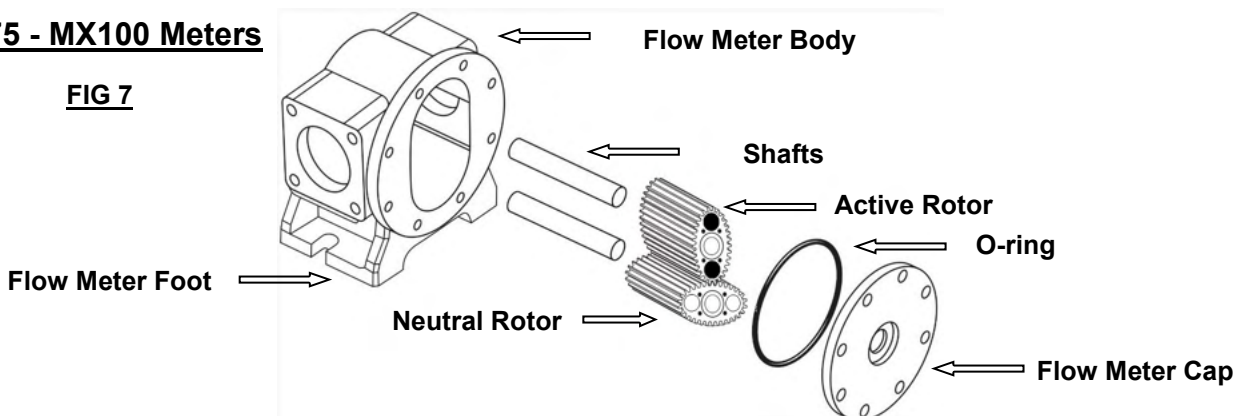
PICTORIAL REPRESENTATION OF FLOWMETER AND DISASSEMBLED PARTS

**Flow meter
FIG 1**



MX75 - MX100 Meters

FIG 7



PRODUCT IDENTIFICATION SYSTEM

Series	MX						
MX Port Size	06	1/4"					
	09	1/4"					
	12	1/2"					
	19	3/4"					
	25	1"					
	40	1 1/2"					
	50	2"					
	75	3"					
	100	4"					
	Category	P	SS/SS/FEP	MX06-MX50			
AL/SS/FEP			MX06 - MX25				
AL/AL/FEP			MX40 - MX100				
Port Connection	-	-	1	G threads	MX06-MX100 3" BSP and NPT port connection for MX100		
			2	NPT threads			
			3	ANSI 150# Flanges	MX25 - MX100		
			4	JIS 10k Flanges			
			5	DIN PN 16k Flanges			
			6	BSP (Rc) Threads	MX06, MX09, MX12 and MX25		
			Rotor Type	-	-	-	P
S	Standard	MX06-MX25 (SS) MX40-MX100 (AL)					
T	SS	MX06P-MX50P					
V	High Viscosity (SS / AL)	MX09S-MX100S MX09P-MX50P					
Output Type	-	-	-	-	-	B	Ex Approved (NPN) sensor (Ex ia)
						C	Ex Approved (NPN) sensor (Ex d)
						N	Ex Approved (NAMUR) sensor (Ex ia)
Example	MX	06	P	-	2	T	C

FLOWMETER SPECIFICATIONS

Flow Meter Series	Flow Range (Viscosity < 5 cP)		Flow Range (Viscosity > 5 cP)	
	Metric	US	Metric	US
MX06	2 to 100 LPH	0.5 to 26 GPH	0.5 to 100 LPH	0.13 to 26.4 GPH
MX09	25 to 500 LPH	6.6 to 132 GPH	15 to 500 LPH	4 to 132 GPH
MX12	3 to 25 LPM	0.8 to 6.6 GPM	2 to 30 LPM	0.5 to 8 GPM
MX19	8 to 70 LPM	2 to 18.5 GPM	3 to 80 LPM	0.8 to 21 GPM
MX25	10 to 100 LPM	2.6 to 26 GPM	6 to 120 LPM	1.6 to 32 GPM
MX40	15 to 235 LPM	4 to 62 GPM	10 to 250 LPM	2.6 to 66 GPM
MX50	15 to 500 LPM	4 to 130 GPM	15 to 500 LPM	4 to 130 GPM
MX75	60 to 600 LPM	17 to 170 GPM	20 to 733 LPM	5 to 194 GPM
MX100	220 to 1000 LPM	60 to 250 GPM	120 to 1200 LPM	30 to 300 GPM



Note !

Ensure the Flow meter is fitted with 'High Viscosity Rotors' if the fluid being metered is 1000 cP or above.

K-Factor (Pulses per litre / Pulses per Gallon)	Refer to Engraving on Flow meter / Flow meter Data Plate
Temperature Range (MX06P - MX50P)	-40°C - 150°C ¹
Temperature Range (MX06S - MX100S)	-40°C - 120°C ¹
Accuracy (MX06 - MX100)	±0.5% of reading



Note !

1 Flow meter process temperature range may be limited to sensor temperature classification. Consult relevant sensor data page and approval documentation.

Flow Meter Series	Maximum Operating Pressure* (Flow meter Threaded)		Maximum Operating Pressure* (Flow meter Flanged**)	
	kPa	psi	kPa	psi
MX06	6895	1000	-	-
MX09	6895	1000	-	-
MX12	13790	2000	-	-
MX19	13790	2000	-	-
MX25	13790	2000	1250	181
MX40	10342	1500	1250	181
MX50	8274	1200	1250	181
MX75	1200	175	1200	175
MX100	1200	175	1200	175



Note !

* Conforms to Directive 2014/68/EU

** Flanges Standard (ASME B16.5, Group 2-2.3 Materials)



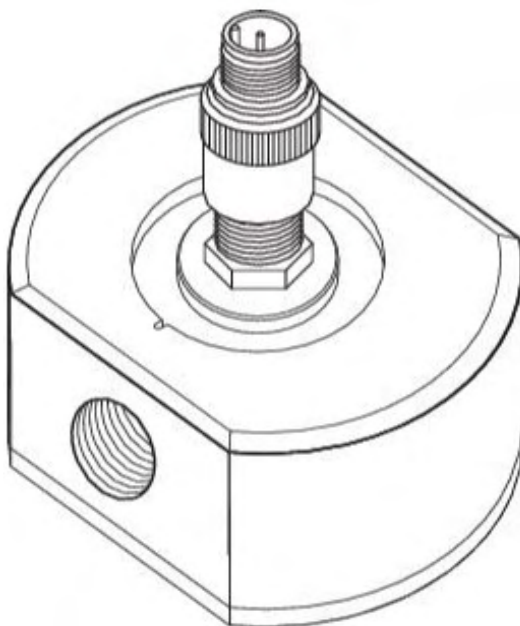
This sensor must be installed with an approved safety barrier.

SENSOR TYPE	Omni Polar	Supply Tracking , NPN with 3.1kΩ pull-up resistor
SPECIFICATIONS	Markings¹	ATEX & IECEX: II 1 G Ex ia IIC T6...T4 Ga, T6@ -40°C ≤ T _{amb} ≤ +65°C US & CAN: Class 1, Division 1 GROUP ABCD T6...T5 Class 1, Zone 0, AEx/Ex ia IIC T6...T5 T6 @ -40°C ≤ T _{amb} ≤ +65°C
	Construction	303 Stainless Steel Housing
	Operating Voltage	5V to 30V DC @ ≤ 15mA
	Maximum Sinking Current	25mA
	Process Temperature Range¹	-40°C - 65°C or -40°F - 149°F
	Approvals¹	ATEX, IECEX, US & CAN (THROUGH FM)
	Entity Parameters	U _i = 30V, I _i = 100mA, P _i = 0.66W, C _i = 12nF, L _i = 0
	I.S Barrier (Associated Equipment)	V _{max} , U _i ≥ U _o , V _{oc} or V _t I _{max} , I _i ≥ I _o , I _{sc} , I _t C _o or C _a ≥ C _i + C _c L _o or L _a ≥ L _i + L _c P _t or P _o ≤ P _i

¹Refer to sensor certificates for complete markings, temperature ranges and approval codes.

Illustration

Sensor fitted to 1" meter

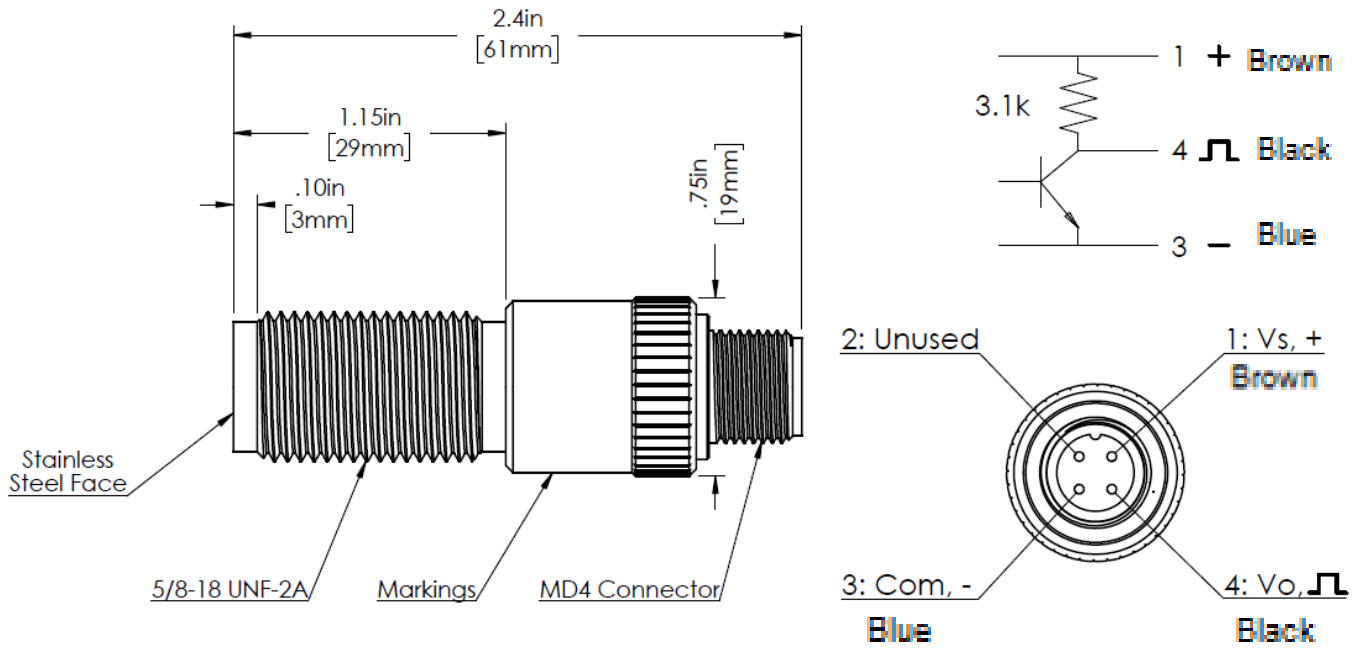


Illustration

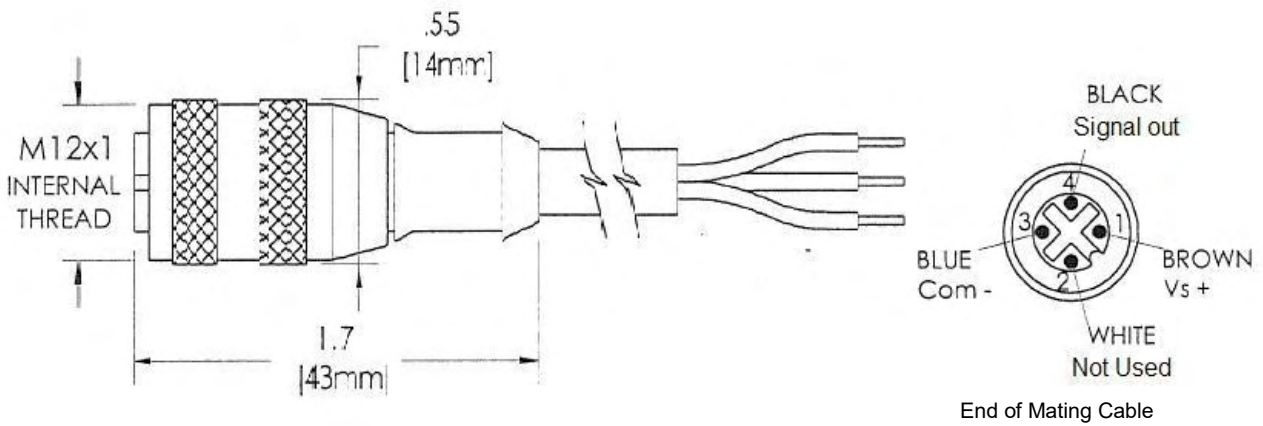
Cable Connector



Sensor



Cable Connector



Standard Meter Length is 15 Meters.

Optional: 2 Meter, 5 Meter, 10 Meter, and 50 Meter Cable Lengths Available



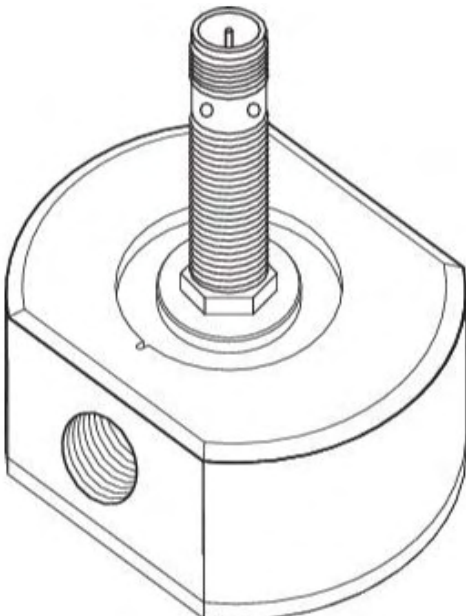
This sensor must be installed with an approved safety barrier.

SENSOR TYPE	Magnet-inductive Proximity Sensor	NAMUR
SPECIFICATIONS	Markings ¹	ATEX & IECEX: II 1 G Ex ia IIC T4...T6 Ga US: Class 1, Division 1 GROUP ABCD T4 resp. T5 Class 1, Zone 0, AEx/Ex ia IIC T5...T4 T5 @ $-25^{\circ}\text{C} \leq T_{\text{amb}} \leq +70^{\circ}\text{C}$
	Construction	CuZn, Chrome-plate
	Operating Voltage	8V to 15V DC
	Maximum Current	5mA
	Process Temperature Range ¹	$-25^{\circ}\text{C} - 70^{\circ}\text{C}$ or $-13^{\circ}\text{F} - 158^{\circ}\text{F}$
	Approvals ¹	ATEX, IECEX, US (THROUGH FM AND CSA)
	Entity Parameters	$U_i = 20\text{V}$, $I_i = 60\text{mA}$, $P_i = 200\text{mW}$, $C_i = 150\text{nF}$, $L_i = 150\mu\text{H}$

¹Refer to sensor certificates for complete markings, temperature ranges and approval codes

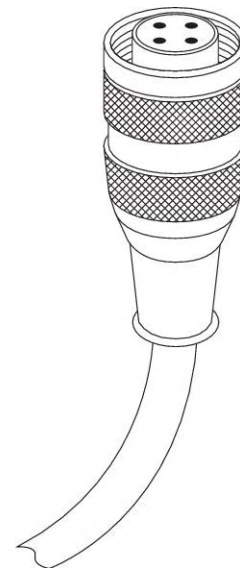
Illustration

Sensor fitted to 1" meter

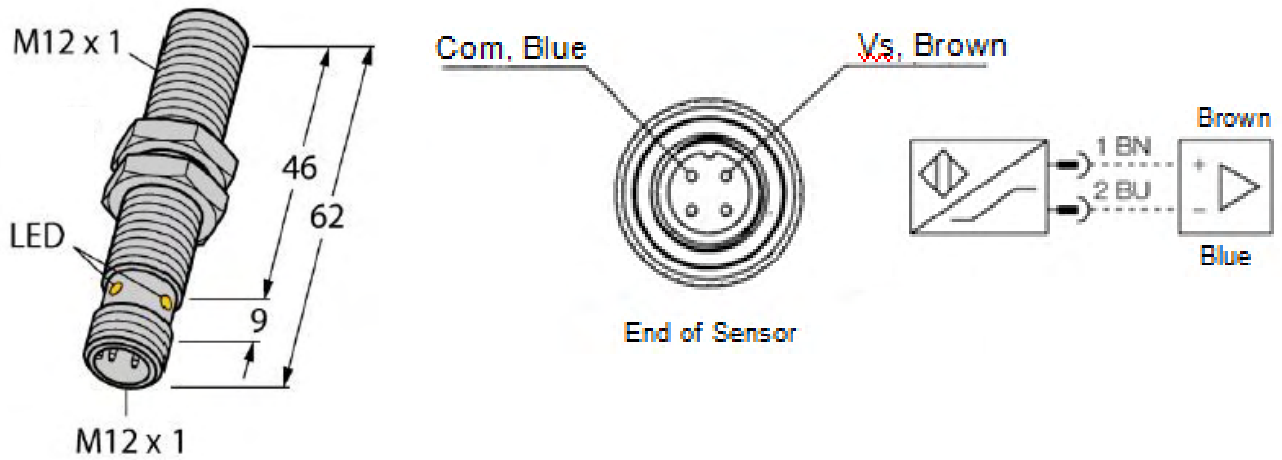


Illustration

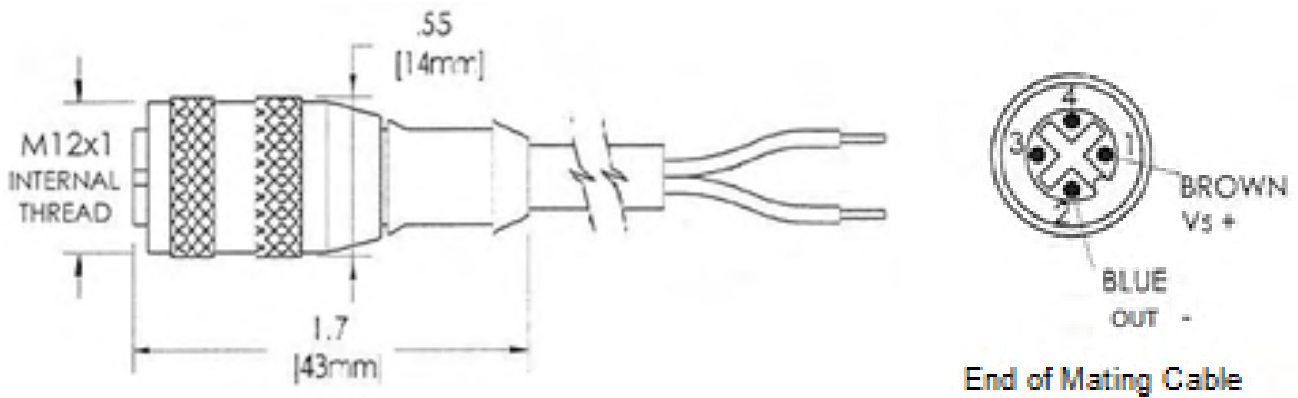
Cable Connector



Sensor



Cable Connector



Available Cable lengths are 2-meters, 5-meters, 10-meters, 15-meters and 50-meters.

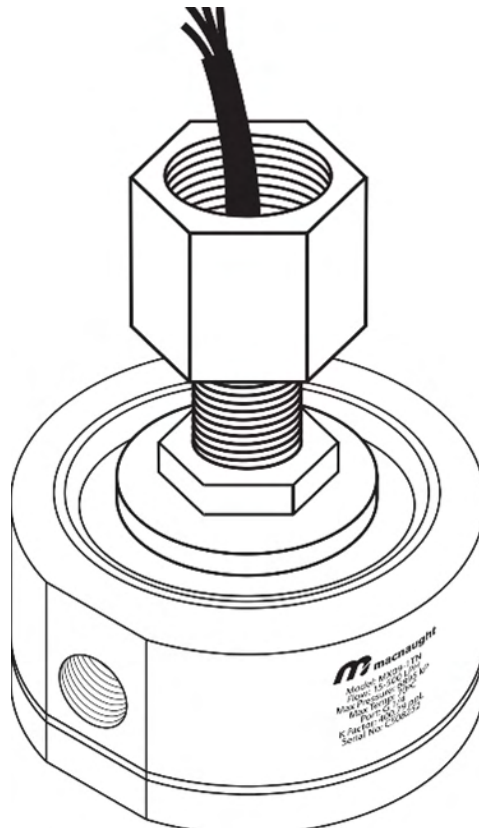
By Default meter fitted with 2-meter cable. Contact Macnaught, if longer cable is required.

SENSOR TYPE	Omni Polar	Supply Tracking , NPN with 3.1kΩ pull-up resistor
SPECIFICATIONS	Markings¹	ATEX & IECEx: II 2 G Ex db IIC T6...T3 Gb, T3@ Ta = -55°C... +140°C USA & CAN: Class 1 Division 1 GROUP ABCD T6...T3 Class 1, Zone 1, AEx/Ex db IIC T6...T3 Gb T3 @ Ta = -50°C... +140°C
	Construction	303 Stainless Steel
	Operating Voltage	5V to 27V DC @ ≤ 15mA
	Maximum Sinking Current	25mA
	Process Temperature Range¹	-50°C - 140°C or -58°F - 284°F
	Approvals¹	ATEX, IECEx, US & CAN (THROUGH FM)

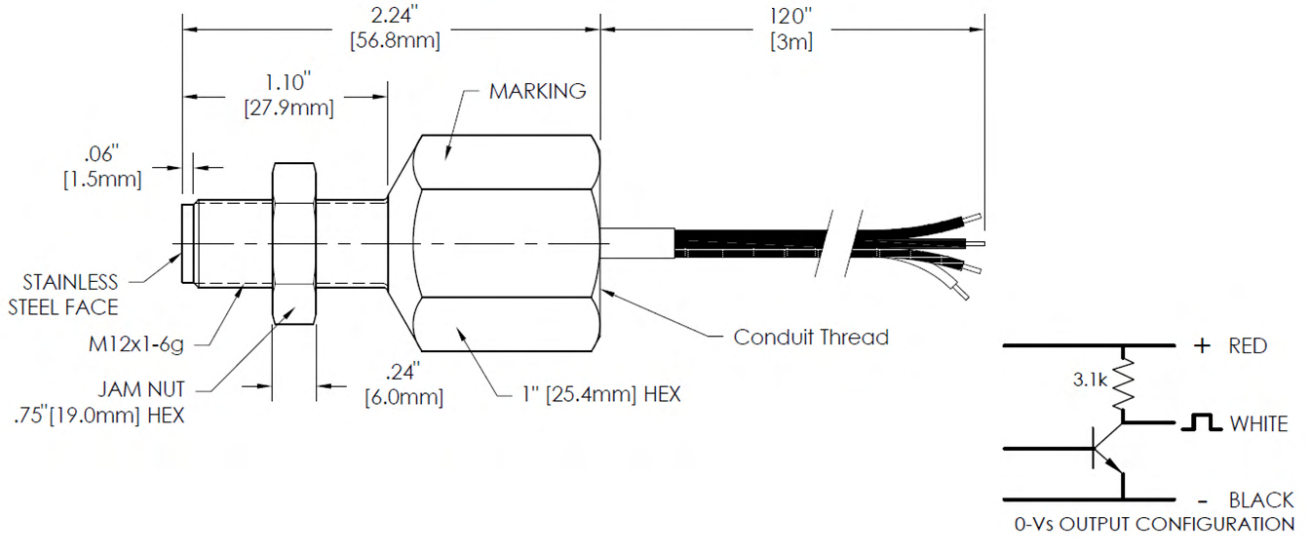
¹Refer to sensor certificates for complete markings, temperature ranges and approval codes.

Illustration

Sensor and Cable fitted to 1/2" meter



Sensor and Cable Assembly



Available Cable length is 3-meters

Flow Meter Process Connection	Conduit Thread
G Thread	M20x1.5-6H
ANSI(AUS) / DIN / JIS	
NPT Thread	1/2-14 NPT
ANSI (US)	

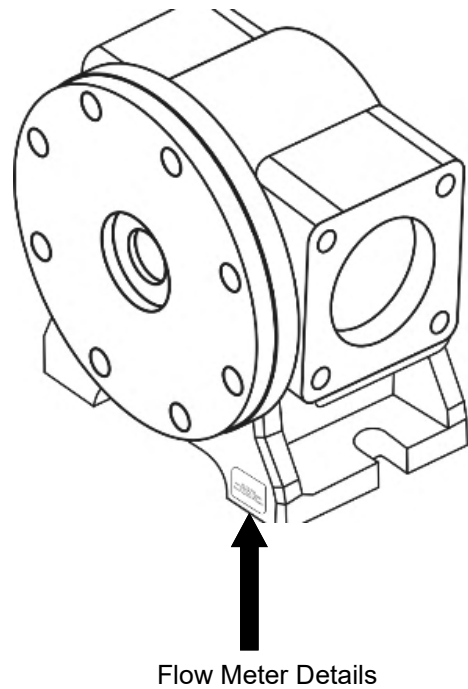
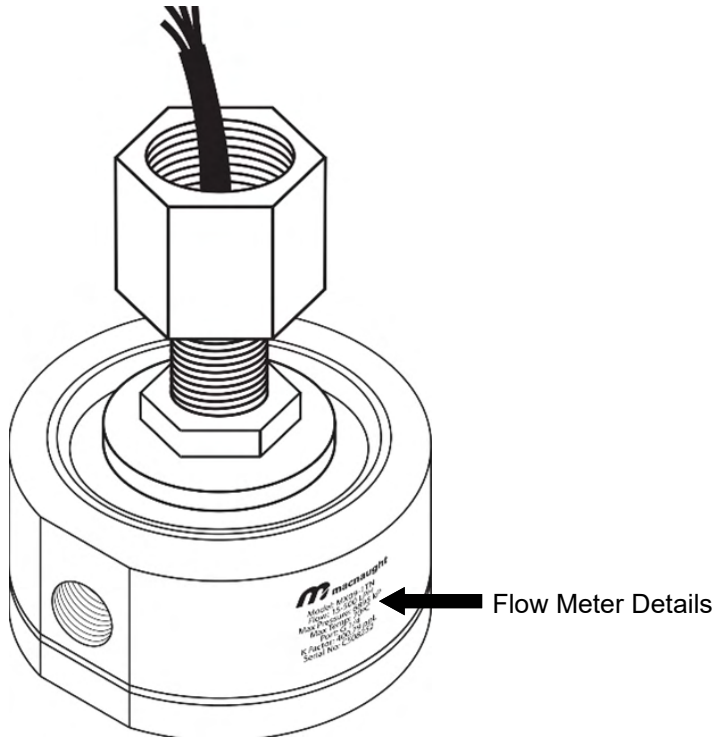


The green wire MUST be connected to an Earth ground.

Flow meter Specs / Data Plate

MX06-MX50: Serial number, Model number, k-factor, flow rate range and temperature details are engraved on meter body. See below FIG

MX75-MX100: Serial number, Model number, k-factor, flow rate range and temperature details are engraved on flow meter data plate. See below FIG



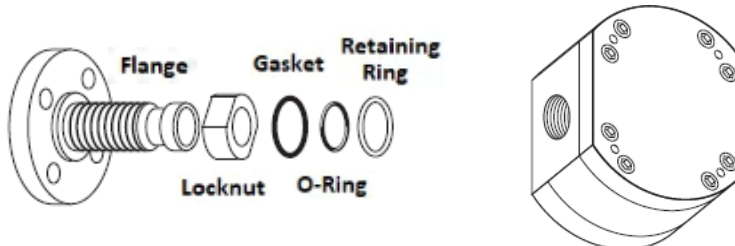
m macnaught	
Model:	MX75F-1SA
Flow Range	20 - 733 LPM
Max Pressure	1200 kPa
Max Temp	80°C
Port Size	K Factor: 2.58 ppL
	G 3
Serial No.	C123456

INSTALLATION OF FLANGES ON MX25, MX40 AND MX50 METERS

1. The locknut, gasket, O-ring and retaining ring to be fitted as shown in the below picture. Make sure that the O-rings and gaskets must not have any damages.
2. Both flanges to be equally screwed to the meter body meeting end to end dimensions and bolt pattern on the flange face
3. The lock nuts to be tightened to a specified torque as mentioned in the below table

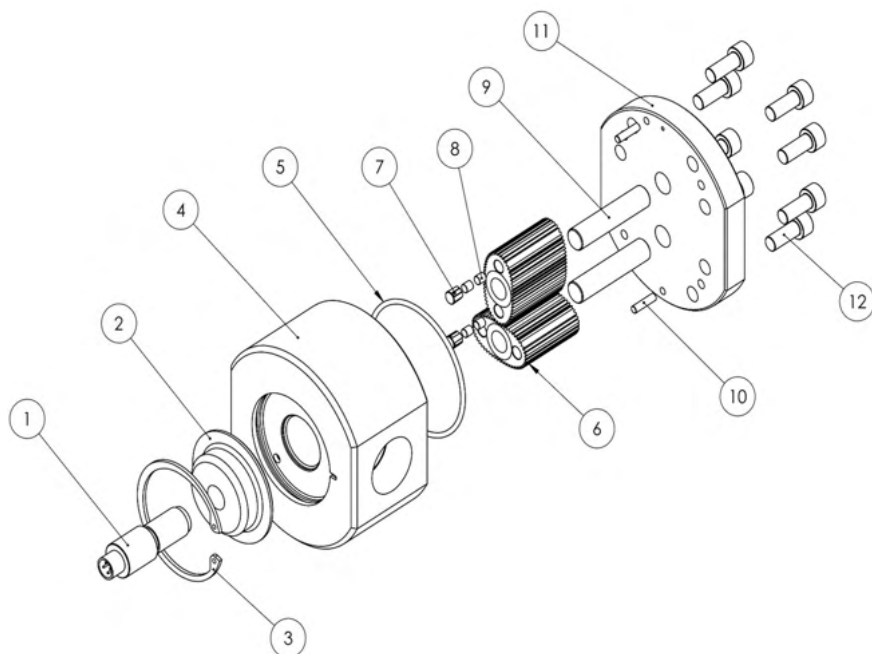


Use a good quality grease for Gasket & O-ring and a good quality anti-crease on flange threads



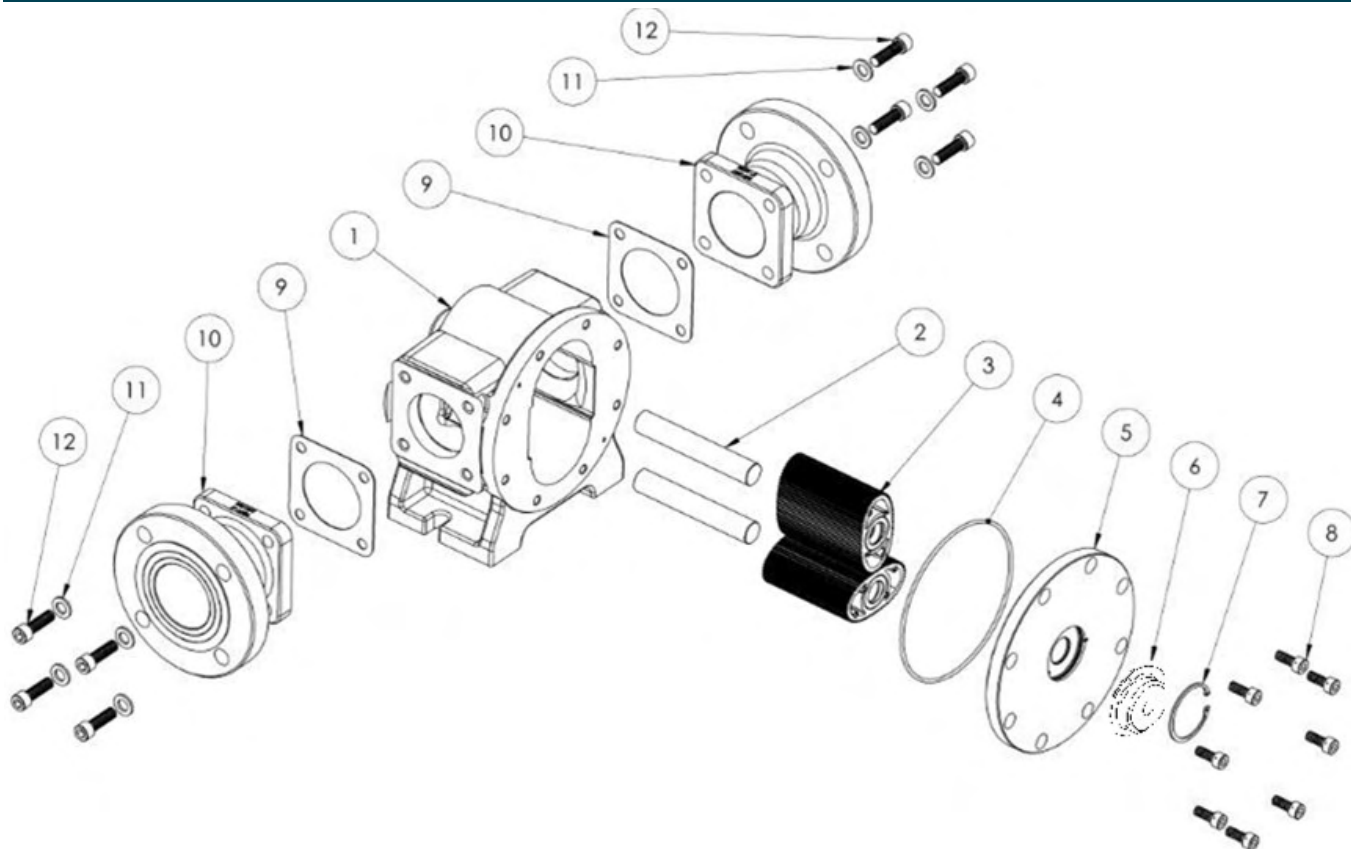
Meter	Lock Nut Torque	ANSI / ASTM	DIN	JIS	End to End
MX25	20 Nm	1" 150 LB B16.5	DN25 PN 16 EN1092-1	25A 10K JIS B 2220	240 mm
MX40	30 Nm	1.5" 150 LB B16.5	DN40 PN 16 EN1092-1	40A 10K JIS B 2220	240 mm
MX50	40 Nm	2" 150 LB B16.5	DN50 PN 16 EN1092-1	50A 10K JIS B 2220	264 mm

EXPLODED DIAGRAM (Models MX06-MX50)



METER COMPONENTS	ITEM NO
SENSOR	1
SENSOR HOLDER	2
CIRCLIP	3
METER BODY	4
METER CAP O-RING	5
ROTORS	6
MAGNET HOUSING	7
MAGNETS	8
ROTOR SHAFTS	9
LOCATING PIN	10
METER CAP	11
METER CAP SCREWS	12

EXPLODED DIAGRAM (Models MX75-MX100)



METER COMPONENTS	ITEM NO	METER COMPONENTS	ITEM NO
METER BODY	1	CIRCLIP	7
ROTOR SHAFTS	2	METER CAP BOLTS	8
ROTORS	3	FLANGE SEALS	9
METER CAP O-RING	4	PROCESS CONNECTION (FLANGED OR THREADED)	10
METER CAP	5	FLANGE WASHERS	11
CAM	6	FLANGE BOLTS	12

TROUBLESHOOTING GUIDE

Problem	Cause	Remedy
Fluid will not flow through meter	<ul style="list-style-type: none"> a) Foreign matter blocking rotors b) Line strainer blocked c) Damaged rotors d) Meter connections over tightened e) Fluid is too viscous 	<ul style="list-style-type: none"> a) Dismantle meter, clean rotors (strainer must be fitted in line) b) Clean strainer c) Replace rotors (Strainer must be fitted in line) d) Re-adjust connections e) See specifications for maximum viscosity
Reduced flow through meter	<ul style="list-style-type: none"> a) Strainer is partially blocked b) Fluid is too viscous 	<ul style="list-style-type: none"> a) Clean strainer b) See specifications for maximum viscosity
Meter reading inaccurate	<ul style="list-style-type: none"> a) Fluid flow rate is too high or too low b) Air in fluid c) Excess wear caused by incorrect installation 	<ul style="list-style-type: none"> a) See specifications for minimum and maximum flow rates b) Bleed air from system c) Check meter body and rotors. Replace as required. Refer to installation instructions
Meter not giving a pulse signal	<ul style="list-style-type: none"> a) Faulty hall effect switch b) Faulty reed switch c) Magnets failed 	<ul style="list-style-type: none"> a) Replace PCB Board b) Replace PCB Board c) Replace magnets
LCD register not working	<ul style="list-style-type: none"> a) Battery not connected properly b) Battery flat c) Faulty wiring connections d) Faulty LC Display e) Faulty connection from LC Display 	<ul style="list-style-type: none"> a) Check battery connections b) Replace battery c) Check wiring for loose or faulty connections d) Replace LC Display e) Check wiring connections

MAINTENANCE VIDEOS

Macnaught provides an comprehensive set of 'Maintenance Videos' to assist the end user in all aspects of service and / or repair of the flow meter range.

This web based resource can be accessed by scanning the QR.



WETTED PARTS

Wetted Parts	MX06P	MX09P - MX12P	MX19P - MX50P		MX75P - MX100P
METER BODY	SS 316	SS 316	SS 316		*
METER CAP	SS 316	SS 316	SS 316		*
ROTORS	SS 316	SS 316	SS 316/PEEK **		*
HIGH VISCOSITY ROTORS	-	SS 316	SS 316		*
ROTOR SHAFTS	SS 316	SS 316	SS 316		*
ROTOR BUSHES	CARBON	CARBON	CARBON		*
O-RINGS	FEP	FEP	FEP		*
Wetted Parts	MX06S	MX09S - MX12S	MX19S - MX25S	MX40S - MX50S	MX75S - MX100S
METER BODY	AL	AL	AL	AL	AL
METER CAP	AL	AL	AL	AL	AL
ROTORS	SS 316	SS 316	SS 316/PEEK **	AL/PEEK **	AL
HIGH VISCOSITY ROTORS	-	SS 316	SS 316	AL	AL
ROTOR SHAFTS	SS 316	SS 316	SS 316	SS 316	SS 316
ROTOR BUSHES	CARBON	CARBON	CARBON	CARBON	CARBON
O-RINGS	FEP	FEP	FEP	FEP	FEP

* Currently Unavailable

** SS 316 and AL rotors are assembled with carbon bushes. PEEK rotors do not have carbon bushes.

FEP - PTFE Encapsulated

SS 316 - Stainless Steel 316

AL - Aluminium Alloy

PEEK - Polyether ether ketone

SPARE PARTS KITS

Category "P"	ROTOR KIT			SEAL KIT
	High Temperature SS 316	High Viscosity SS 316 (High Temp)	PEEK	
MX06P	MXS-06P-HTROTOR	-	-	MXS-06P-SEAL
MX09P	MXS-09P-HTROTOR	MXS-09P-HVROTOR	-	MXS-09P-SEAL
MX12P	MXS-12P-HTROTOR	MXS-12P-HVROTOR	-	MXS-12P-SEAL
MX19P	MXS-19P-HTROTOR	MXS-19P-HVROTOR	MXS-19P-PROTOR	MXS-19P-SEAL
MX25P	MXS-25P-HTROTOR	MXS-25P-HVROTOR	MXS-25P-PROTOR	MXS-25P-SEAL
MX40P	MXS-40P-HTROTOR	MXS-40P-HVROTOR	MXS-40P-PROTOR	MXS-40P-SEAL
MX50P	MXS-50P-HTROTOR	MXS-50P-HVROTOR	MXS-50P-PROTOR	MXS-50P-SEAL
MX75P	-	-	-	-
MX100P	-	-	-	-

Category "S"	ROTOR KIT			SEAL KIT
	Standard	High Viscosity	PEEK	
MX06S	MXS-06S-ROTOR	-	-	MXS-06S-SEAL
MX09S	MXS-09S-ROTOR	MXS-09S-HVROTOR	-	MXS-09S-SEAL
MX12S	MXS-12S-ROTOR	MXS-12S-HVROTOR	-	MXS-12S-SEAL
MX19S	MXS-19S-ROTOR	MXS-19S-HVROTOR	MXS-19S-PROTOR	MXS-19S-SEAL
MX25S	MXS-25S-ROTOR	MXS-25S-HVROTOR	MXS-25S-PROTOR	MXS-25S-SEAL
MX40S	MXS-40S-ROTOR	MXS-40S-HVROTOR	MXS-40S-PROTOR	MXS-40S-SEAL
MX50S	MXS-50S-ROTOR	MXS-50S-HVROTOR	MXS-50S-PROTOR	MXS-50S-SEAL
MX75S	MXS-75S-ROTOR	MXS-75S-HVROTOR	-	MXS-75S-SEAL
MX100S	MXS-100S-ROTOR	MXS-100S-HVROTOR	-	MXS-100S-SEAL

- Currently Unavailable

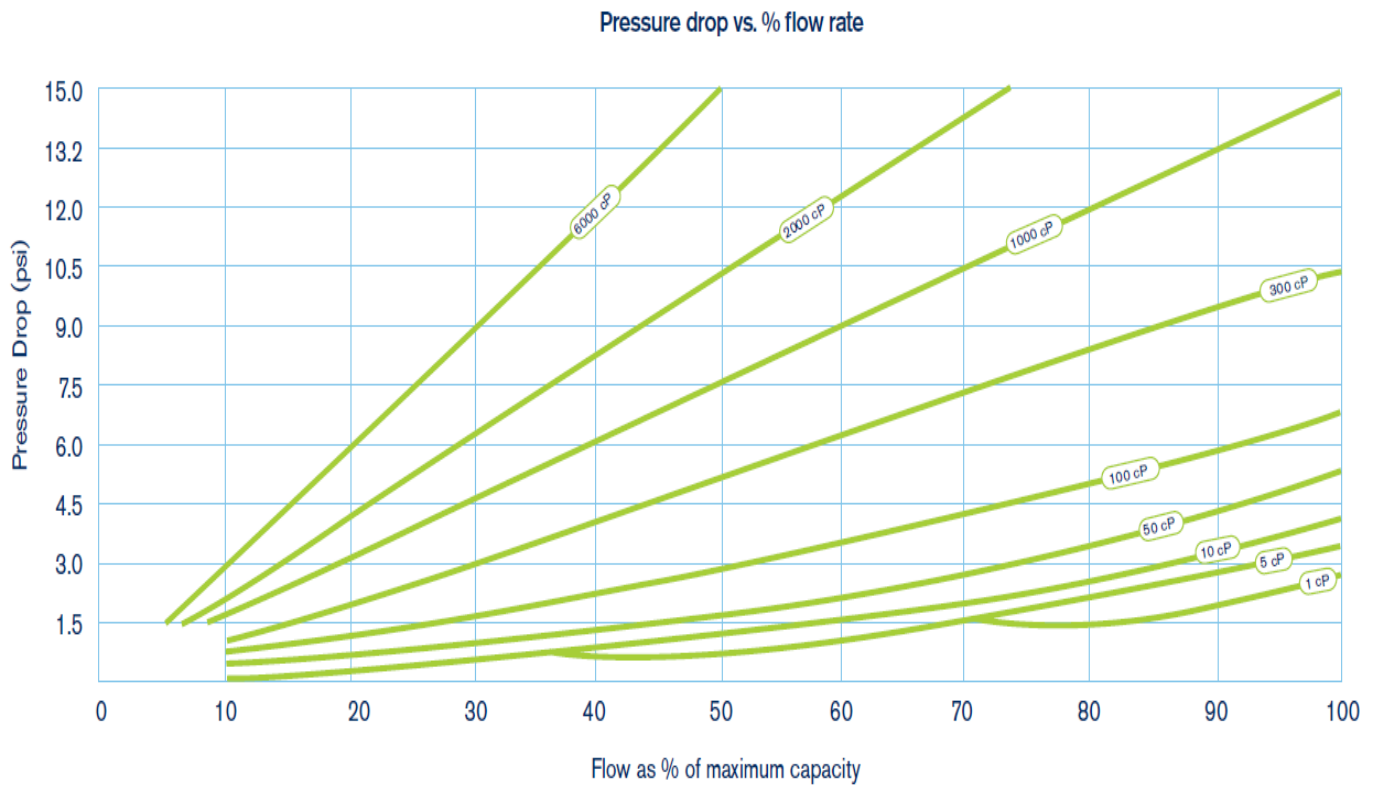
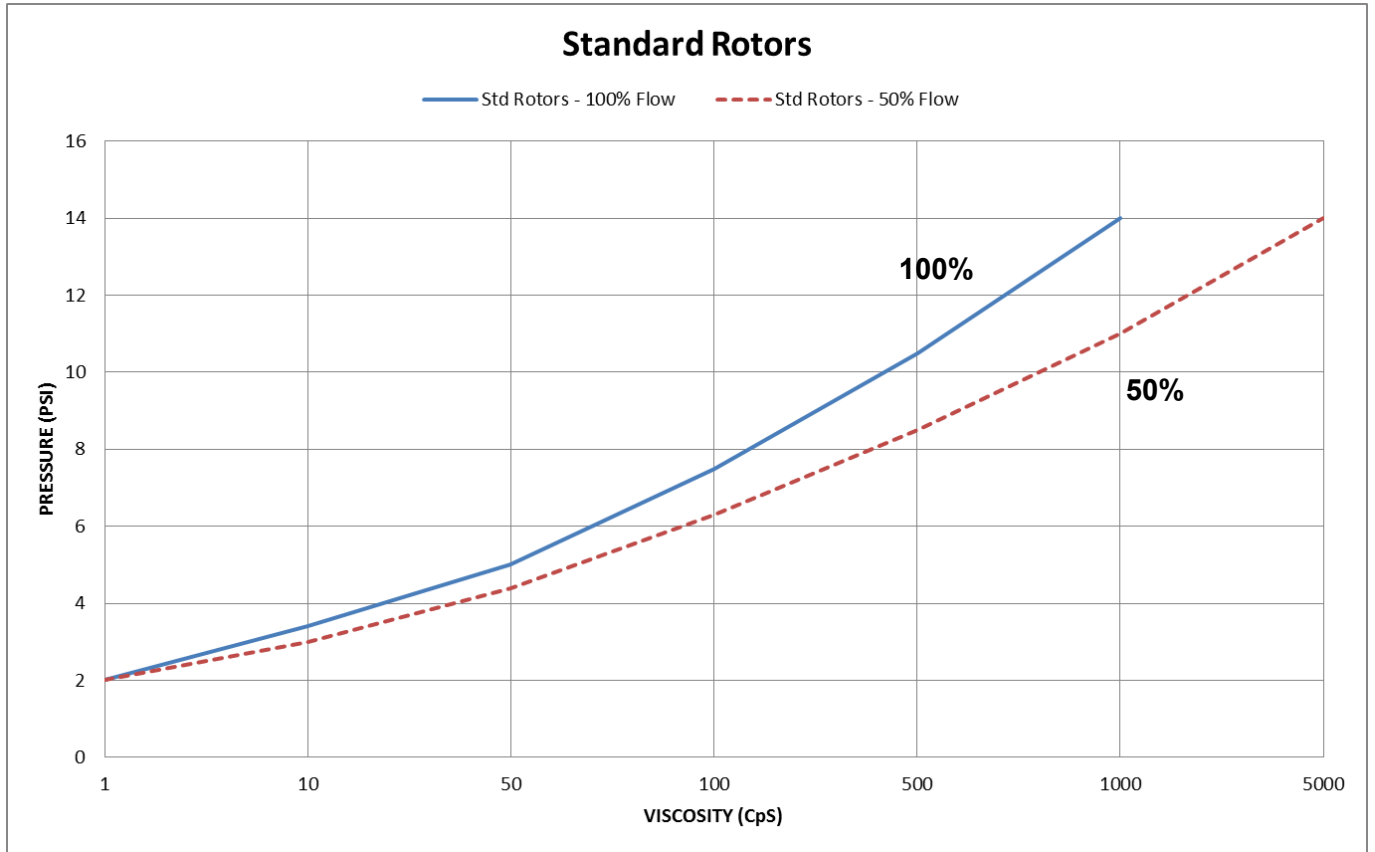
PULSER KIT	Ex ia, NPN	Sensor kit	MXD-BS
		Sensor Socket kit	MXS-SOCKET
	Ex ia, NAMUR	Sensor kit	MXD-NS
		Sensor Socket kit	MXS-SOCKET-NAMUR
	Ex d Conduit: M20 x 1.5	Sensor kit	MXD-CS
		Sensor Socket kit	MXS-SOCKETM12
	Ex d Conduit: ½" NPT	Sensor kit	MXD-C2S
		Sensor Socket kit	MXS-SOCKETM12



Note !

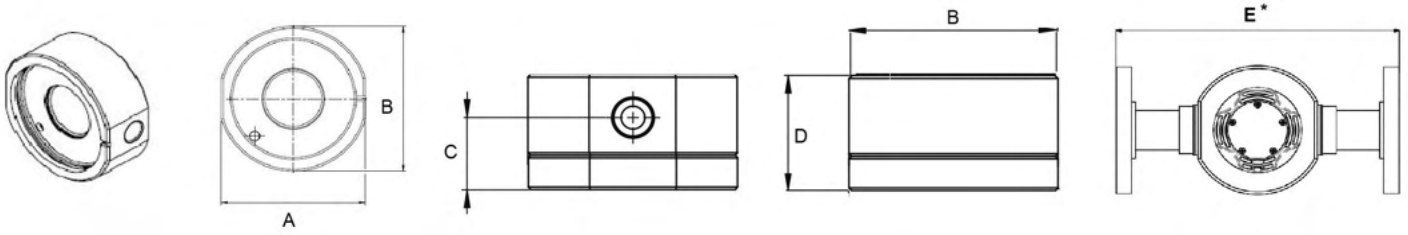
To check for more service kits, Contact Macnaught.

PRESSURE DROP v VISCOSITY



DIMENSIONS

Flow Meters MX06 - MX50



Flow meter	A (mm)	B (mm)	C (mm)	D (mm)	E (mm)
MX06	71	74	25	42	N/A
MX09	71	74	25	42	N/A
MX12	81	87	28	49	N/A
MX19	100	112	37	62	N/A
MX25	100	112	45	75	240*
MX40	120	137	61	120	240*
MX50	140	153	72	123	264*

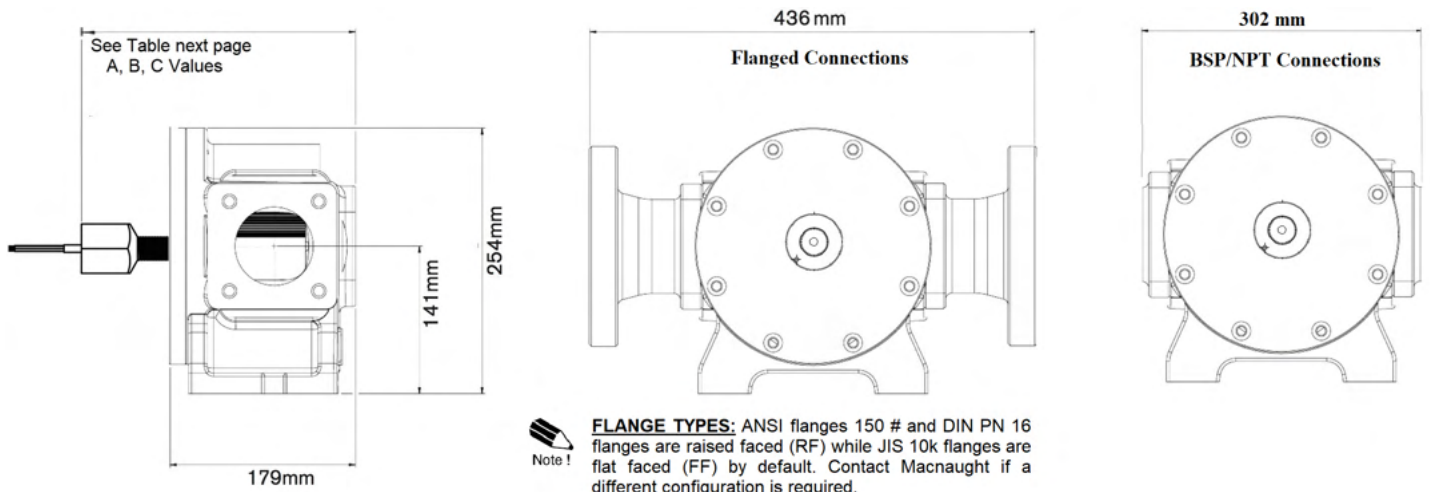


Note !

FLANGE TYPES: ANSI flanges 150 # and DIN PN 16 flanges are raised faced (RF) while JIS 10k flanges are flat faced (FF) by default. Contact Macnaught if a different configuration is required.

DIMENSIONS

Flow Meters MX75

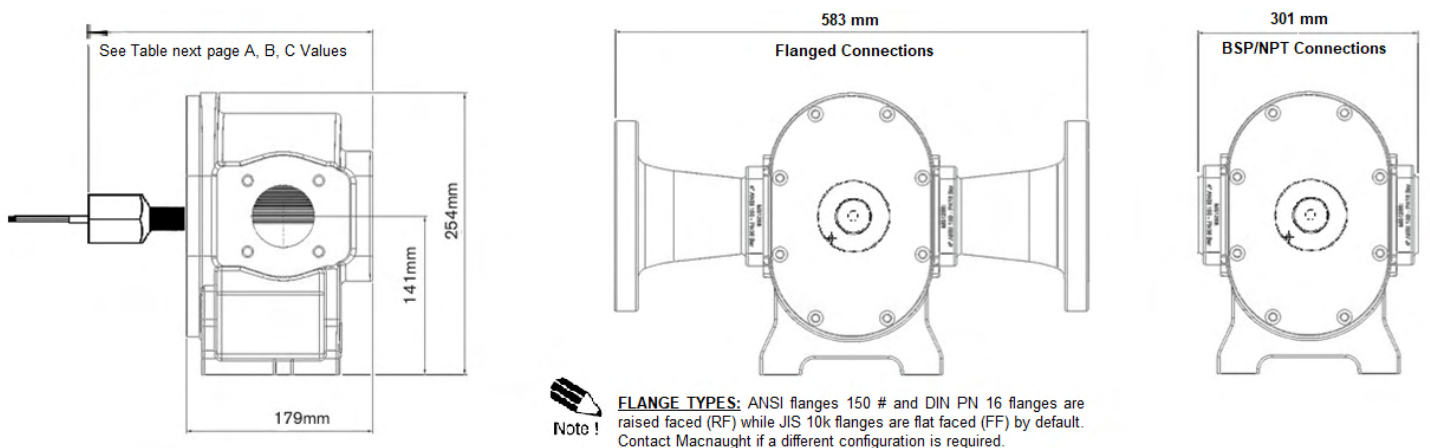


Note !

FLANGE TYPES: ANSI flanges 150 # and DIN PN 16 flanges are raised faced (RF) while JIS 10k flanges are flat faced (FF) by default. Contact Macnaught if a different configuration is required.

DIMENSIONS

Flow Meters MX100



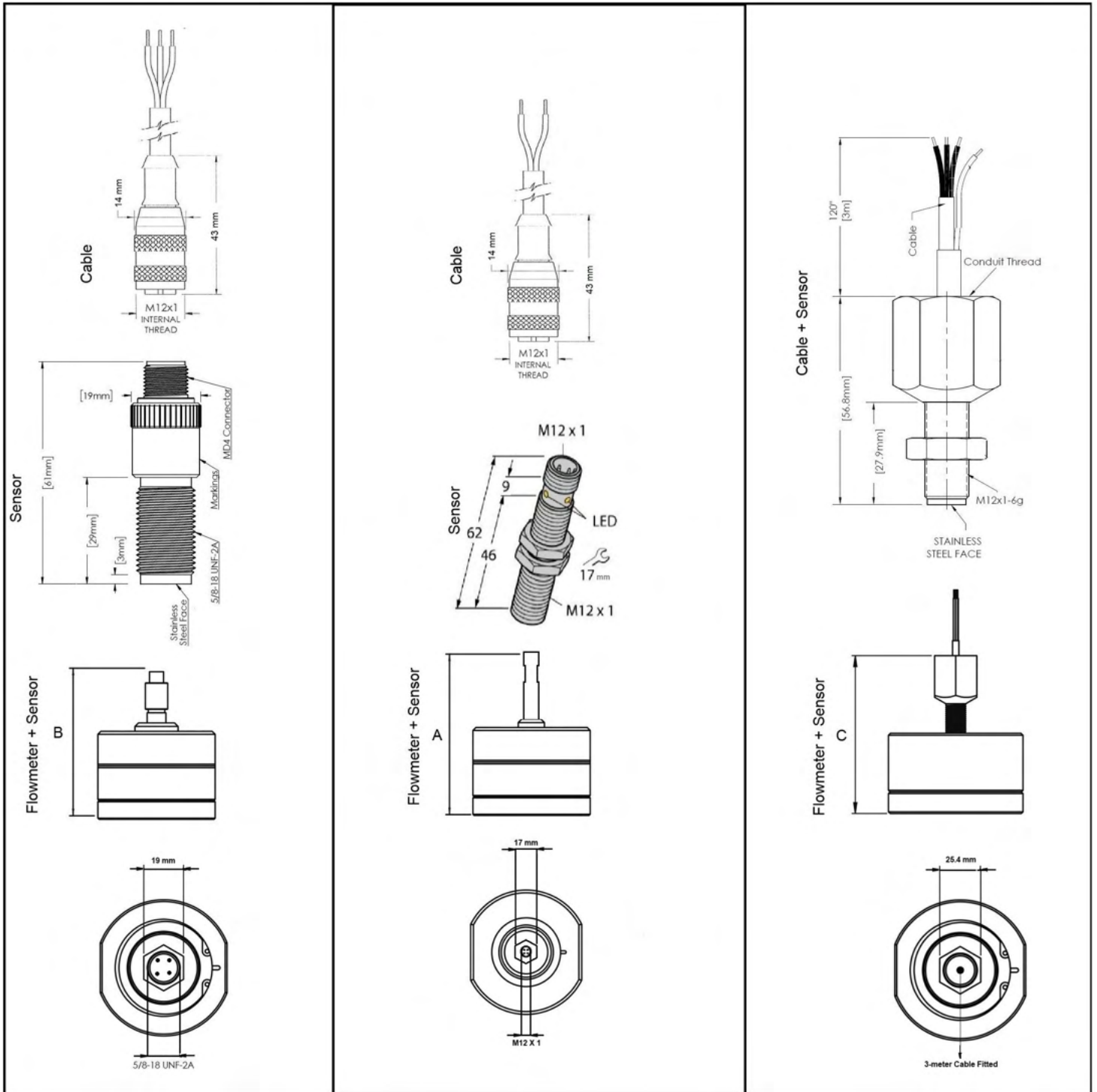
Note !

FLANGE TYPES: ANSI flanges 150 # and DIN PN 16 flanges are raised faced (RF) while JIS 10k flanges are flat faced (FF) by default. Contact Macnaught if a different configuration is required.

Sensor "B"

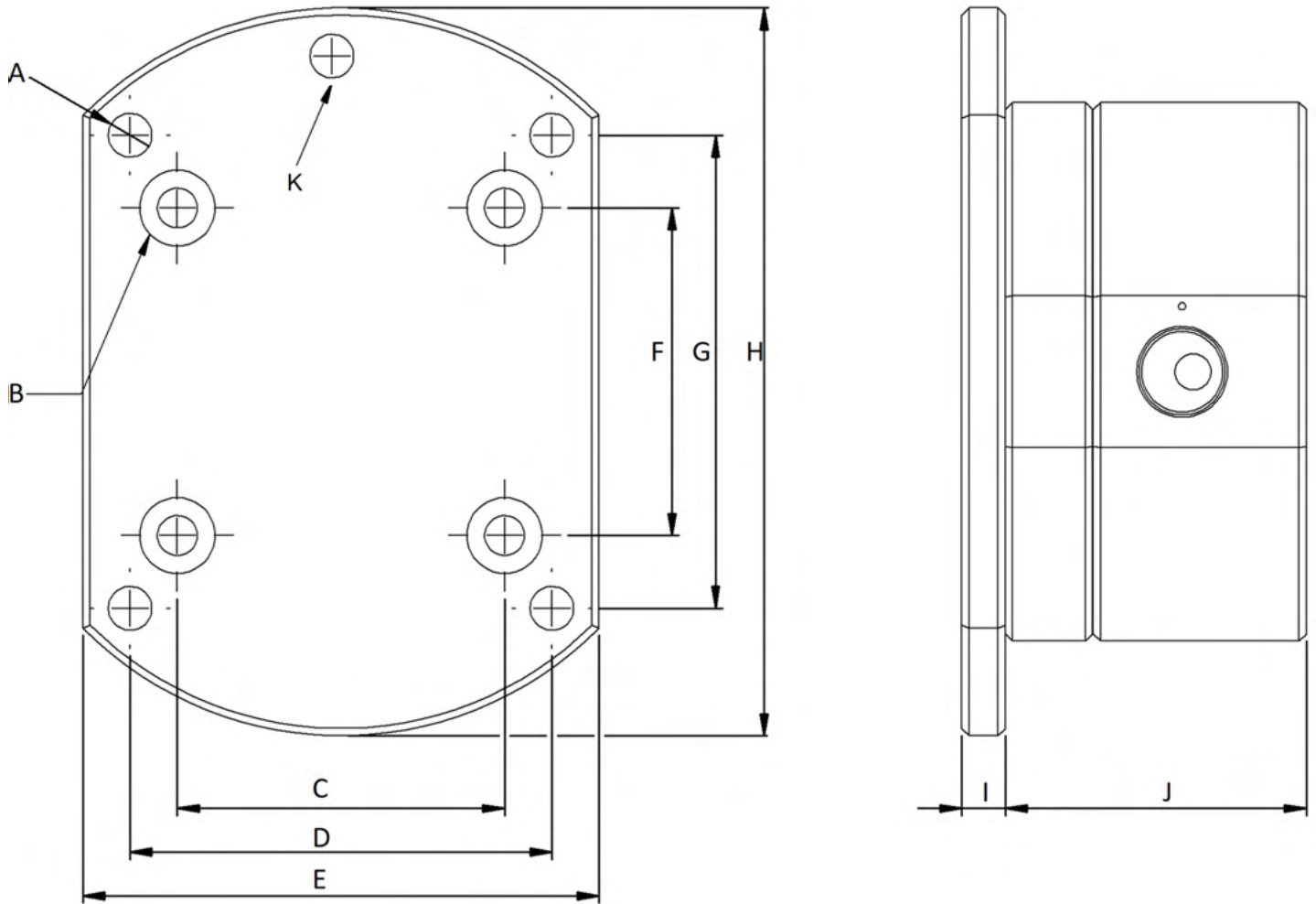
Sensor "N"

Sensor "C"



Flow meter	A (mm)	B (mm)	C (mm)
MX06	94	93	89
MX09	94	93	89
MX12	101	100	96
MX19	114	113	109
MX25	127	126	122
MX40	154	153	149
MX50	175	174	170
MX75	237	236	232
MX100	283	282	278

WALL MOUNT ADAPTOR (MX06 - MX25)



Meters	A (Ø mm)	B (Ø mm)	C (mm)	D (mm)	E (mm)	F (mm)	G (mm)	H (Ø mm)	I (mm)	J (mm)	K (Ø mm)
MX06 - MX09	6	5.5	45	58	71	45	65	100	6	42	M5x0.8
MX12	6	5.5	47	69	81	47	73	113	6	49	M5x0.8
MX19	7	6.6	61	85	100	61	95	143	6	62	M6x1.0
MX25	7	6.6	61	85	100	61	95	143	6	75	M6x1.0

A Wall Mount Holes (4)

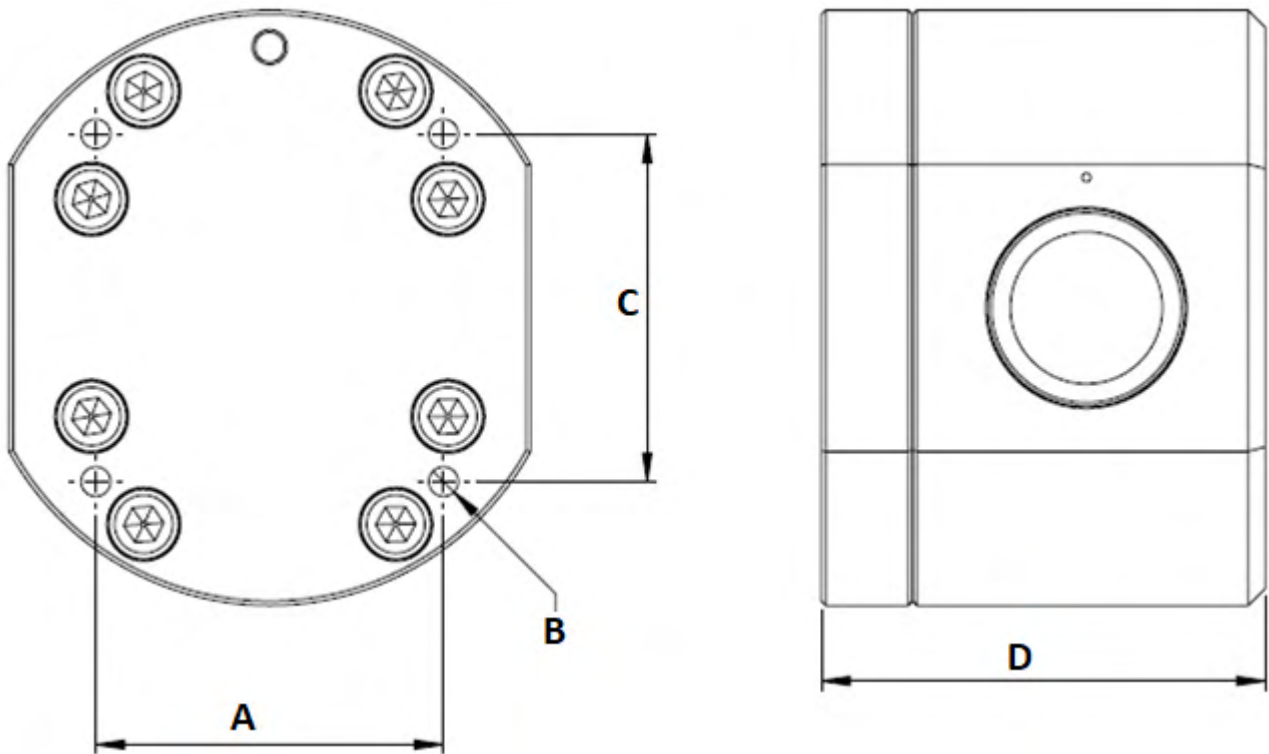
B SS Countersunk screws to be supplied with the wall mount bracket
 5 mm in diameter and 16 mm in length for MX06 - MX12 meters
 6 mm in diameter and 20 mm in length for MX19 - MX25 meters

K Earthing Point



Note!

WALL MOUNT THREAD POSITION ON FLOWMETER'S CAP (MX06 - MX50)



Meters	A	B	C	D
MX06	45	M5 x 0.80	45	42
MX09	45	M5 x 0.80	45	42
MX12	47	M5 x 0.80	47	49
MX19	61	M6 x 1.00	61	62
MX25	61	M6 x 1.00	61	75
MX40	80	M8 x 1.25	80	102
MX50	80	M8 x 1.25	100	123



Note !

B Mounting Holes x 4
Earthing Points x 4 (Any of them can be used)

EU Declaration of Conformity



We: Macnaught Pty Ltd Of:
41-49 Henderson St
Turrella NSW 2205
AUSTRALIA

Declare that:

Macnaught Flow Meters prefixed MX, F, CR, M (MH) or S, in accordance with the following Directive; 2006/42/EC Machinery Directive (and its amending directives), have been designed and manufactured to the following specifications; **EN ISO 12100-1:2010 Safety of Machinery**

Declare that:

Macnaught Flow Meters prefixed MX, F, CR, M (MH) or S with flange nominal bores sizes up to 4", comply with the requirements of the Pressure Equipment Directive (PED) - 2014/68/EU under the definition of Pressure accessory, designed and manufactured in accordance with the Sound Engineering Practice, based on the classification below:

Article 4, Paragraph 3; Chart 9 Piping intended for Liquids Group II: Sound Engineering Practice without restrictions

Article 4, Paragraph 3; Chart 8 Piping intended for Liquids Group I: Sound Engineering Practice with the following restrictions

Port nominal size	Max Pressure rating for Group I Liquids
1-1/2" (40mm)	725psi
2" (50mm)	580 psi

Declare that:

Macnaught Flow Meter accessories prefixed MXD family of pulse boards (Macnaught designed) as fitted to the Flow Meters, in accordance with the following Electromagnetic Compatibility – Directive 2014/30/EU (and its amending directives), have been designed and manufactured to the following specifications; **EN61326-1:2013 Electromagnetic Compatibility – Electrical equipment for measurement, control and laboratory use**, industrial electromagnetic environment.

Declare that:

Macnaught Flow Meter accessories prefixed DR, ER or PR as fitted to the Flow Meters or remotely mounted, have been designed and manufactured to the following specifications; **EN61326-1:2006 Electromagnetic Compatibility – Electrical equipment for measurement, control and laboratory use**, industrial electromagnetic environment. After due consideration, it has been assessed that the technical requirements of EN61326-1:2013 have not changed from EN61326-1:2006 for industrial electromagnetic environments, and is therefore in conformance with the following Electromagnetic Compatibility – Directive 2014/30/EU (and its amending directives).

Declare that:

Macnaught Flow Meters prefixed MX, F, CR, M (MH) or S with flange nominal bores sizes up to 4" are manufactured in accordance with the following Directive; **RoHS Directive 2011/65/EU** and amendments **(EU) 2015/863** and **(EU) 2017/2102**.

I hereby declare that the equipment named above has been designed to comply with the relevant sections of the above referenced specifications. The product complies with all essential requirements of the Directives. This declaration is no longer valid if the unit is modified without our agreement.

Name: Marco Uccellani
Position: Engineering Manager
Date: 06/11/2020
Done at: Macnaught Pty Ltd; 41-49 Henderson St; Turrella NSW 2205; Australia

Signature:





EU - Declaration of Conformity Directive 2014/34/EU (ATEX)

Macnaught Pty Limited, 41-49 Henderson St, Turrella NSW 2205 Sydney Australia, herewith confirms that the products listed below comply with the basic requirements of the relevant directives concerning design, construction, health, safety and marketing. This declaration is no longer valid if the unit is modified without agreement from Macnaught.

Type of unit

MX Series Flow Meters

Description of the unit

Oval gears flow meter

Product Classification

Equipment Group	II
Equipment Category	2
Explosive Atmosphere	G

Explosion Protection

Fulfilling of non-electrical explosion protection requirements for the oval gear flow meter.

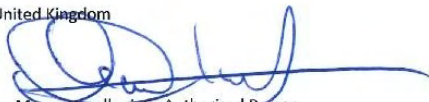
The evaluation of ignition hazards by means of a risk analysis shows that there is no own potential source of ignition during normal and expected abnormal operation. The oval gears are enclosed within a suitable body which contains the process fluid. The body & oval gears can be made of Aluminium or Stainless Steel. The products mentioned in this document comply with the requirements of harmonised standards BS EN ISO 80079-36 and BS EN ISO 80079-37 and can be used in hazardous areas as Category 2 devices. As these devices have no own energy sources that could lead to an increase in temperature, the process fluid temperature can be taken as surface temperature.

Equipment	Harmonised Standard Applied	Notified Body	Notification of Receipt of Technical Documentation Number	Marking
Non-electrical part	BS EN ISO 80079-36	SIRA 0518	SIRA 15XT063	II 2 G k TX*
	BS EN ISO 80079-37			* See Manual
Electronic Sensor (MX7)	Please refer to Manufacturer Declaration of Conformity			
Electronic Sensor (MX7N)	Please refer to Manufacturer Declaration of Conformity			
Electronic Sensor (MX8)	Please refer to Manufacturer Declaration of Conformity			

SIRA: CSA Group Testing UK Ltd - Unit 6 Hawarden Industrial Park Hawarden, CH5 3US, United Kingdom


Minh Tran, Head of Manufacturing


Darren Anderson, Quality Manager


Marco Uccellini, Ex Authorised Person

Issue: 1
QA-CN7210
Issued by: D. Anderson

Utrechtseweg 310
6812 AR Arnhem
Netherlands
+31 (0) 26 356 2856
www.csagroup.org



Our Ref: 80069690
Date: 11 Mar. 21
Subject: Receipt of Technical Documentation, ATEX Directive 2014/34/EU, Article 13b ii

Macnaught Pty Ltd
41-49 Henderson Street
Turrella
NSW 2205
Australia

Thank you for choosing CSA Certification Service as your notified body for the storage of your technical documents.

The products listed below have been received and will be retained for the remainder of the storage period which will end on 2nd March 2025

Manufacturer reference	CSANe/ Sira Reference	Subject
MAC ATEX TFILE	Sira 15XT063 Rev 3	Oval Gear Flow Meter

Once in storage, should you wish to add additional or amended documents to this file, please write to us quoting the above reference number (fees apply).

Please contact us 30 days prior to the expiry date to confirm whether you would like to renew storage or not. If we do not hear from you, we will assume that you no longer require this service and will remove the file.

You should note that technical documentation must be retained for ten (10) years after the last date of production.

On behalf of CSA Certification Service

A handwritten signature in blue ink, appearing to read 'Suzanne Smith'.

Certification Officer

suzanne.smith@csagroup.org



The WEEE Directive requires the recycling of waste electrical and electronic equipment in the European Union.

Whilst the WEEE Directive does not apply to some of Macnaught's products, we support its policy and ask you to be aware of how to dispose of this product.

The crossed out wheeled bin symbol illustrated and found on our products signifies that this product should not be disposed of in general waste or landfill.

Please contact your local dealer national distributor or Macnaught Technical Services for information on product disposal.



Macnaught USA Inc – Serves the Americas

614 S Ware BLVD
Tampa, FL 33619

(813) 628-5506
info@macnaughtusa.com

www.macnaughtusa.com

