



KL-92 Series PFA/PTFE Pressure Transmitter

Features

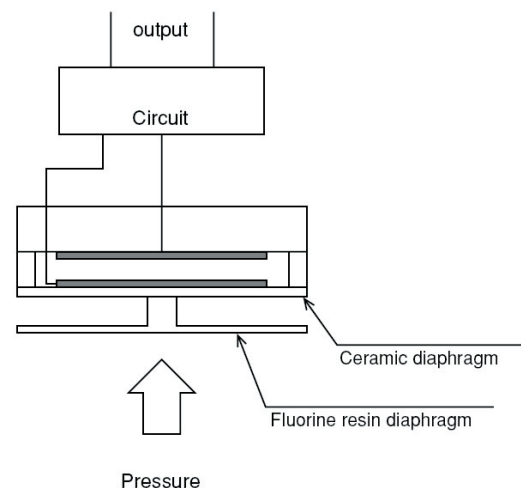
- +/- 1 % full-scale accuracy
- All PFA/PTFE wetted part construction
- No o-ring seals or fill fluids
- Choice of end fitting: Flare, Pillar, 20S, MNPT, or Tube

Description

The KL-92 is a pressure transducer suitable for use in monitoring pressure of various high-purity and corrosive/ aggressive fluids. The superior design provides for minimal “dead volume” which reduces the potential for contamination of the measured fluid / process. The KL-92 is available in two construction types: inline or insertion. The body construction meets IP-54 requirements.

Operation

The o-ring free design minimizes the generation of containment and the elution of metal, which makes it suitable for pressure monitoring in the semiconductor industry. All wetted parts are made of fluoropolymers (PFA, PTFE). The sensor is IP-54 rated to meet the application requirement for semiconductor’s wet environments.



Applications

- High-purity DI water, slurry, and aggressive chemical monitoring
- Filtration condition monitoring
- General pressure monitoring

Measurement Specifications

Material of wetted parts	PFA / PTFE	
Pressure Range	0 to 50 psi, to 75 psi	
Allowable maximum pressure	120 psi	
Temperature coefficient	+/- 0.05 % F.S. / deg. C	
Power and supply current	12-24 VDC * +/-10% (30 mA DC max.)	
Analog output	Voltage output	0 to 10, 0 to 5, 1 to 5 VDC
	Current output	4 to 20 mA (500 ohm max at 24 VDC)
	Output accuracy	+/- 1 % F.S.
	Response time	Within 5 ms
Connection types	Flaretek, Super Pillar 300, Tube ends, MNPT	
Connection sizes	1/4", 3/8", 1/2", 3/4"	
Operating fluid temperature range	10 to 80°C	
Operating humidity range	35 to 85 % RH (non-condensing)	
Protection	IP-54 (Splash Proof)	
Cable length	2 m	
Weight	140 g (with cable)	

* 24 VDC ±10% power supply required for 0 to 10 VDC / 4-20 mA outputs

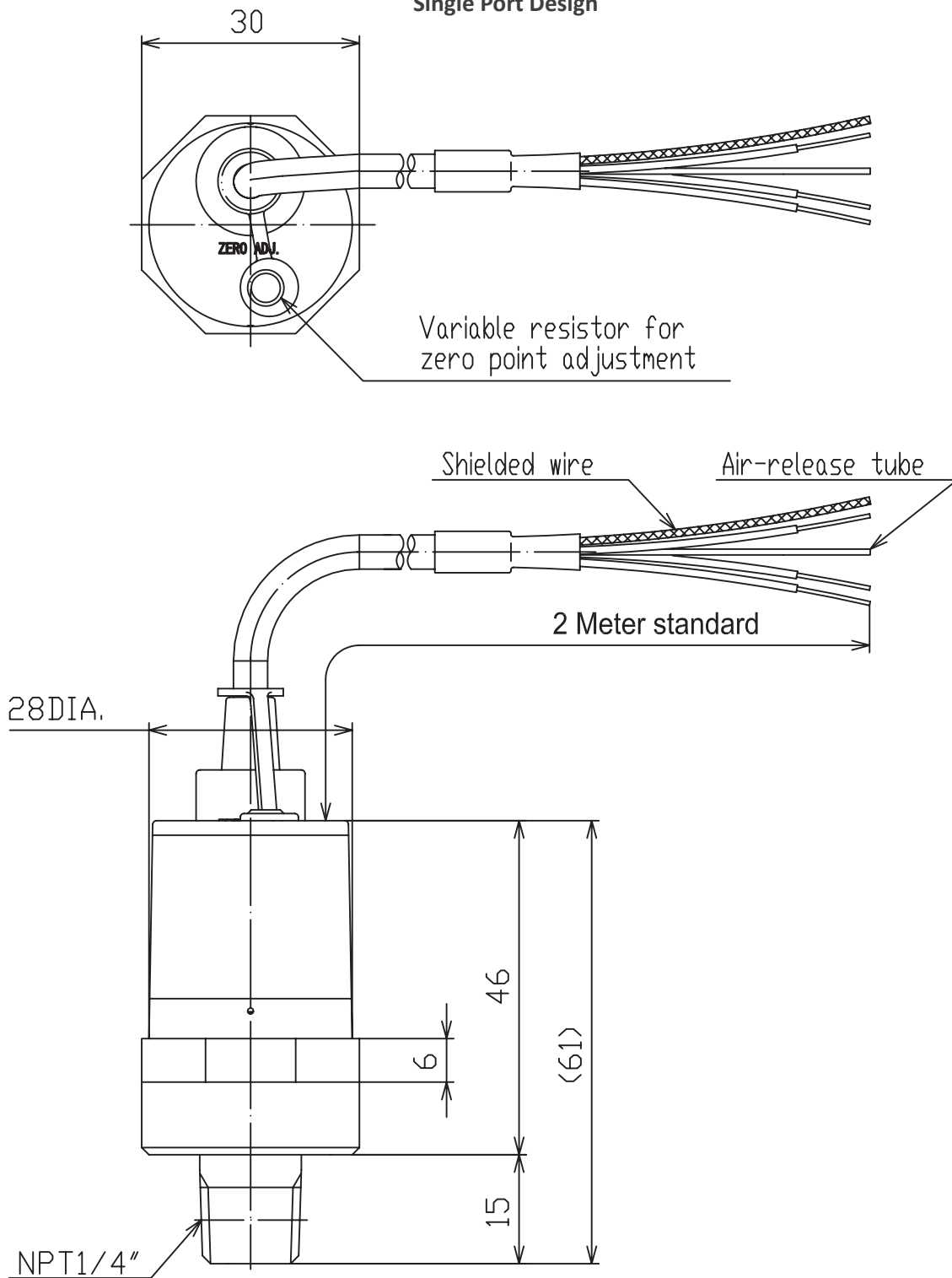
Corporate Headquarters
 1060 S Rogers Circle
 Boca Raton, FL 33487
 P: (561) 995-0595 F: (561) 995-0622

West Coast Headquarters
 2225 Martin Avenue Suite I
 Santa Clara, CA 95050
 P: (408) 970-3419 F: (408) 970-3426

Asia Headquarters
 29 Woodlands Industrial Park E1 Northtech Unit #
 02-06 Singapore 757716
 P: (65) 6482-3533 F: (65) 6484-4231

Dimensional and Cut-Away Drawings

Single Port Design

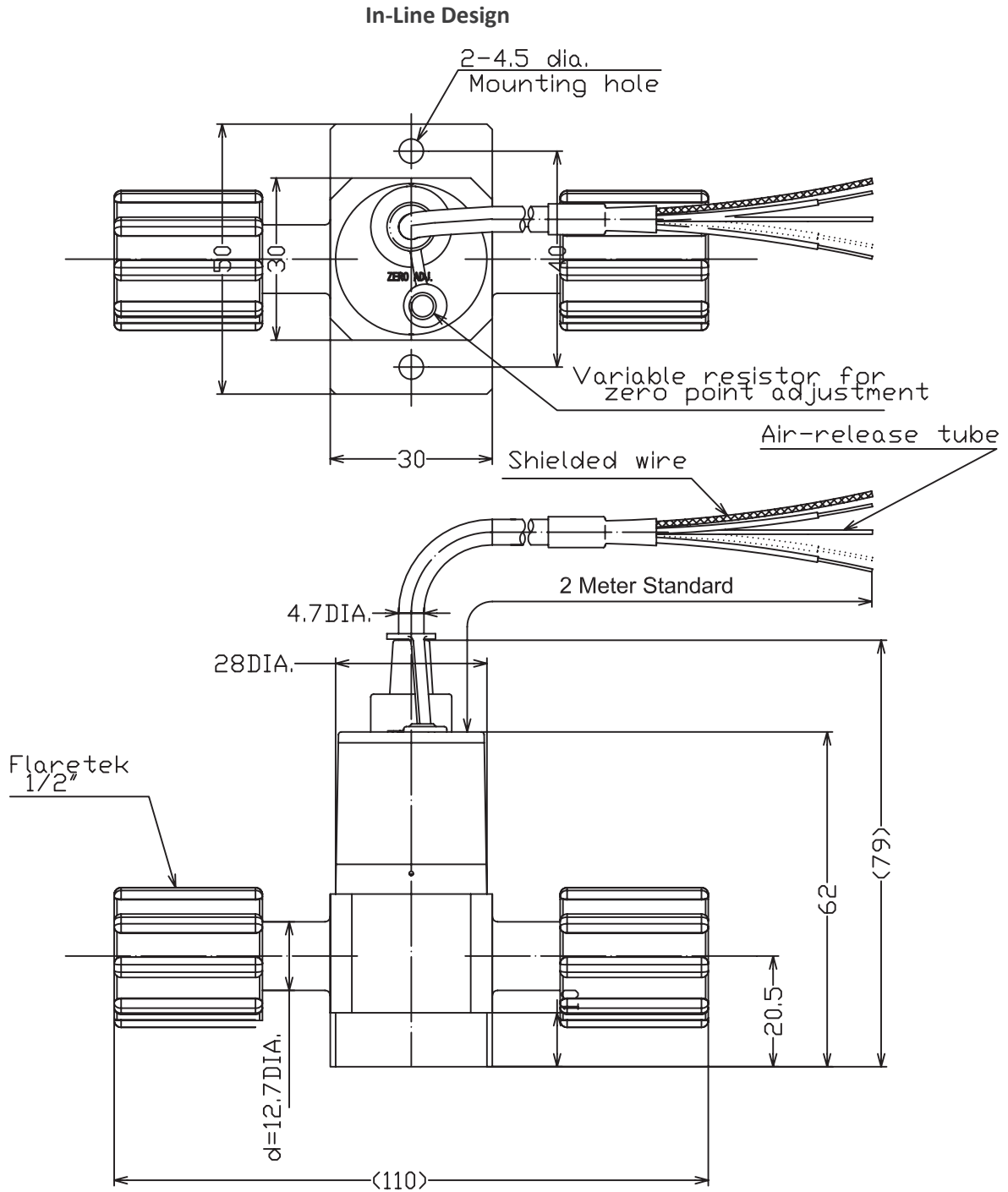


Corporate Headquarters
1060 S Rogers Circle
Boca Raton, FL 33487
P: (561) 995-0595 F: (561) 995-0622

West Coast Headquarters
2225 Martin Avenue Suite I
Santa Clara, CA 95050
P: (408) 970-3419 F: (408) 970-3426

Asia Headquarters
29 Woodlands Industrial Park E1 Northtech Unit #
02-06 Singapore 757716
P: (65) 6482-3533 F: (65) 6484-4231

Dimensional and Cut-Away Drawings



Corporate Headquarters
 1060 S Rogers Circle
 Boca Raton, FL 33487
 P: (561) 995-0595 F: (561) 995-0622

West Coast Headquarters
 2225 Martin Avenue Suite I
 Santa Clara, CA 95050
 P: (408) 970-3419 F: (408) 970-3426

Asia Headquarters
 29 Woodlands Industrial Park E1 Northtech Unit #
 02-06 Singapore 757716
 P: (65) 6482-3533 F: (65) 6484-4231

Ordering Information

Model Code							Description
KL-92	-	M	-	-	-	-	Pressure Transducer
	-						
		M					
			1				In-line
			2				Single port
Connection Type			0				Flaretek
			1				Tube
			2				Pillar Super 300 (female)
			3	* Inline type only.			Pillar Super 300 (male)*
			4				20S
			5	* Single port (1/4",3/8") type only.			MNPT
			6				Flaretek (Male)
Size			1				1/4 "
			2				3/8 "
			3				1/2 "
			4	* Inline type only.			3/4"
			5				
			6				
			-				
Input / Output			1	24 VDC			0 ~ 10 VDC
			2	24 VDC			4 ~ 20 mA
			3	12 ~ 24 VDC			1 ~ 5 VDC
			4	12 ~ 24 VDC			0 ~ 5 VDC
				-			
Pressure Range				50			0 ~ 50 psi
				75			0 ~ 75 psi
Cable				1			Shielded Cable / 2m
				2			Turck Cable / 1.2m

KL92 Available Combination

Installation Type I			In-line Type				Single Type			
Port DIA			1/43	/8	1/23	/4	1/43	/8	1/23	/4
Fittings			5/32	1/43	/8	5/85	/321	/4	3/85	/8
Flaretek	FP	TFE	○	○	○	○	○	○	○	-
Tube	-P	TFE	○	○	○	○	○	○	○	-
Pillar S300	FP	TFE	○	○	○	○	○	○	○	-
Pillar S300	MP	FA	○	○	○	○	-	-	-	-
S20	FP	TFE	○	○	○	○	○	○	○	-
MNPT	MP	FA	-	-	-	-	○	○	-	-
Flaretek	MP	FA	○	○	○	○	-	-	-	-

NB:- M is Male, F is Female (Nut Type)

-M ale fittings are welded.

(Sizes are the same as KL95.)

-T ube stub or MNPT are machine drilled cut.

-F or MNPT Single Port Stem Type, 1/4" and 3/8" are the MNPT thread sizes.

Corporate Headquarters
1060 S Rogers Circle
Boca Raton, FL 33487
P: (561) 995-0595 F: (561) 995-0622

West Coast Headquarters
2225 Martin Avenue Suite I
Santa Clara, CA 95050
P: (408) 970-3419 F: (408) 970-3426

Asia Headquarters
29 Woodlands Industrial Park E1 Northtech Unit #
02-06 Singapore 757716
P: (65) 6482-3533 F: (65) 6484-4231