

# FR1000 Series

UHP Single Stage, Pressure Reducing Regulator



## Consistent, Long Life Performance

The FR1000 Series ultra high purity, non-tied diaphragm, pressure reducing regulator provides precise control of process gas resulting in a stable flow and pressure supply to downstream systems making it an excellent choice for valve manifold boxes, gas cabinets, and many other point of use semiconductor manufacturing applications.

The standard Hastelloy C-22® diaphragm and integrated filtration promotes long life performance while the metal-to-metal diaphragm seal assures high leak integrity.



## Contact Information:

Parker Hannifin Corporation  
**Veriflo Division**  
250 Canal Blvd  
Richmond, California 94804

phone 510 235 9590  
vfo.quotes@support.parker.com  
vfo.support@support.parker.com

www.parker.com/veriflo  
Mobile App: m.parker.com/veriflo

## Product Features:

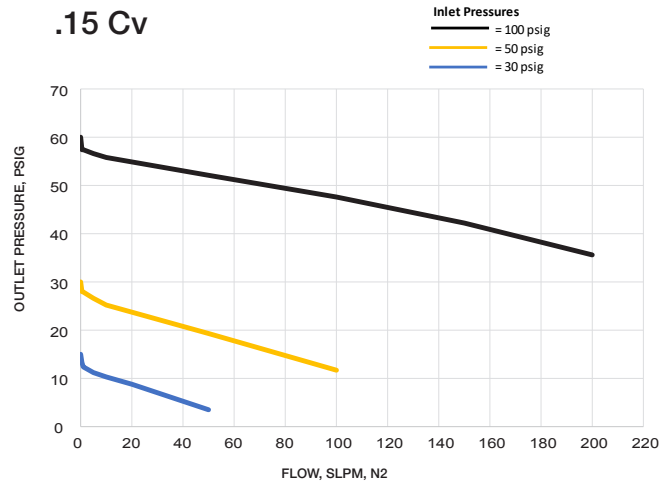
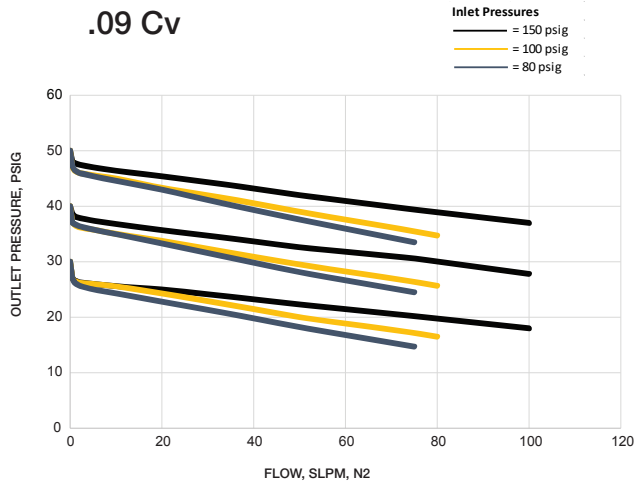
- 316L stainless steel body
- Manufactured for ultra high purity gas delivery applications
- Metal-to-metal diaphragm seal standard
- Passivated & electropolished
- Integrated filtration
- Hastelloy® diaphragm standard
- 10  $\mu$  in. Ra surface finish



ENGINEERING YOUR SUCCESS.

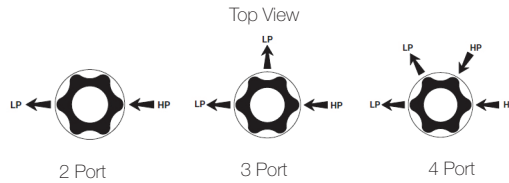
# FR1000 Series

## Flow Curves

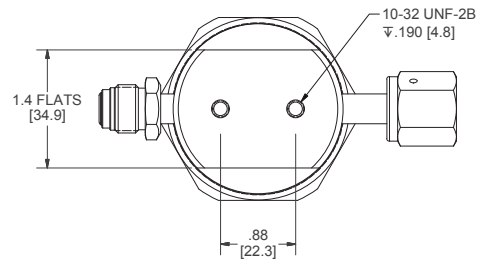
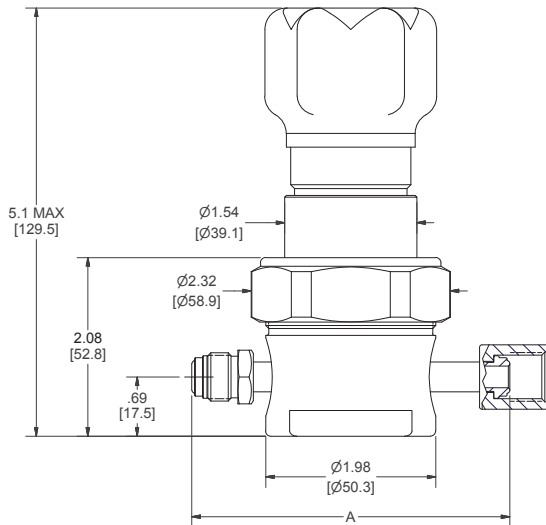


Additional flow curves available upon request

## Porting Configurations



## Dimensional Drawings



### DIMENSION TABLE

Connection Type	End to End Dimension (A)
1/4" Face Seal	3.70 ± .02 in. (94 ± .5 mm)
1/4" Tube Stub	2.96 ± .02 in. (75 ± .5 mm)
3/8" Face Seal	4.70 ± .02 in. (119.4 ± .5 mm)
3/8" Tube Stub	2.96 ± .02 in. (75 ± .5 mm)

All dimensions in inches. Metric dimensions are for reference only.

Safety Guide and Installation and Operating Instructions available at  
[www.parker.com/veriflo](http://www.parker.com/veriflo)

# FR1000 Series

## Ordering Information

Build an FR1000 Series regulator by replacing the numbered symbols with an option from the corresponding tables below.

Contact factory for most up to date lead time information.

Blue = Configurations that have selections in blue may have an extended lead time and a minimum order quantity.

Sample: **FR1003 S 9 K 4P X X FS FF TH**  
Finished: **FR1003S9K4PXXFSFFTH**

### 1 Basic Series Configuration

FR1001 = 1 - 10 psig\*  
FR1003 = 1 - 30 psig  
FR1006 = 2 - 60 psig  
FR1010 = 2 - 100 psig  
FR1015 = 5 - 150 psig

\* 300 psig maximum inlet pressure.

### 2 Body Material

S = 316L SS  
D = 316L SS Double Melt\*

\* Captured bonnet with 1/8" FNPT vent port standard with 316L SS double melt body

### 3 Flow Capacity

9 = .09 Cv  
15 = .15 Cv

### 4 Seat Material

K = PCTFE  
V = Polyimide

### 5 Porting\*

2P = 2 Ports  
3P = 3 Ports  
4P = 4 Ports

\* Refer to the Regulator Porting Guide, 25000156, for additional porting configurations.

### 6 Outlet Gauge\*

X = No Gauge  
03 = 0 - 30 psig  
0L = 0 - 60 psig  
01 = 0 - 100 psig  
2 = 0 - 200 psig  
4 = 0 - 400 psig

\* Only include with "3P" or "4P" body configurations.

### 7 Inlet Gauge\*

X = No Gauge  
01 = 0 - 100 psig  
4 = 0 - 400 psig  
10 = 0 - 1000 psig  
20 = 0 - 2000 psig  
30 = 0 - 3000 psig  
40 = 0 - 4000 psig

\* Only include with "4P" body configuration.

### 8 Port Style

FS = 1/4" Face Seal  
TS = 1/4" Tube Stub  
FS6 = 3/8" Face Seal\*  
TS6 = 3/8" Tube Stub

\* Provided with 1/2" face seal nuts.

\*\* Extended lead times for configurations with non-matching end connections.

### 9 Port Configuration

M = Male  
F = Female  
I = Internal Face Seal  
(gauge ports only)

\* 1/4" FS-M Gauge Ports are Standard  
Any other Gauge Port configuration may have an extended lead time.

### 10 Optional Features

Blank = none  
TH = Ni-Cr-Mo alloy  
(Hastelloy® or equivalent) poppet  
THR = Ni-Cr-Mo alloy  
(Hastelloy® or equivalent) poppet and seat retainer

# FR1000 Series

## Specifications

Wetted Materials of Construction	
Body	316L SS (std), 316L SS Double Melt
Diaphragm	Ni-Cr-Mo alloy (Hastelloy® or equivalent)
Poppet	316L SS (std), Ni-Cr-Mo alloy (Hastelloy® or equivalent)
Poppet Spring	316 SS
Seat Retainer	316L SS (std), Ni-Cr-Mo alloy (Hastelloy® or equivalent)
Filter Screen	Ni-Cr-Mo alloy (Hastelloy® or equivalent), 74 µm
Seat	PCTFE (std), Polyimide
Finish	Passivated & Electropolished

For additional information on materials of construction, functional performance and operating conditions refer to Veriflo report RI.EN.RP017.

All specifications subject to change without notice.

Hastelloy® is a registered trademark of Haynes International, Inc

Functional Performance	
<b>Flow Capacity (Cv)</b>	.09 (std) .15
Internal Leakage (seat)	$\leq 4 \times 10^{-8}$ scc/sec He
External Leakage (Inboard)	$\leq 2 \times 10^{-10}$ scc/sec He
<b>Supply Pressure Effect</b>	
.09 Cv	0.6 psig/100 psig
.15 Cv	1.5 psig/100 psig
<b>Internal Volume</b>	0.61 in <sup>3</sup> (10 cm <sup>3</sup> ) <sup>1</sup>
<b>Proof Pressure</b>	5250 psig
<b>Burst Pressure</b>	10,500 psig
Operating Conditions	
Maximum Inlet Pressure	300 psig <sup>3</sup> or 3500 psig <sup>2</sup>
Temperature	-40°F to 150°F <sup>2</sup> (-40°C to 65°C)

1. Internal volume includes "FS" end connections.
2. Pressure rating based on nominal temperature conditions. Refer to Veriflo Report RI.EN.RP017 for specific information regarding regulator performance at temperature.
3. Applies to the "FR1001" model configuration, 10 psig outlet pressure range.

#### OFFER OF SALE:

The items described in this document are hereby offered for sale by Parker-Hannifin Corporation, its subsidiaries or its authorized distributors. This offer and its acceptance are governed by the provisions stated in the detailed "Offer of Sale" elsewhere in this document or available at [www.parker.com/veriflo](http://www.parker.com/veriflo)

#### WARNING USER RESPONSIBILITY

FAILURE OR IMPROPER SELECTION OR IMPROPER USE OF THE PRODUCTS DESCRIBED HEREIN OR RELATED ITEMS CAN CAUSE DEATH, PERSONAL INJURY AND PROPERTY DAMAGE. THIS DOCUMENT IS FOR REFERENCE ONLY. PLEASE CONSULT FACTORY FOR LATEST PRODUCT DRAWINGS AND SPECIFICATIONS

This document and other information from Parker-Hannifin Corporation, its subsidiaries and authorized distributors provide product or system options for further investigation by users having technical expertise.

The user, through its own analysis and testing, is solely responsible for making the final selection of the system and components and assuring that all performance, endurance, maintenance, safety and warning requirements of the application are met. The user must analyze all aspects of the application, follow applicable industry standards, and follow the information concerning the product in the current product catalog and in any other materials provided from Parker or its subsidiaries or authorized distributors.

To the extent that Parker or its subsidiaries or authorized distributors provide component or system options based upon data or specifications provided by the user, the user is responsible for determining that such data and specifications are suitable and sufficient for all applications and reasonably foreseeable uses of the components or systems.

The products described herein, including without limitation, product features, specifications, designs, availability and pricing are subject to change by Parker Hannifin Corp and its subsidiaries at any time without notice.

Proposition 65 Warning: This product contains chemicals known to the state of California to cause cancer or birth defects or other reproductive harm.