

## Series UPG



**AVENTICS™**

**AVENTICS Series UPG Grippers**

Distributed by Valin Corporation | [www.valin.com](http://www.valin.com) | (800) 774-5630 | [customerservice@valin.com](mailto:customerservice@valin.com)



## Series UPG

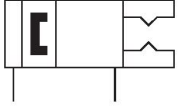
The AVENTICS Series UPG is a 2-finger parallel gripper characterized by its high gripping forces, precision, and exact movement of the clamping jaws. They can be selected based on the application requirements and flexibly equipped with object-specific gripper fingers.

- 2-finger, parallel gripper
- with magnetic piston



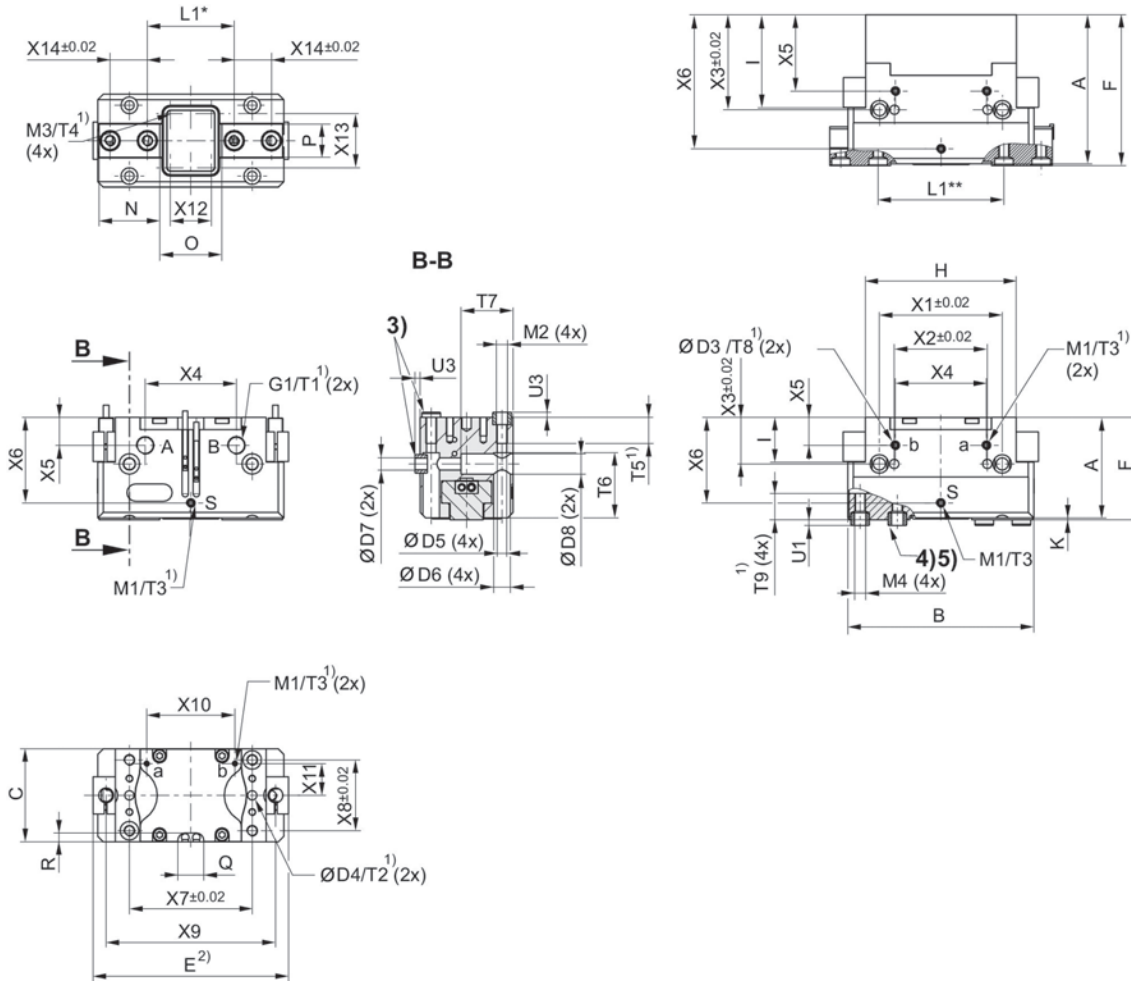
## Series UPG

with magnetic piston  
2-finger, parallel gripper



Part No.
R412026301
R412026302
R412026303
R412026304
R412026305
R412026306
R412026307

Dimensions



\* Gripper closed

\*\* Gripper open

1) min.

2) max.

3) Sleeve ØD2 h6 ØD2 in housing for bottom gripper connection (2x)

4) Sleeve ØD1 h6 ØD1 H7 in base jaw for bottom finger connection (4x)

5) Sleeve ØD1 h6 ØD1in base jaw for bottom finger connection (4x)

Part No.	A	B	C	D1 H7	D2 H7	D3 H7	D4 H7	D5	D6	D7
R412026301	24	45	24	4	5	-	-	2.5	4.8	2.6
R412026302	30	57	30	5	6	-	-	3,3	5,8	3,3
R412026303	38	64	36	6	8	4	4	4,2	7,25	4,2
R412026304	48	80	42	8	8	-	4	4,2	7,25	5,1
R412026305	54	100	50	10	10	5	5	5,1	9	6,6
R412026306	62	125	60	10	12	6	6	6,8	10,5	9
R412026307	76	160	72	14	12	6	6	6,8	10,5	9

Part No.	D8	E	F	G1	H	I	K	L1*	L1**	M1
R412026301	4.8	-	24.7	M3	38	9	0.7	26.5	21.5	M2
R412026302	5.8	-	31	M5	42	13	1	33,5	25,5	M5
R412026303	7,25	70	39	M5	52	15	1	40,5	28,5	M5

Part No.	D8	E	F	G1	H	I	K	L1*	L1**	M1
R412026304	9	87	49	M5	63	20	1	53	37	M5
R412026305	11	105	55	G1/8	81	24	1	67	47	M5
R412026306	14	130	63	G1/8	100	26	1	87	61	M5
R412026307	14	162,5	77	G1/8	125	32	1	109	77	M5

Part No.	M2	M3	M4	N	O	P	Q	R	T1	T2
R412026301	M3	M2	M2.5	14.8	14.9	6.8	9.5	3.5	4	-
R412026302	M4	M2,5	M3	18,6	19	10	9.5	3,8	4.5	-
R412026303	M5	M2,5	M4	21	20,3	12	11	4,3	6	6
R412026304	M5	M2,5	M5	26	26,8	14,4	12	4,2	6	8
R412026305	M6	M3	M6	32,7	33,3	17,8	14	4,8	7	6
R412026306	M8	M3	M6	39	45,5	19,7	14	4,3	7	10
R412026307	M8	M3	M10	50	57,9	26	16	5,3	7	12

Part No.	T3	T4	T5	T6	T7	T8	T9	U1	U3	X1
R412026301	4	3.5	8	16	14	-	6.1	2.2	2	32
R412026302	6	3.5	11	19	18	-	8,5	2.2	2,5	35
R412026303	6	3.5	12	24,1	25	5	10	2.6	2,5	42
R412026304	4	3.5	15	33	24	-	10	2.6	2,5	52
R412026305	6	5,5	14	35	28	5	14,2	3.1	3	66
R412026306	6	5,5	20	39,5	38	6	13	3.1	3	82
R412026307	6	5,5	20	55,5	41	7	17	4	3	100

Part No.	X2	X3	X4	X5	X6	X7	X8	X9	X10	X11
R412026301	-	11	22	8	18.6	32	18	-	20	6.8
R412026302	-	14,5	24	10	25,5	35	22	-	22,6	8,7
R412026303	20	17,5	31	10	33	42	27	58,6	27	10
R412026304	-	20	40	12	39,5	52	32	73	37	12
R412026305	50	25	49	15	46	66	38	91	47,4	17
R412026306	60	30	63	15	53	82	45	116	61	20
R412026307	76	28	74	18	61	100	56	148,5	75	24,5

Part No.	X12	X13	X14
R412026301	8	14	8
R412026302	11	18	12
R412026303	13	20,5	13
R412026304	17	14,4	16
R412026305	22	17,8	20
R412026306	35,5	19,7	24
R412026307	43	31	32

\* Gripper open  
\*\* Gripper closed

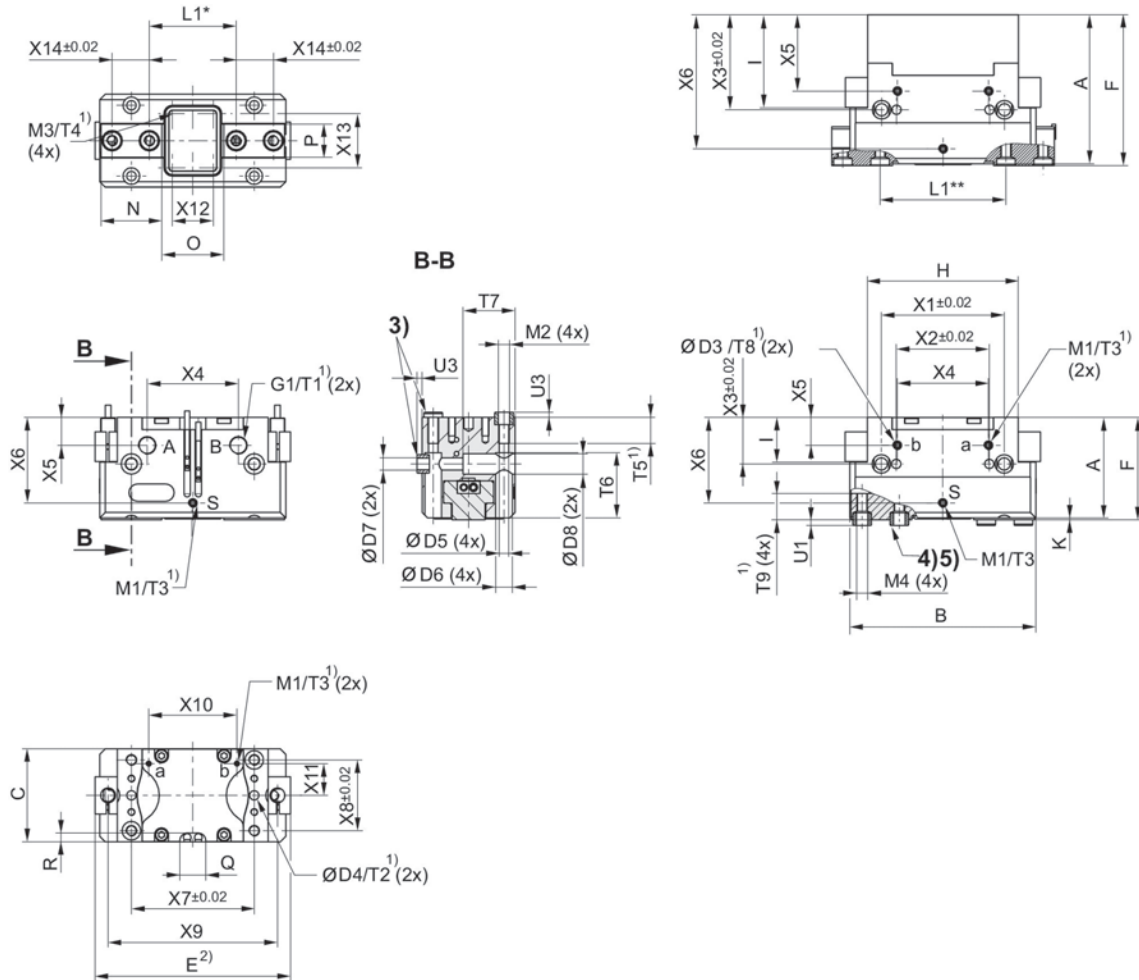
## Series UPG

with magnetic piston  
double-acting, closed without pressure  
2-finger, parallel gripper



Part No.
R412026308
R412026309
R412026310
R412026311
R412026312
R412026313
R412026314

Dimensions



\* Gripper closed

\*\* Gripper open

1) min.

2) max.

3) Sleeve ØD2 h6 ØD2 in housing for bottom gripper connection (2x)

4) Sleeve ØD1 h6 ØD1 H7 in base jaw for bottom finger connection (4x)

5) Sleeve ØD1 h6 ØD1in base jaw for bottom finger connection (4x)

Part No.	A	B	C	D1 H7	D2 H7	D3 H7	D4 H7	D5	D6	D7
R412026308	33,05	45	24	4	5	-	-	2.5	4.8	2.6
R412026309	46	57	30	5	6	-	-	3,3	5,8	3,3
R412026310	56	64	36	6	8	4	4	4,2	7,25	4,2
R412026311	66	80	42	8	8	-	4	4,2	7,25	5,1
R412026312	80	100	50	10	10	5	5	5,1	9	6,6
R412026313	92	125	60	10	12	6	6	6,8	10,5	9
R412026314	116	160	72	14	12	6	6	6,8	10,5	9

Part No.	D8	E	F	G1	H	I	K	L1*	L1**	M1
R412026308	4.8	-	33.75	M3	38	18.1	0.7	26.5	21.5	M2
R412026309	5.8	-	47	M5	42	29	1	33,5	25,5	M5
R412026310	7,25	70	57	M5	52	33	1	40,5	28,5	M5

Part No.	D8	E	F	G1	H	I	K	L1*	L1**	M1
R412026311	9	87	67	M5	63	38	1	53	37	M5
R412026312	11	105	81	G1/8	81	50	1	67	47	M5
R412026313	14	130	93	G1/8	100	56	1	87	61	M5
R412026314	14	162,5	117	G1/8	125	72	1	109	77	M5

Part No.	M2	M3	M4	N	O	P	Q	R	T1	T2
R412026308	M3	M2	M2.6	14.8	14.9	6.8	-	-	4	-
R412026309	M4	M2,5	M3	18,6	19	10	-	-	4.5	-
R412026310	M5	M2,5	M4	21	20,3	12	-	-	6	6
R412026311	M5	M2,5	M5	26	26,8	14,4	-	-	6	8
R412026312	M6	M3	M6	32,7	33,3	17,8	-	-	7	6
R412026313	M8	M3	M6	39	45,5	19,7	-	-	7	10
R412026314	M8	M3	M10	50	57,9	26	11	5,1	7	12

Part No.	T3	T4	T5	T6	T7	T8	T9	U1	U3	X1
R412026308	4	3.5	8	16	14	-	7.1	2.2	2	32
R412026309	6	3.5	11	19	18	-	8,5	2.2	2,5	35
R412026310	6	3.5	12	24,1	25	5	10	2.6	2,5	42
R412026311	4	3.5	15	33	24	-	10	2.6	2,5	52
R412026312	6	5,5	14	35	28	5	14,2	3.1	3	66
R412026313	6	5,5	20	39,5	38	6	13	3.1	3	82
R412026314	6	5,5	20	55,5	41	7	17	4	3	100

Part No.	X2	X3	X4	X5	X6	X7	X8	X9	X10	X11
R412026308	-	20.1	22	17.1	27.7	32	18	-	20	6.8
R412026309	-	30,5	24	26	41,5	35	22	-	22,6	8,7
R412026310	20	35,5	31	28	51	42	27	58,6	27	10
R412026311	-	38	40	30	57,5	52	32	73	37	12
R412026312	50	51	49	41	72	66	38	91	47,4	17
R412026313	60	60	63	45	83	82	45	116	61	20
R412026314	76	68	74	58	101	100	56	148,5	75	24,5

Part No.	X12	X13	X14
R412026308	8	14	8
R412026309	11	18	12
R412026310	13	20,5	13
R412026311	17	14,4	16
R412026312	22	17,8	20
R412026313	35,5	19,7	24
R412026314	43	31	32

\* Gripper open  
\*\* Gripper closed

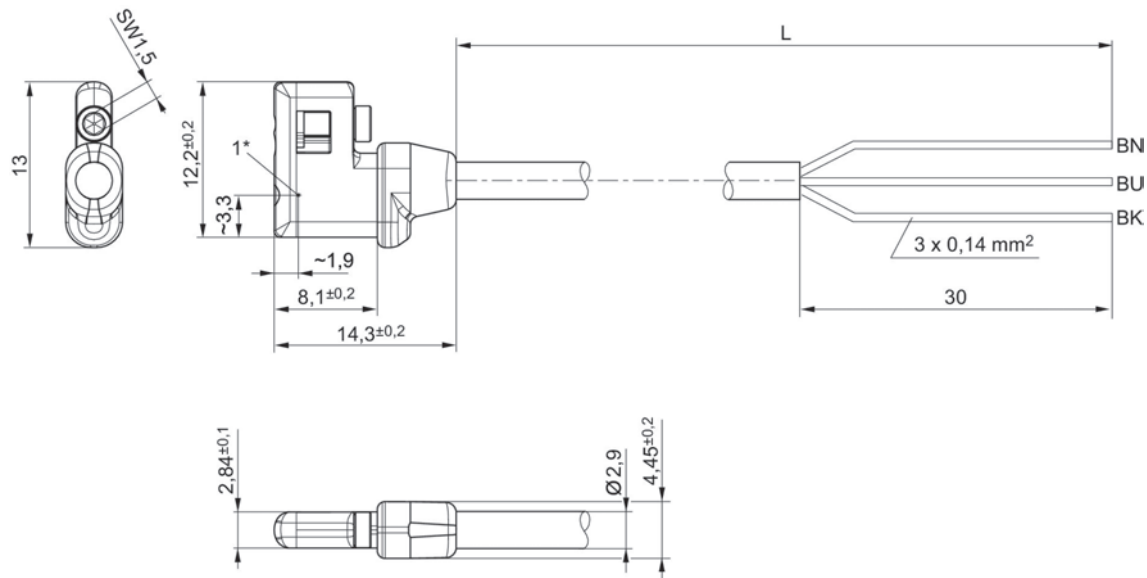


Sensor, Series SC4

UPG  
RTC  
MSN  
GPC  
MSC  
PRA  
SSI  
TWC  
without wire end ferrule, tin-plated  
CE declaration of conformity  
cULus  
UL (Underwriters Laboratories)



Part No.
R412026162
R412026163
R412026166



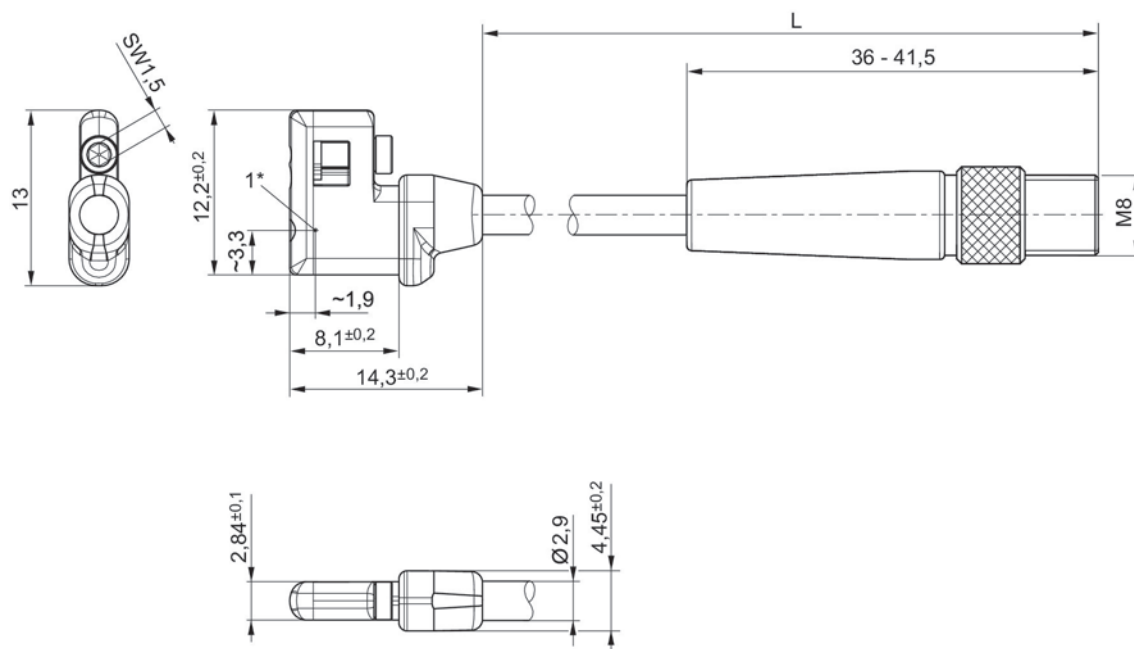
\* Switching point  
L = cable length

Sensor, Series SC4

UPG  
RTC  
MSN  
GPC  
MSC  
PRA  
SSI  
TWC  
Plug  
CE declaration of conformity  
cULus  
UL (Underwriters Laboratories)



Part No.
R412026164
R412026165
R412026167



\* Switching point  
L = cable length

## Efficient pneumatic solutions, our program: cylinders and drives, valves and valve systems, air supply management



Visit us: [Emerson.com/Aventics](https://www.emerson.com/aventics)

Your local contact: [Emerson.com/contactus](https://www.emerson.com/contactus)



[Emerson.com](https://www.emerson.com)



[Facebook.com/EmersonAutomationSolutions](https://www.facebook.com/EmersonAutomationSolutions)



[LinkedIn.com/company/Emerson-Automation-Solutions](https://www.linkedin.com/company/Emerson-Automation-Solutions)



[Twitter.com/EMR\\_Automation](https://twitter.com/EMR_Automation)

An example configuration is depicted on the title page. The delivered product may thus vary from that in the illustration. Subject to change. This Document, as well as the data, specifications and other information set forth in it, are the exclusive property of AVENTICS GmbH. It may not be reproduced or given to third parties without its consent. Only use the AVENTICS products shown in industrial applications. Read the product documentation completely and carefully before using the product. Observe the applicable regulations and laws of the respective country. When integrating the product into applications, note the system manufacturer's specifications for safe use of the product. The data specified only serve to describe the product. No statements concerning a certain condition or suitability for a certain application can be derived from our information. The information given does not release the user from the obligation of own judgment and verification. It must be remembered that the products are subject to a natural process of wear and aging.

The Emerson logo is a trademark and service mark of Emerson Electric Co. Brand logotype are registered trademarks of one of the Emerson family of companies. All other marks are the property of their respective owners. © 2019 Emerson Electric Co. All rights reserved.



## CONSIDER IT SOLVED™

Distributed by Valin Corporation | [www.valin.com](http://www.valin.com) | (800) 774-5630 | [customerservice@valin.com](mailto:customerservice@valin.com)