

Holding unit, HU1



AVENTICS™ Holding unit, HU1



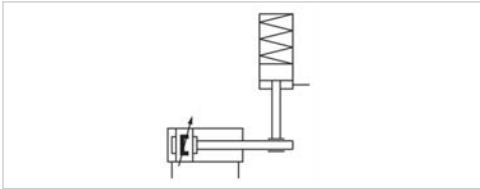
Holding unit, Series HU1

- Ø 20-25 mm

- hold: spring force, release: compressed air



Function	Hold with clamping jaws
Release pressure	4 ... 8 bar
Ambient temperature min./max.	-10 ... 60 °C
Medium temperature min./max.	-10 ... 60 °C
Medium	Compressed air
Max. particle size	5 µm
Oil content of compressed air	0 ... 5 mg/m ³
Weight	0.11 kg



Technical data

Part No.	Piston Ø	suitable piston rod Ø	Piston rod extension	Compressed air connection	Static holding force
0821401163	20 mm	8 mm	54 mm	M5	300 N
0821401164	25 mm	10 mm	51 mm	M5	400 N

Holding force at 0 bar

Technical information

Warning: The holding unit may not be used for the following applications:

- 1) for dynamic holding
- 2) in or as safety equipment

Holding unit may only be unlocked when turned off.

Make sure that the load direction does not change during a holding interval. A change in the direction of force, as well as external forces such as impacts, strong vibrations, or torsional forces, will briefly release the piston rod and may destroy the HU1 holding unit. When clamped, there must be no residual pressure on the holding unit (0 bar).

Note:

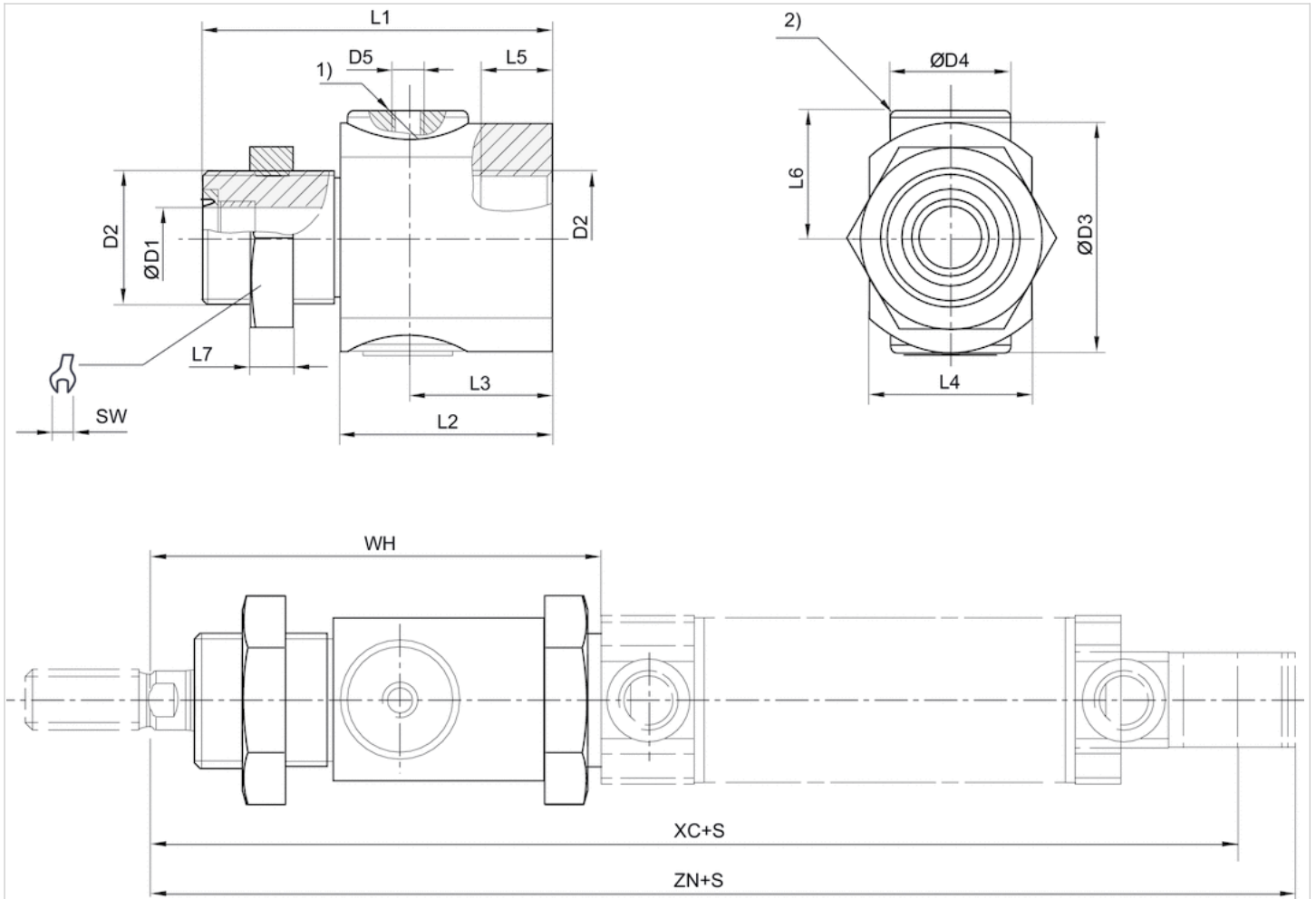
The minimum control pressure is \geq the working pressure of the cylinder!

Technical information

Material	
Housing	Aluminum, black anodized

Dimensions

Dimensions



- 1) air connection
- 2) Holding cartridge
- S = stroke

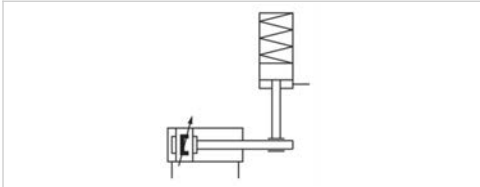
Dimensions

Piston Ø	ØD1	D2	ØD3	ØD4	D5	L1	L2	L3	L4	L5	L6	L7	SW	WH	XC	ZN
20 mm	8	M22x1,5	38	20	M5	58	35	24	27	12	21	7	30	78	149	163.5
25 mm	10	M22x1,5	38	20	M5	58	35	24	27	12	21	7	30	79	155	170.5

Holding unit, Series HU1

- Ø 32-100 mm

- hold: spring force, release: compressed air



Function	Hold with clamping jaws
Release pressure	4 ... 8 bar
Ambient temperature min./max.	-10 ... 60 °C
Medium temperature min./max.	-10 ... 60 °C
Medium	Compressed air
Max. particle size	5 µm
Oil content of compressed air	0 ... 5 mg/m ³
Weight	See table below

Technical data

Part No.	Piston Ø	suitable piston rod Ø	Piston rod extension	Compressed air connection	Static holding force	Weight
0821401165	32 mm	12 mm	42 mm	M5	650 N	0.2 kg
0821401166	40 mm	16 mm	45 mm	G 1/8	1100 N	0.27 kg
0821401167	50 mm	20 mm	57 mm	G 1/8	1600 N	0.57 kg
0821401168	63 mm	20 mm	57 mm	G 1/8	2500 N	0.8 kg
0821401169	80 mm	25 mm	77 mm	G 1/8	4000 N	1.85 kg
0821401170	100 mm	25 mm	77 mm	G 1/8	6300 N	2.9 kg

Holding force at 0 bar

Technical information

Warning: The holding unit may not be used for the following applications:

- 1) for dynamic holding
- 2) in or as safety equipment

Holding unit may only be unlocked when turned off.

Make sure that the load direction does not change during a holding interval. A change in the direction of force, as well as external forces such as impacts, strong vibrations, or torsional forces, will briefly release the piston rod and may destroy the HU1 holding unit. When clamped, there must be no residual pressure on the holding unit (0 bar).

Note:

The minimum control pressure is \geq the working pressure of the cylinder!

Technical information

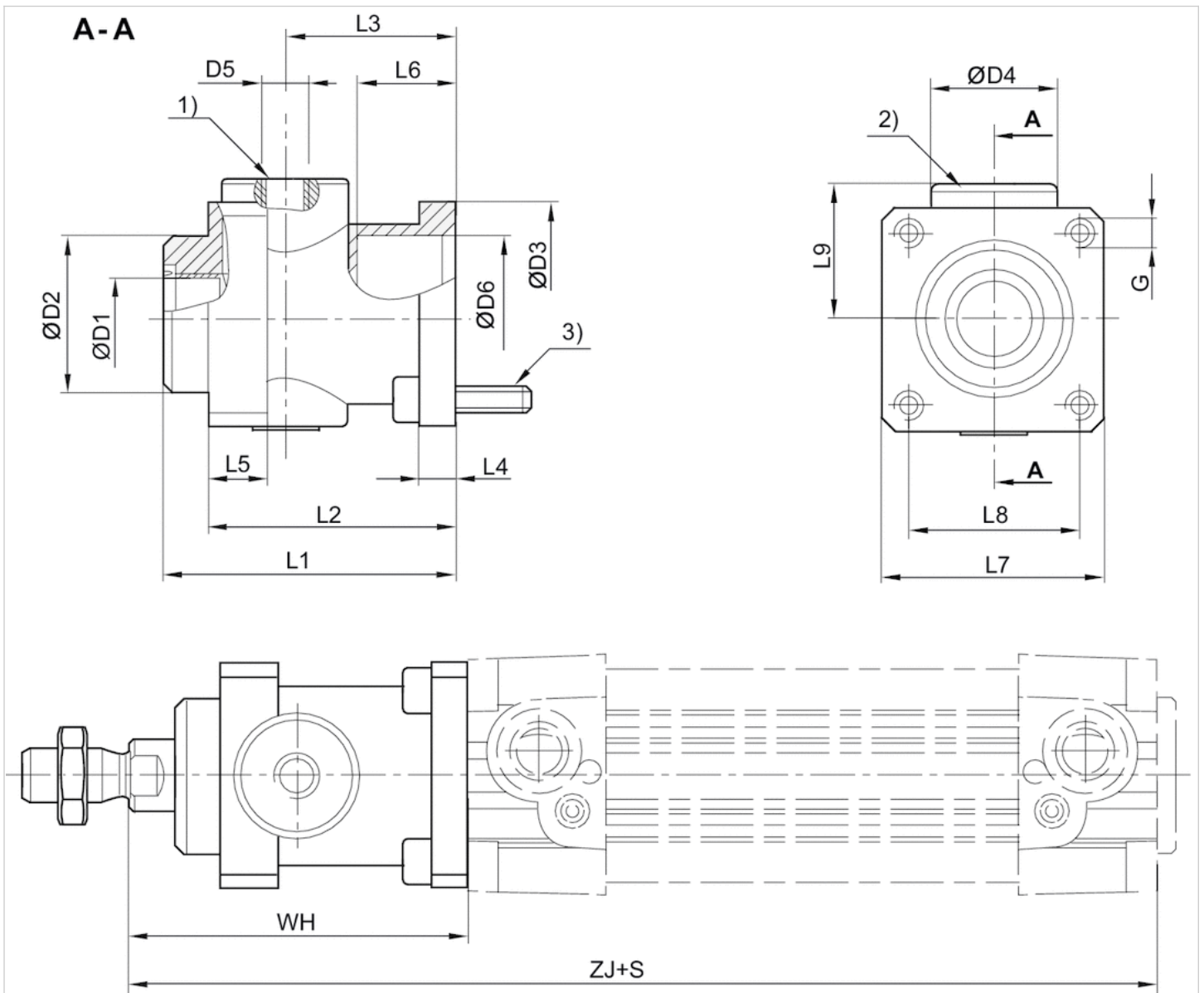
Material

Housing

Aluminum, black anodized

Dimensions

Dimensions



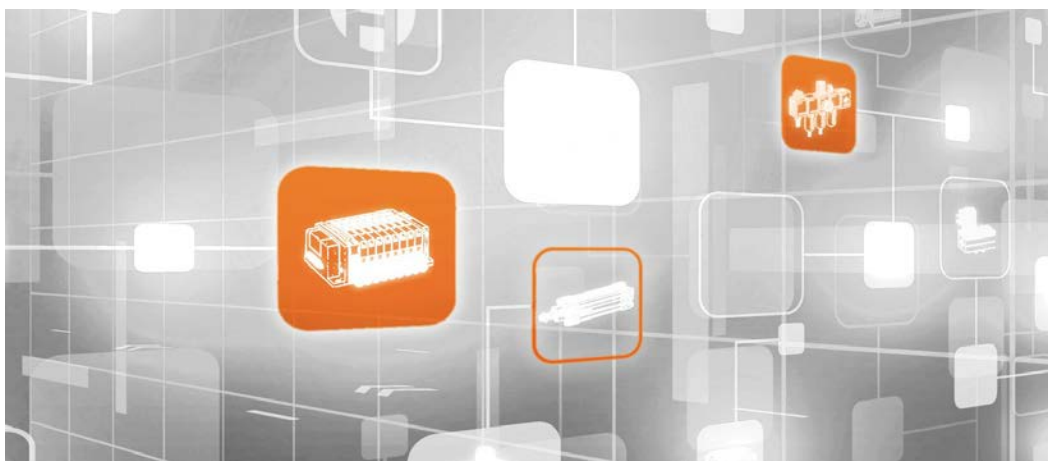
- 1) air connection
 - 2) Holding cartridge
 - 3) mounting screws 4x
- S = stroke

Dimensions

Part No.	Piston Ø	Ø D1	Ø D2	Ø D3	Ø D4	D5	L1	L2	L3	L4	L5	L6	L7	L8	L9	G
0821401165	32 mm	12	30	35	25	M5	58	48	34	8	13	20.5	45	32.5	25.5	M6
0821401166	40 mm	16	35	40	28	G 1/8	65	55	38	8	13	22.5	50	38	30	M6
0821401167	50 mm	20	40	50	35	G 1/8	82	70	48	15	16	29.5	60	46.5	36	M8
0821401168	63 mm	20	45	60	38	G 1/8	82	70	49.5	15	16	29.5	70	56.5	40	M8
0821401169	80 mm	25	45	80	48	G 1/8	110	90	61	18	20	35	90	72	50	M10
0821401170	100 mm	25	55	100	58	G 1/8	115	100	69	18	20	-	105	89	58	M10

WH	ZJ
68	162
75	180
94	200
94	215
123	251
128	266

Efficient pneumatic solutions, our program: cylinders and drives, valves and valve systems, air supply management



Visit us: [Emerson.com/Aventics](https://www.emerson.com/Aventics)

Your local contact: [Emerson.com/contactus](https://www.emerson.com/contactus)



Emerson.com



[Facebook.com/EmersonAutomationSolutions](https://www.facebook.com/EmersonAutomationSolutions)



[LinkedIn.com/company/Emerson-Automation-Solutions](https://www.linkedin.com/company/Emerson-Automation-Solutions)



[Twitter.com/EMR_Automation](https://twitter.com/EMR_Automation)

An example configuration is depicted on the title page. The delivered product may thus vary from that in the illustration. Subject to change. This Document, as well as the data, specifications and other information set forth in it, are the exclusive property of AVENTICS GmbH. It may not be reproduced or given to third parties without its consent. Only use the AVENTICS products shown in industrial applications. Read the product documentation completely and carefully before using the product. Observe the applicable regulations and laws of the respective country. When integrating the product into applications, note the system manufacturer's specifications for safe use of the product. The data specified only serve to describe the product. No statements concerning a certain condition or suitability for a certain application can be derived from our information. The information given does not release the user from the obligation of own judgment and verification. It must be remembered that the products are subject to a natural process of wear and aging.

The Emerson logo is a trademark and service mark of Emerson Electric Co. Brand logotype are registered trademarks of one of the Emerson family of companies. All other marks are the property of their respective owners. © 2017 Emerson Electric Co. All rights reserved.
2019-03



CONSIDER IT SOLVED™