

## Rod clevises



AVENTICS™ Rod clevises



# Rod clevis AP2, Series CM2

- with circlip, to mount on cylinder CCL-IS/IC, CCI, SSI, CSL-RD, ICM, ICS-D2, 167



Weight

See table below

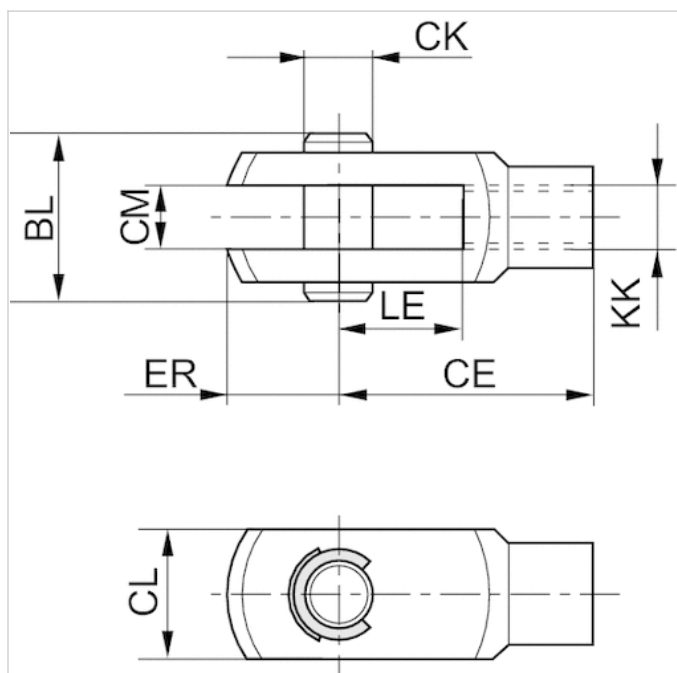
## Technical data

Part No.	Suitable piston rod thread	for	Weight
3330510000	M4	SSI ICM	0.01 kg
3330516000	M6	CSL-RD SSI ICM	0.02 kg
3330520000	M8	CCL-IC CSL-RD CCI ICM	0.05 kg
3590502000	M10x1,25	CCL-IS CCL-IC CCI CSL-RD SSI ICM ICS-D2 167	0.1 kg
3590504000	M12x1,25	CCL-IS CCL-IC CCI SSI 167 ICS-D2	0.16 kg
3590505000	M16x1,5	CCL-IS ICS-D2 167	0.4 kg
3590508000	M20x1,5	CCL-IS ICS-D2 167	0.7 kg

## Technical information

Material
Stainless steel

## Dimensions



## Dimensions

Part No.	KK	CE	CK e8	CL	CM B12	ER	BL	LE
3330510000	M4	16	4	10	5	6	15	8
3330516000	M6	24	6	12	6	7	17	12
3330520000	M8	32	8	16	8	10	22	16
3590502000	M10x1,25	40	10	20	10	12	26	20
3590504000	M12x1,25	48	12	24	12	14	31	24
3590505000	M16x1,5	64	16	32	16	19	39	32
3590508000	M20x1,5	80	20	40	20	20	49	40

# Rod clevis AP2, Series CM2

- with split pin, to mount on cylinder SSI, ICS-D2



Weight

See table below

## Technical data

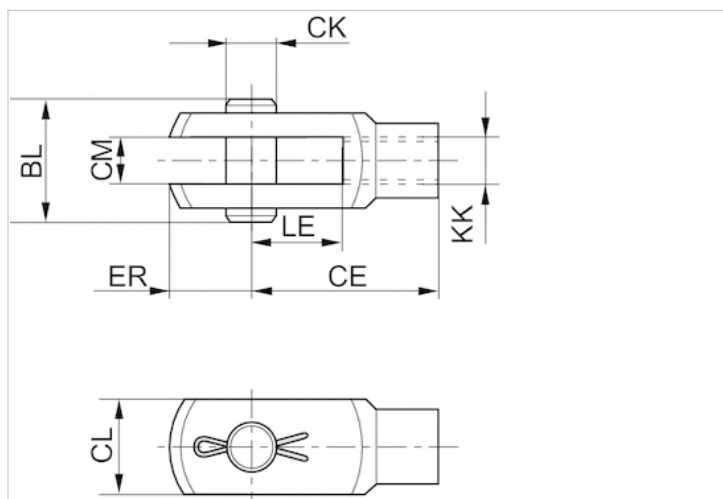
Part No.	Suitable piston rod thread	for	Weight
2990600503	M10x1,25	SSI ICS-D2	0.11 kg
2990600504	M12x1,25	ICS-D2	0.19 kg
2990600505	M16x1,5	SSI ICS-D2	0.41 kg
2990600508	M20x1,5	SSI ICS-D2	1.16 kg

## Technical information

Material

Stainless steel, acid-proof

## Dimensions



## Dimensions

Part No.	KK	CE	CK e8	CL	CM B12	ER	BL	LE
2990600503	M10x1,25	40	10	20	10	12	26	20
2990600504	M12x1,25	48	12	24	12	14	31	24
2990600505	M16x1,5	64	16	32	16	19	39	32
2990600508	M20x1,5	80	20	40	20	20	49	40

# Rod clevis AP2, Series CM2

- to mount on cylinder PRA, TRB, CCI, MNI, ICM, KPZ, KHZ, 167, CVI, RPC, RDC, ITS



Weight

See table below

## Technical data

Part No.	Suitable piston rod thread	for	Weight
1822122028	M4	MNI ICM	0.01 kg
1822122008	M5	KHZ	0.01 kg
1822122009	M6	CCI MNI ICM KHZ	0.02 kg
1822122010	M8	CCI MNI ICM KHZ	0.05 kg
8958000122	M10	RPC KHZ	0.1 kg
8958000132	M12	RPC 102	0.16 kg
1822122024	M10x1,25	PRA TRB CCI MNI ICM KPZ 167 CVI RPC RDC	0.1 kg
1822122025	M12x1,25	PRA TRB CCI KPZ 167 CVI RPC 102	0.16 kg
1822122005	M16x1,5	PRA TRB CCI KPZ 167 CVI RPC RDC 102	0.4 kg
1822122004	M20x1,5	PRA TRB KPZ 167 CVI 102	0.7 kg
1827001493	M27x2	PRA TRB CCL-IS 167 CVI	2 kg
1827001471	M36x2	ITS	3.5 kg
1827001472	M42x2	ITS	6.6 kg
8958019332	M48x2	ITS	9.7 kg

Part No.	Fig.
1822122028	Fig. 1
1822122008	Fig. 1
1822122009	Fig. 1
1822122010	Fig. 1
8958000122	Fig. 1
8958000132	Fig. 1
1822122024	Fig. 1
1822122025	Fig. 1
1822122005	Fig. 1
1822122004	Fig. 1
1827001493	Fig. 2
1827001471	Fig. 2
1827001472	Fig. 2

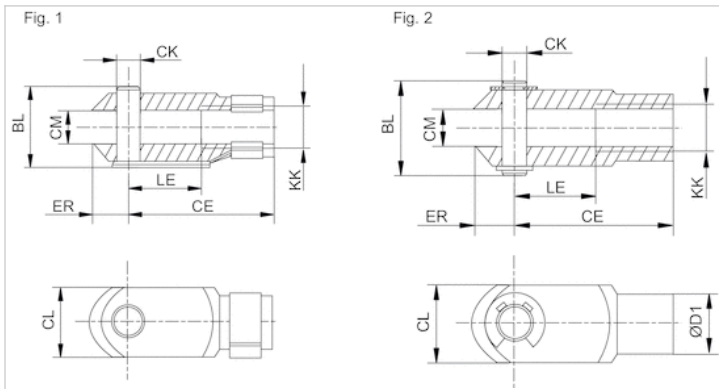
Part No.	Fig.
8958019332	Fig. 1

## Technical information

### Material

Steel  
galvanized

## Dimensions



## Dimensions

Part No.	KK	BL	CE	ØCK e11	CL	CM	ØD1	ER	LE	Fig.
1822122028	M4	11	16	4	8	4	8	5	8	Fig. 1
1822122008	M5	13.5	20	5	10	5	9	6	10	Fig. 1
1822122009	M6	16	24	6	12	6	10	7	12	Fig. 1
1822122010	M8	21,5	32	8	16	8	14	10	16	Fig. 1
8958000122	M10	26	40	10	20	10	18	12	20	Fig. 1
8958000132	M12	31	48	12	24	12	20	14	24	Fig. 1
1822122024	M10x1,25	26	40	10	20	10	18	12	20	Fig. 1
1822122025	M12x1,25	31	48	12	24	12	20	14	24	Fig. 1
1822122005	M16x1,5	39	64	16	32	16	26	19	32	Fig. 1
1822122004	M20x1,5	50	80	20	40	20	34	20	40	Fig. 1
1827001493	M27x2	68	110	30	55	30	48	38	54	Fig. 2
1827001471	M36x2	80	144	35	70	35	60	57	72	Fig. 2
1827001472	M42x2	98	168	40	85	40	70	64	84	Fig. 2
8958019332	M48x2	122	192	50	96	50	82	73	96	Fig. 1

# Rod clevis PM6, Series CM2

- for ball eye rod end AP6



## Technical data

Part No.	for	Swivel bearing Ø
1822122032	AP6	14 mm
1822122033	AP6	16 mm
1822122034	AP6	21 mm
1822122035	AP6	25 mm
1822122036	AP6	30 mm

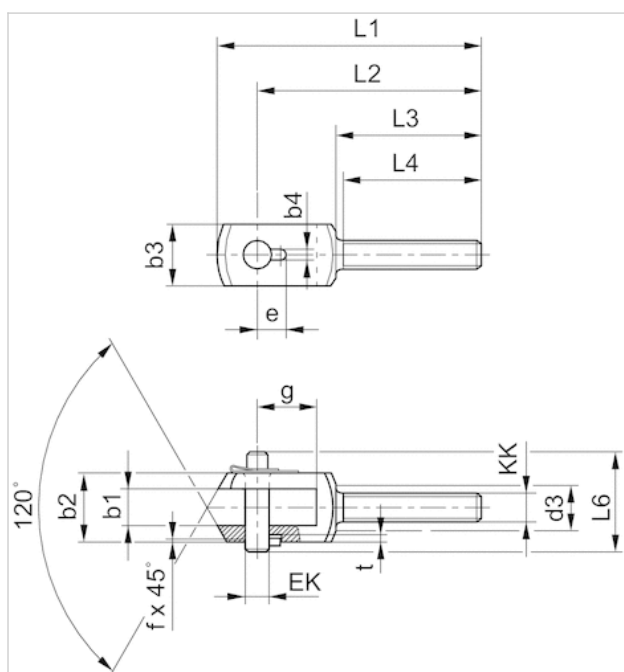
Scope of delivery incl. bolt

## Technical information

Material	
	Steel
	galvanized



## Dimensions



## Dimensions

Part No.	b1 B12	b2 d12	b3	b4 +0,2	d3	e +0,3	EK	f	g	L1	L2	L3	L4 +1	L6	t +0,2
1822122032	14	28	20	3.3	17	11.5	10	0.7	20	90	78	53	50	35	3
1822122033	16	30	25	4.3	19	12	12	1	26	108	92	58	55	39	3
1822122034	21	40	35	4.3	24	14	16	1	31	129	108	65	62	50	3
1822122035	25	50	40	4.3	30	16	20	1	43	156	131	73	69	60	3
1822122036	37	67	60	6.3	38	24	30	1.5	54	200	168	98	92	77	5

# Efficient pneumatic solutions, our program: cylinders and drives, valves and valve systems, air supply management



Visit us: [Emerson.com/Aventics](https://www.emerson.com/Aventics)

Your local contact: [Emerson.com/contactus](https://www.emerson.com/contactus)



Emerson.com



[Facebook.com/EmersonAutomationSolutions](https://www.facebook.com/EmersonAutomationSolutions)



[LinkedIn.com/company/Emerson-Automation-Solutions](https://www.linkedin.com/company/Emerson-Automation-Solutions)



[Twitter.com/EMR\\_Automation](https://twitter.com/EMR_Automation)

An example configuration is depicted on the title page. The delivered product may thus vary from that in the illustration. Subject to change. This Document, as well as the data, specifications and other information set forth in it, are the exclusive property of AVENTICS GmbH. It may not be reproduced or given to third parties without its consent. Only use the AVENTICS products shown in industrial applications. Read the product documentation completely and carefully before using the product. Observe the applicable regulations and laws of the respective country. When integrating the product into applications, note the system manufacturer's specifications for safe use of the product. The data specified only serve to describe the product. No statements concerning a certain condition or suitability for a certain application can be derived from our information. The information given does not release the user from the obligation of own judgment and verification. It must be remembered that the products are subject to a natural process of wear and aging.

The Emerson logo is a trademark and service mark of Emerson Electric Co. Brand logotype are registered trademarks of one of the Emerson family of companies. All other marks are the property of their respective owners. © 2017 Emerson Electric Co. All rights reserved.  
2019-03



## CONSIDER IT SOLVED™