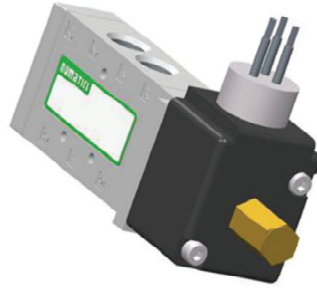
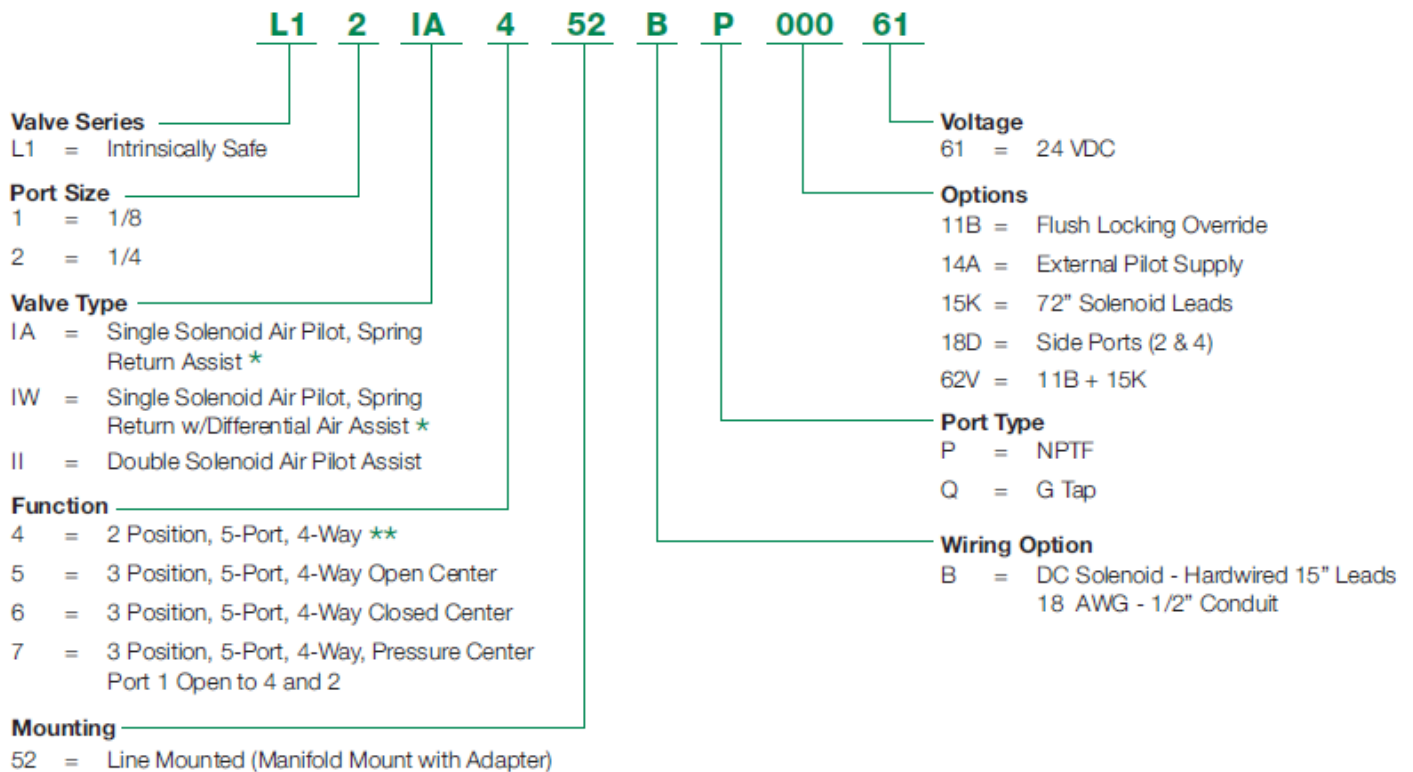


# L1 Intrinsically Safe Information



## L1 Series - Single & Double Solenoid - 2 & 3 Position How to Order

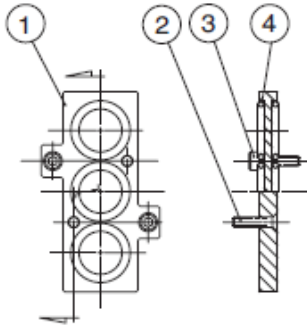
### Valves



\* Used with function "4" only

\*\* II4 function is mechanically detented

## Manifold Adapter Kit

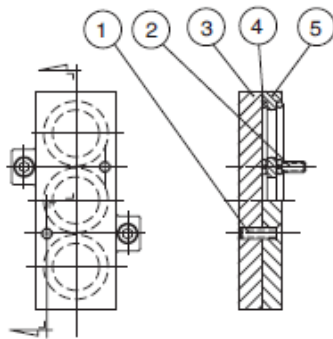


239-311

### Parts List

Det. No.	No. Req'd	Part Name	Part No.
1	1	Adapter	119-353
2	2	Screw	127-622
3	2	Screw	127-570
4	6	O-Ring	126-203

## Manifold Blank Station Plate Kit



239-288

### Parts List

Det. No.	No. Req'd	Part Name	Part No.
1	1	Blank Plate	119-352
2	2	Screw	127-622
3	1	Adapter	119-353
4	6	O-Ring	126-203
5	2	Screw	127-570

## L11 Manifold Mounting

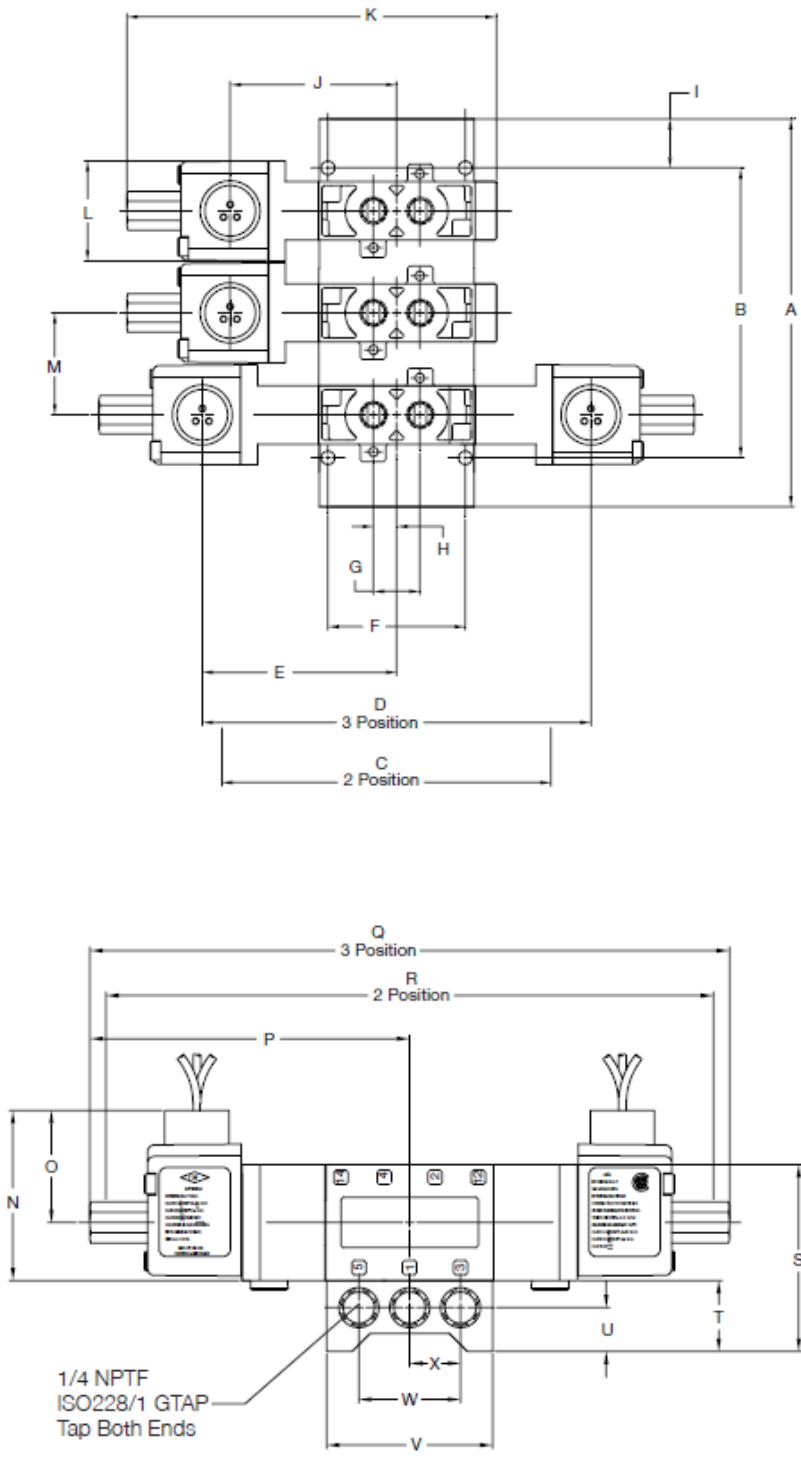
### Common Supply, Common Exhaust

- 1/8 & 1/4 NPTF or G tap ports
- One piece extrusion for 2 to 12 stations
- Galleries tapped at both ends ports 1, 3, & 5
- Accepts any L11 solenoid-pilot line mounted solenoid valve via adapter kit below (Order kit separate - 1 per valve)

# of Stations	Manifold Kit No.		Dimensions	
	1/4 NPTF	G 1/4	A	B
2 Stations	106-1074	106-1085	4.29	2.82
3 Stations	106-1075	106-1086	5.82	4.36
4 Stations	106-1076	106-1087	7.35	5.88
5 Stations	106-1077	106-1088	8.86	7.41
6 Stations	106-1078	106-1089	10.41	8.94
7 Stations	106-1079	106-1090	11.94	10.47

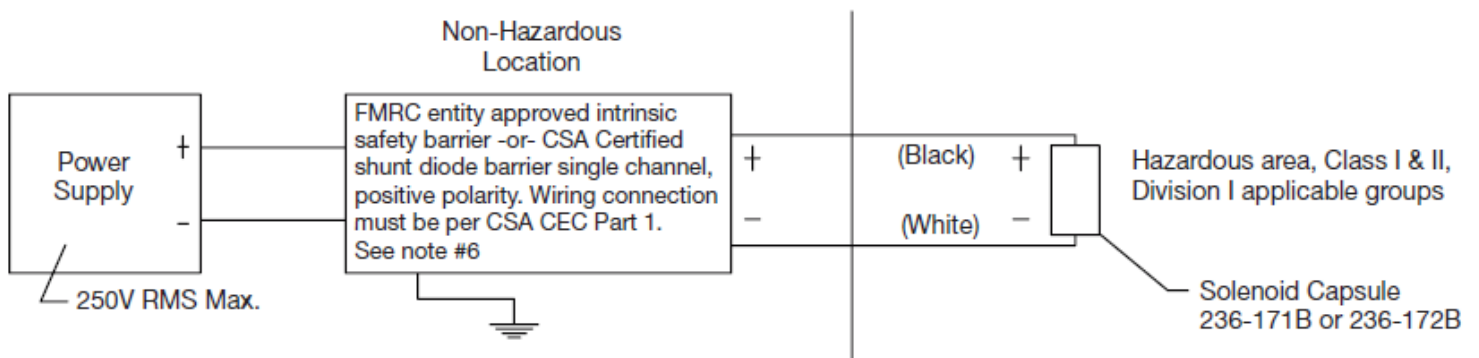
# of Stations	Manifold Kit No.		Dimensions	
	1/4 NPTF	G 1/4	A	B
8 Stations	106-1080	106-1091	13.47	12.06
9 Stations	106-1081	106-1092	15.00	13.53
10 Stations	106-1082	106-1093	16.53	15.06
11 Stations	106-1083	106-1094	16.06	16.95
12 Stations	106-1084	106-1095	19.58	18.12

### L1I Manifold Assembly - L1I - Solenoid Pilot Valve



<b>A</b>	<b>B</b>	<b>C</b>	<b>D</b>	<b>E</b>	<b>F</b>	<b>G</b>	<b>H</b>	<b>I</b>	<b>J</b>	<b>K</b>	<b>L</b>	<b>M</b>	<b>N</b>	<b>O</b>	<b>P</b>	<b>P</b>
See pg 9	See pg 9	5.52 (140.2) 2 Position	5.95 (151.1) 3 Position	2.97 (75.4)	2.06 (52.4)	0.70 (17.7)	0.35 (8.8)	0.74 (18.7)	2.50 (63.5)	5.55 (140.8)	1.50 (38.1)	1.53 (38.9)	2.38 (60.5)	1.57 (39.9)	4.26 (108.2) 2 Position	4.47 (113.6) 3 Position
<b>Q</b>	<b>R</b>	<b>S</b>	<b>T</b>	<b>U</b>	<b>V</b>	<b>W</b>	<b>X</b>									
8.95 (227.2) 3 Position	8.52 (216.4) 2 Position	2.62 (66.5)	0.99 (25.2)	0.61 (15.5)	2.33 (59.1)	1.42 (36.2)	0.71 (18.1)									

## Intrinsically Safe Electrical Specifications



### Safety Barrier Specifications

1. Maximum safe area voltage not to exceed 250V RMS.
2. Connect per barrier manufacturers instructions.
3. Certified passive zener barrier.

4.

MAXIMUM ENTITY PARAMETERS FOR FACTORY MUTUAL				
V max. (Vdc)	I max. (ma)	Group	C <sub>i</sub>	L <sub>i</sub>
22	100	A, B	0	0
28	125	C, D	0	0

Refers to V max and I max on output side of barrier.

### Barrier Selection Information:

Minimum Operating Voltage: 11.7 VDC @ 30 mA and 390 ohms @ 30 psi

Holding Current: 7 mA @ 150 psi applied

### Warning Guidance:

1. Control of environmental humidity to minimize the generation of static electricity.
2. Protection from direct air flow.
3. Equipment not intended to be used when area is known to be hazardous.
4. Gas detection monitoring.
5. Touch with an insulating object.
6. Means to continuously drain off electrostatic charges.