

Data Sheet

ZT16 High Purity Pressure Transmitter

FEATURES

- 316L Stainless steel pressure fitting
- 7 µin Ra Surface finish option
- 100% Helium leak tested
- Class 100 cleanroom packaged and double bagged
- 1.125" Surface mounting
- W and C seal types

TYPICAL USES

- High purity gas delivery systems
- Gas sticks
- Process gas analyzers



PERFORMANCE SPECIFICATIONS

Accuracy: ±0.5% or ±1.0% of span @ 23 °C
(Accuracy includes the effects of linearity, hysteresis and repeatability)

Stability: <0.25% of span/Yr

Durability: > 10 m cycles

ENVIRONMENTAL SPECIFICATIONS

Operating Temperature: -20 °C to 70 °C

Storage Temperature: -30 °C to 80 °C

Temperature Effect: ±0.05% of span/°C for units with ±0.5% Accuracy
±0.10% of span/°C for units with ±1.0% Accuracy
(Zero and Span) in operating temperature range

FUNCTIONAL SPECIFICATIONS

Response Time: 1 ms

Proof Pressure: 200% of of span

Leakage Test: < 5 x 10⁻¹¹ atm cc/s

ELECTRICAL SPECIFICATIONS

Supply Voltage: 21.6 - 26.4 Vdc (4 to 20 mA Version)
10.8 - 13.2 Vdc or 21.6 - 26.4 Vdc (1-5 Vdc Version)

Load Resistance: 500 Ω max (4 to 20 mA Version)
10K Ω min (1-5 Vdc Version)

Insulation Resistance: > 100M Ω at 50 Vdc

EMC/EMI: EN61326-1: 2013, EN61326-2-3: 2013

Output: 4 to 20 mA (2 Wire) or 1-5 Vdc (3 Wire)

KEY BENEFITS

- Ultra-compact size; ideal for high density mounting
- Ultraclean design & packaging
- 316L SS pressure fitting for protection against corrosion
- 100% Helium leak tested

PHYSICAL SPECIFICATIONS

Pressure Connection: 1.125" Surface Mount (Type W and C)

Electrical Connection: 5 Pin round connector

Weight: Appx 160 g excluding cable

Weather Protection: Indoor use

WETTED MATERIALS

Pressure Sensor: CoNi Alloy

Pressure Fitting: 316L SS

Surface Finish: 7 µin Ra (0.18 µm Ra)

Internal Volume: Appx 0.04 In³ / 0.7 cm³

NON-WETTED MATERIALS

Case Material: 304 Stainless steel

HAZARDOUS AREA CERTIFICATIONS

Approvals: CE, UKCA, RoHS

Data Sheet

ZT16 High Purity Pressure Transmitter

ORDERING CODE	Example:	ZT16	5	SMW	42	LW	2	V/150#	-X1N
Model									
ZT16		ZT16							
Accuracy									
5 - ±0.50% of span			5						
7 - ±1.00% of span									
Pressure Connection									
SMW - 1.125" Surface mount "W" Type (UC Grade)				SMW					
SMC - 1.125" Surface mount "C" Type (UC Grade)									
Output									
42 - 4 to 20 mA (2 Wire)					42				
15 - 1 - 5 Vdc (3 Wire)									
Electrical Termination									
LW - 5 Pin round connector w/o mating connector						LW			
L2 - 5 Pin round connector w mating connector & 3 foot (1 meter) cable									
L4 - 5 Pin round connector w mating connector & 6 foot (2 meter) cable									
L5 - 5 Pin round connector w mating connector & 9 foot (3 meter) cable									
Surface Finish / Cleaning Grade									
2 - UC Grade AOD/VAR 7 µin (0.18 µm) Ra & cleaned with no particles ≥0.1 µm							2		
Pressure Range									
V/150# (See range table for all standard ranges)								V/150#	
Options (If indicating an option must include an "X" (-X...))									
1N - Material Test Report/Traceability Certificate									X 1N

STANDARD RANGES		
psi	bar	mPa
V/45#	N1/3BR	NP1/P3MP
V/75#	N1/5BR	NP1/P5MP
V/150#	N1/10BR	NP1/1MP
45#	3BR	P3MP
75#	5BR	P5MP
150#	10BR	1MP

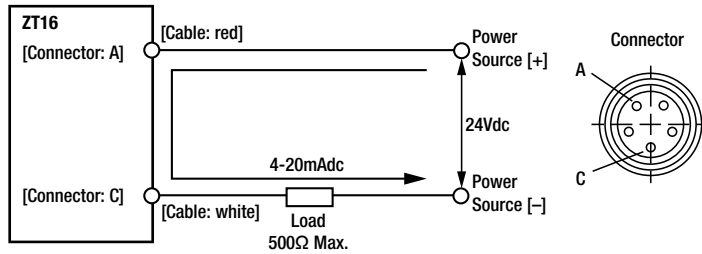
Data Sheet

ZT16 High Purity Pressure Transmitter

CONNECTOR & WIRING

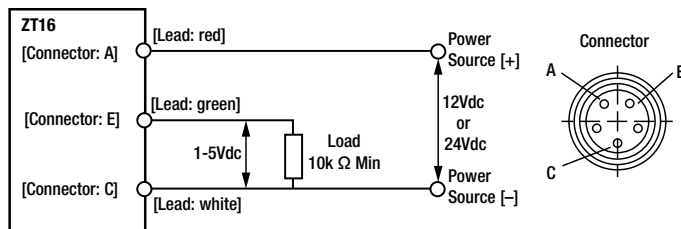
(1) 4 to 20 mA dc output (current output)

- [Connector: A] — [Lead: Red] — [Power source (+)]
- [Connector: C] — [Lead: White] — [Power source (-)]



(2) 1 to 5vdc output (voltage output)

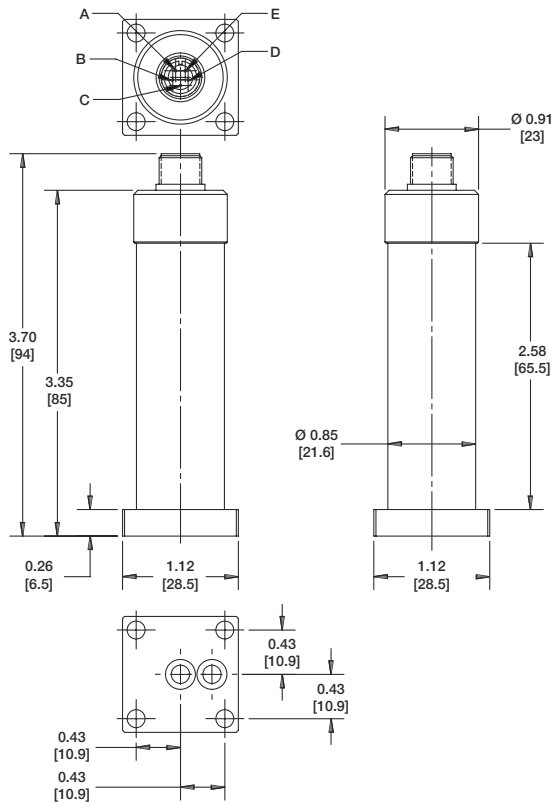
- [Connector: A] — [Lead: Red] — [Power source (+)]
- [Connector: C] — [Lead: White] — [Power source (-), Output (-)]
- [Connector: E] — [Lead: Green] — [Output (+)]



ZT16 High Purity Pressure Transmitter

DIMENSIONS Inches [mm]

ZT16 Surface Mount Type C



ZT16 Surface Mount Type W

