

310, 315 All-Welded “Mini” Diaphragm Seal

FEATURES

- No gaskets or bolts
- Available with 1/8 NPT flushing connection
- Designed for use with transducers and 3 1/2" or smaller gauges

TYPICAL USES

- Oil and gas
- Chemical processes
- Process equipment



310
Threaded Seal

SPECIFICATIONS

Connection Style:	310: All-welded 315: All-welded with flushing connection
Process Connection Size:	310: 1/8 to 1 NPT Male, 1/4 or 1/2 NPT Female 315: 1/4 or 1/2 NPT Female
Instrument Connection Size:	1/8 or 1/4 NPT Female
Pressure Rating (MAWP):	2,500 psi
Added Tolerance:	±0.5% typical
Wetted Components:	Diaphragm & bottom housing
Non-Wetted Components:	Top housing: 316L SS

WETTED COMPONENTS

Diaphragm Material	Bottom Housing Material
See ordering code on page 2	See ordering code on page 2

NON-WETTED COMPONENTS

Top Housing
316L SS

KEY BENEFITS

- Protects instrumentation in tight spaces
- Eliminates potential leak path with all-welded construction
- Low fill volume reduces temperature effects on instrument accuracy

Data Sheet

310, 315 All-Welded “Mini” Diaphragm Seal

ORDERING CODE	Example:	01	310	S	S	01T	XCK	NH
Process Connection Size								
01 - 1/8 NPT Male, (available with 310 only)		01						
02 - 1/4 NPT Male, (available with 310 only)								
04 - 1/2 NPT Male, (available with 310 only)								
06 - 3/4 NPT Male, (available with 310 only)								
08 - 1 NPT Male, (available with 310 only)								
25 - 1/4 NPT Female								
50 - 1/2 NPT Female								
Seal Type								
310 - All-welded Mini seal no flushing port			310					
315 - All-welded Mini seal with flushing port connection								
Diaphragm Material								
S - 316L SS				S				
H - Hastelloy® C-276								
U - Tantalum								
P - Monel® (Must be ordered with Monel® bottom housing)								
Bottom Housing Material								
S - 316L SS					S			
H - Hastelloy® C-276								
M - Monel®								
G - Hastelloy® B-2								
Instrument Connection Size								
01T - 1/8 NPT Female						01T		
02T - 1/4 NPT Female								
Options (if choosing an option(s) must include an “X”)							X__	
Filling Fluid								
CG - Glycerin								
CK - Silicon 50cST							CK	
CF - Halocarbon®								
See Filling Fluid Table Below								
Optional Features								
PU - Pipe Plug for flushing connection (Must match bottom housing material; 315 seal only)								
NH - SS instrument tag								NH
NN - Paper instrument tag								
DU - Instrument welded to seal								
MQ - Positive material identification								
W1 - Dye penetrant testing								
6B - Cleaned for oxygen service								

When selecting an instrument, refer to the [Min/Max Guide](#) for compatibility with this diaphragm seal or scan the QR code to the right.



Filling Fluid Table

Fill	Service	Connection to Instrument	Temperature Range °F	Code
Glycerin	Pressure	Direct Only	0/400	CG
Silicone	Pressure/Vacuum	Direct or Flexible Line	-40/500	CK
Halocarbon®	Pressure/Vacuum in presence of strong oxidizing agent	Direct or Flexible Line	-70/300	CF
Syltherm®	Pressure	Direct or Flexible Line	-40/750	HA

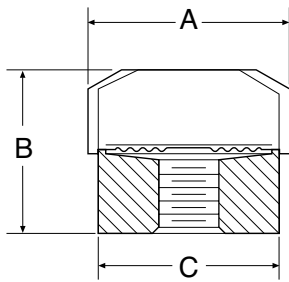
Data Sheet

310, 315 All-Welded “Mini” Diaphragm Seal

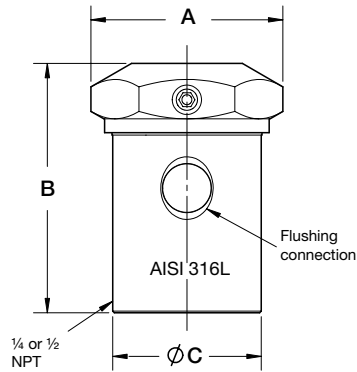
DIMENSIONS in [] are millimeters

Drawings are for reference only, consult Ashcroft for specific dimensional drawings.

	A		B		C	
	in	mm	in	mm	in	mm
Type 310	1.75	[38]	.81	[30]	1.34	[34]
Type 315	1.73	[44]	2.25	[57.2]	1.34	[34]



310 mini-seal – Threaded ¼, ½, ¾, NPT



315 mini-seal – Threaded ¼, ½, ¾, NPT