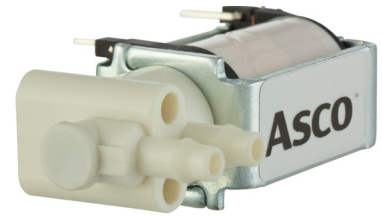
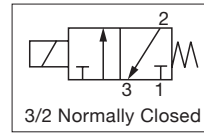
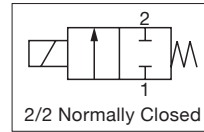


# ASCO™ MINIATURE SOLENOID VALVES

## GENERAL SERVICE VALVES

- The RB Series solenoid valves are designed for use with air and inert gases
- Highly customizable construction that is suitable for a wide variety of gas applications
- Compact light-weight architecture and low power consumption make them ideal for portable medical devices
- Exceptional service lifetime over 100 million cycles that increases OEM instrument reliability
- Meets all relevant CE directives, and is RoHS compliant
- Typical applications include:
  - Respiratory Therapy
  - Patient Monitoring
  - Compression Therapy (DVT)
  - Robotic Pharmacy Dispensing



Fluids*	Temperature Range	Seal Materials*
Air or Inert Gas <sup>1</sup>	0 °C to 60 °C (32 °F to 140 °F)	FKM
		NBR

<sup>1</sup> filtered at 10µm

\* Ensure that the compatibility of the materials in contact with the fluids is verified.

NOTE: Additional constructions and options are available including alternate elastomers and orifice sizes. Minimum quantities apply.

General Valve Information	
Body	PBT, brass
Others	Stainless steel
Response Time	< 10ms
Vacuum Rating	-0.9 bar (13 psi)

Electrical Characteristics	
Standard Voltages*	5 VDC, 12 VDC, 24 VDC
Power Consumption	0.5 to 2.0 W

\* Other voltages on request

NOTE: The solenoid valves are designed for continuous operation within the maximum ambient temperature limits

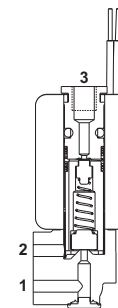
Insulation Class	Coil Insulation	Protection	Ambient Temperature Range	Electrical Connection
	°C (°F)	VA	°C (°F)	
B	130 (266)	IP30 (EN 60529)	0 to 60 (32 to 140)	Lead wires 26 AWG or circuit board mount



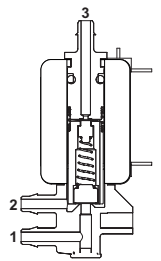
2/2 NC Manifold Mount



2/2 NC Line Mount



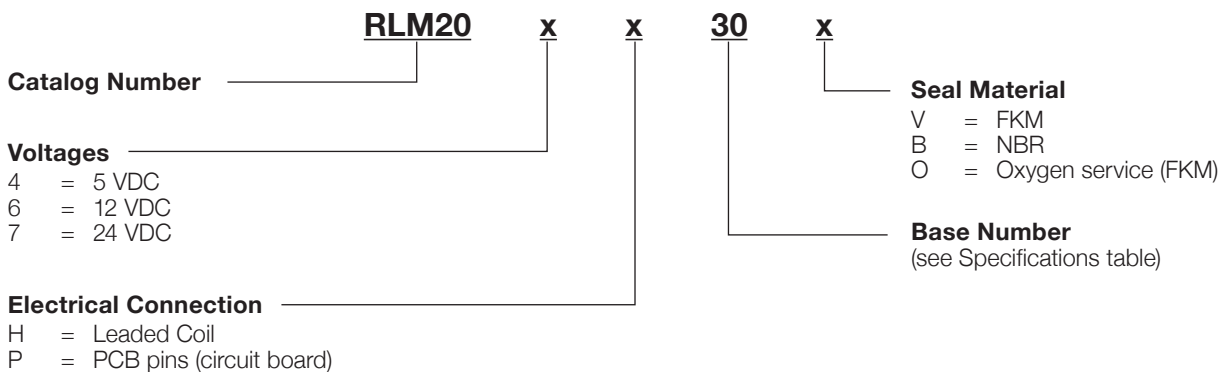
3/2 NC Pad Mount



3/2 NC Push-in Hose Connection

Specifications							
Connection	Orifice Size mm (inches)	Flow Coefficient		Operating Pressure bar (psi)		Power Rating W	Catalog Number
		Kv (m <sup>3</sup> /h)	Cv	min.	max. air, inert gas		
<b>2/2 NC - Normally Closed</b>							
10-32 UNF Stud Manifold Mount, Brass (M)	0.8 (0.031)	0.018	0.011	-0.9 (-13)	3.4 (50)	0.5	RLM20xx30x
	0.8 (0.031)	0.018	0.011	-0.9 (-13)	6.9 (100)	2.0	RHM20xx30x
	1.30 (0.051)	0.066	0.030	-0.9 (-13)	1.0 (15)	0.5	RLM20xx50x
	1.30 (0.051)	0.058	0.033	-0.9 (-13)	3.4 (50)	1.0	RMM20xx50x
	1.30 (0.051)	0.058	0.033	-0.9 (-13)	6.9 (100)	2.0	RHM20xx50x
	2.00 (0.079)	0.097	0.056	-0.9 (-13)	1.0 (15)	2.0	RHM20xx80x
10-32 UNF Female Line Mount, Brass (L)	0.8 (0.031)	0.018	0.011	-0.9 (-13)	3.4 (50)	0.5	RLL20xx30x
	0.8 (0.031)	0.018	0.011	-0.9 (-13)	6.9 (100)	2.0	RHL20xx30x
	1.30 (0.051)	0.066	0.030	-0.9 (-13)	1.0 (15)	0.5	RLL20xx50x
	1.30 (0.051)	0.058	0.033	-0.9 (-13)	3.4 (50)	1.0	RML20xx50x
	1.30 (0.051)	0.058	0.033	-0.9 (-13)	6.9 (100)	2.0	RHL20xx50x
	2.00 (0.079)	0.097	0.056	-0.9 (-13)	1.0 (15)	2.0	RHL20xx80x
3.17mm (0.125in) Push-in Hose Connector PBT (B)	0.8 (0.031)	0.026	0.010	-0.9 (-13)	1.0 (15)	0.5	RLB20xx30x
	0.8 (0.031)	0.018	0.011	-0.9 (-13)	3.4 (50)	1.0	RMB20xx30x
	0.8 (0.031)	0.018	0.011	-0.9 (-13)	6.9 (100)	2.0	RHB20xx30x
	1.30 (0.051)	0.079	0.031	-0.9 (-13)	0.7 (10)	0.5	RLB20xx50x
	1.30 (0.051)	0.058	0.033	-0.9 (-13)	2.4 (35)	1.0	RMB20xx50x
	1.30 (0.051)	0.058	0.033	-0.9 (-13)	4.8 (70)	2.0	RHB20xx50x
	2.00 (0.079)	0.097	0.056	-0.9 (-13)	1.7 (25)	2.0	RHB20xx80x
Pad Mount, PBT (F)	0.8 (0.031)	0.026	0.010	-0.9 (-13)	1.0 (15)	0.5	RLF20xx30x
	0.8 (0.031)	0.018	0.011	-0.9 (-13)	3.4 (50)	1.0	RMF20xx30x
	0.8 (0.031)	0.018	0.011	-0.9 (-13)	6.9 (100)	2.0	RHF20xx30x
	1.30 (0.051)	0.079	0.031	-0.9 (-13)	0.7 (10)	0.5	RLF20xx50x
	1.30 (0.051)	0.058	0.033	-0.9 (-13)	2.4 (35)	1.0	RMF20xx50x
	1.30 (0.051)	0.058	0.033	-0.9 (-13)	4.8 (70)	2.0	RHF20xx50x
	2.00 (0.079)	0.097	0.056	-0.9 (-13)	1.7 (25)	2.0	RHF20xx80x

**How to Order**



01045GB-2019-R01

# ASCO™ MINIATURE SOLENOID VALVES

## GENERAL SERVICE VALVES

Specifications										
Connection	Orifice Size		Flow Coefficient				Operating Pressure bar (psi)		Power Coil W	Catalog Number
	mm (inches)		Kv (m <sup>3</sup> /h)		Cv		min.	max. air, inert gas		
	Port 1	Port 3	Port 1	Port 3	Port 1	Port 3				
<b>3/2 NC - Normally Closed</b>										
10-32 UNF Stud Manifold Mount, Brass (M)	0.8 (0.031)	1.0 (0.040)	0.018	0.031	0.011	0.018	-0.9 (-13)	3.4 (50)	0.5	RLM3xxx34x
	0.8 (0.031)	1.0 (0.040)	0.018	0.031	0.011	0.018	-0.9 (-13)	6.9 (100)	2.0	RHM3xxx34x
	1.30 (0.051)	1.3 (0.051)	0.066	0.052	0.030	0.024	-0.9 (-13)	1.0 (15)	0.5	RLM3xxx55x
	1.30 (0.051)	1.3 (0.051)	0.058	0.050	0.033	0.029	-0.9 (-13)	3.4 (50)	1.0	RMM3xxx55x
	1.30 (0.051)	1.3 (0.051)	0.058	0.050	0.033	0.029	-0.9 (-13)	6.9 (100)	2.0	RHM3xxx55x
	2.00 (0.079)	1.3 (0.051)	0.097	0.050	0.056	0.029	-0.9 (-13)	1.7 (25)	2.0	RHM3xxx85x
10-32 UNF Female Line Mount, Brass (L)	0.8 (0.031)	1.0 (0.040)	0.018	0.031	0.011	0.018	-0.9 (-13)	3.4 (50)	0.5	RLL3xxx34x
	0.8 (0.031)	1.0 (0.040)	0.018	0.031	0.011	0.018	-0.9 (-13)	6.9 (100)	2.0	RHL3xxx34x
	1.30 (0.051)	1.3 (0.051)	0.066	0.052	0.030	0.024	-0.9 (-13)	1.0 (15)	0.5	RLL3xxx55x
	1.30 (0.051)	1.3 (0.051)	0.058	0.050	0.033	0.029	-0.9 (-13)	3.4 (50)	1.0	RML3xxx55x
	1.30 (0.051)	1.3 (0.051)	0.058	0.050	0.033	0.029	-0.9 (-13)	6.9 (100)	2.0	RHL3xxx55x
	2.00 (0.079)	1.3 (0.051)	0.097	0.050	0.056	0.029	-0.9 (-13)	1.7 (25)	2.0	RHL3xxx85x
3.17mm (0.125in) Push-in Hose Connecton PBT (B)	0.8 (0.031)	1.0 (0.040)	0.026	0.033	0.010	0.013	-0.9 (-13)	1.0 (15)	0.5	RLB3xxx34x
	0.8 (0.031)	1.0 (0.040)	0.018	0.031	0.011	0.018	-0.9 (-13)	3.4 (50)	1.0	RMB3xxx34x
	0.8 (0.031)	1.0 (0.040)	0.018	0.031	0.011	0.018	-0.9 (-13)	6.9 (100)	2.0	RHB3xxx34x
	1.30 (0.051)	1.3 (0.051)	0.079	0.059	0.031	0.023	-0.9 (-13)	0.7 (10)	0.5	RLB3xxx55x
	1.30 (0.051)	1.3 (0.051)	0.058	0.050	0.033	0.029	-0.9 (-13)	2.4 (35)	1.0	RMB3xxx55x
	1.30 (0.051)	1.3 (0.051)	0.058	0.050	0.033	0.029	-0.9 (-13)	4.8 (70)	2.0	RHB3xxx55x
	2.00 (0.079)	1.3 (0.051)	0.097	0.050	0.056	0.029	-0.9 (-13)	1.7 (25)	2.0	RHB3xxx85x
Pad Mount, PBT (F)	0.8 (0.031)	1.0 (0.040)	0.026	0.033	0.010	0.013	-0.9 (-13)	1.0 (15)	0.5	RLF3xxx34x
	0.8 (0.031)	1.0 (0.040)	0.018	0.031	0.011	0.018	-0.9 (-13)	3.4 (50)	1.0	RMF3xxx34x
	0.8 (0.031)	1.0 (0.040)	0.018	0.031	0.011	0.018	-0.9 (-13)	6.9 (100)	2.0	RHF3xxx34x
	1.30 (0.051)	1.3 (0.051)	0.079	0.059	0.031	0.023	-0.9 (-13)	0.7 (10)	0.5	RLF3xxx55x
	1.30 (0.051)	1.3 (0.051)	0.058	0.050	0.033	0.029	-0.9 (-13)	2.4 (35)	1.0	RMF3xxx55x
	1.30 (0.051)	1.3 (0.051)	0.058	0.050	0.033	0.029	-0.9 (-13)	4.8 (70)	2.0	RHF3xxx55x
	2.00 (0.079)	1.3 (0.051)	0.097	0.050	0.056	0.029	-0.9 (-13)	1.7 (25)	2.0	RHF3xxx85x

### How to Order

**RLM3**    **x**    **x**    **x**    **30**    **x**

**Catalog Number** —————

**Port 3 Style** —————

B = 3.2mm (0.125in) push-in hose connection  
F = 10-32 UNF female

**Voltagess** —————

4 = 5 VDC  
6 = 12 VDC  
7 = 24 VDC

**Seal Material**

V = FKM  
B = NBR  
O = Oxygen service (FKM)

**Base Number**  
(see Specifications table)

**Electrical Connection**

H = Leaded Coil  
P = PCB pins (circuit board)

### Options

- Other seal materials available on request
- Other voltages and electrical connections available
- Oxygen service
- Other pipe connections available on request

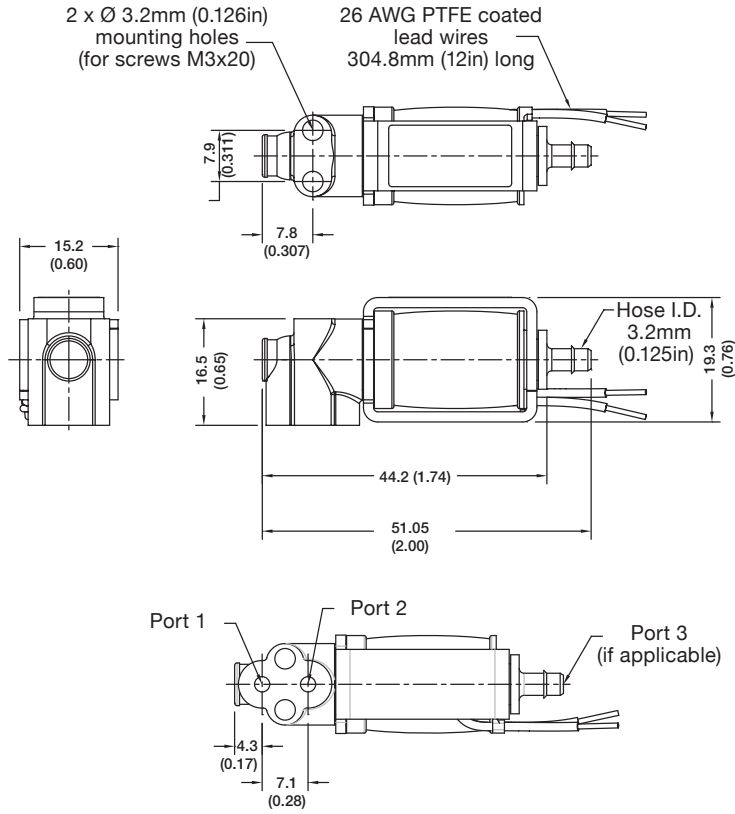
### Installation

- The solenoid valves can be mounted in any position without affecting operation
- Line Mount solenoid valves have 2 mounting holes in body

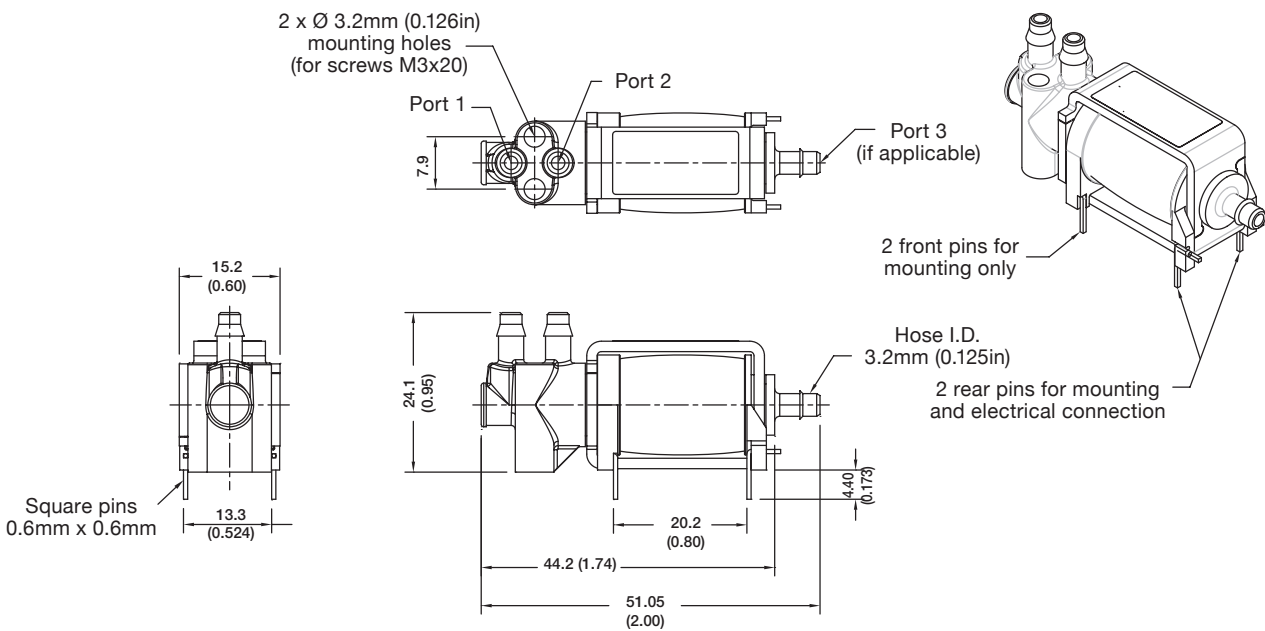
01045GB-2019-F01

**Dimensions: mm (inches)**

**2- and 3-Way Pad Mount Solenoid Valve**



**2- and 3-Way Solenoid Valve with Push-in Hose Connection**



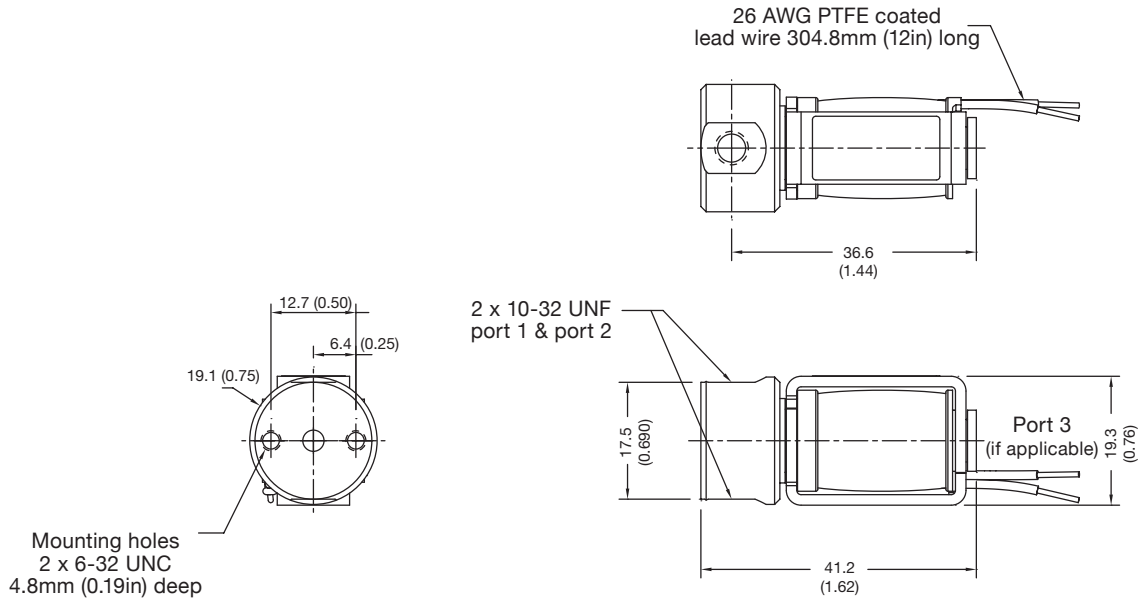
01045GB-2019-R01

# ASCO™ MINIATURE SOLENOID VALVES

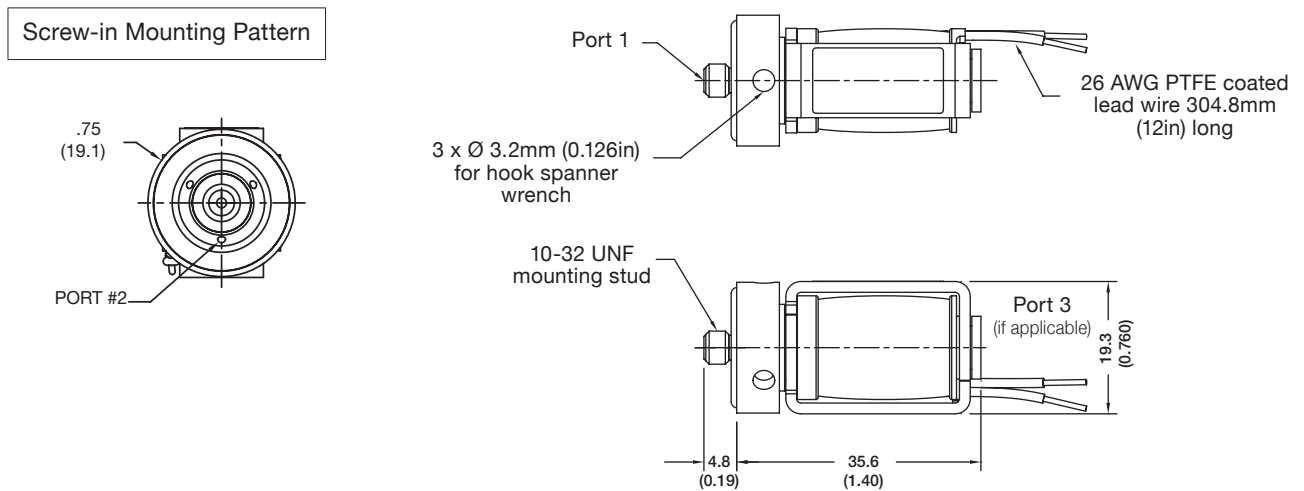
GENERAL SERVICE VALVES

**Dimensions: mm (inches)**

## 2- and 3-Way Line Mount Solenoid Valve



## 2- and 3-Way Manifold Mount Solenoid Valve



01045GB-2019-F01

