



Low Temperature Gas Shutoff Valve (DC)

Stainless Steel Body • 1/4" to 1" NPT

2-Way Normally Closed

2/2
SERIES
HV426716
HV426780
HV285926

Features

- Ambient temperature range; -40°F to 125°F (-40°C to 52°C)
- Zero minimum differential pressure
- Maximum operating pressure differential up to 50 psi
- Robust design provides consistent and reliable operation
- Meets Automatic Gas Valves Z21.21, CSA 6.5 C/I Safety Shutoff standard
- Complies with ANSI/ISA-12.27.01.2003 single seal requirements
- Meets the metallurgical requirements of NACE MR-0175
- Resilient soft seating for tight shutoff
- For on-off control of fuel gas in commercial and industrial gas burners

Fluid: Fuel Gas

Construction

Valve Parts in Contact with Fluids	
Body	304 Stainless Steel
Seals and Disc	Low Temp. NBR (1/2", 3/4") Low Temp. FKM (1/4", 3/8", 1")
Diaphragm	Low Temp. NBR (1/2", 3/4") Low Temp. HNBR (1")
Core Tube	305 Stainless Steel
Core and Plugnut	430F Stainless Steel
Springs	Inconel
Rider Ring	PTFE

Electrical

Standard Coil and Class of Insulation	Watt Rating	Ambient Temp. °F (°C)	Spare Coil Family
	DC (Watts)		Explosionproof
H	10.6	-40 to 125°F (-40 to 52°C)	238514
	11.6		238914
F	12.1		274646

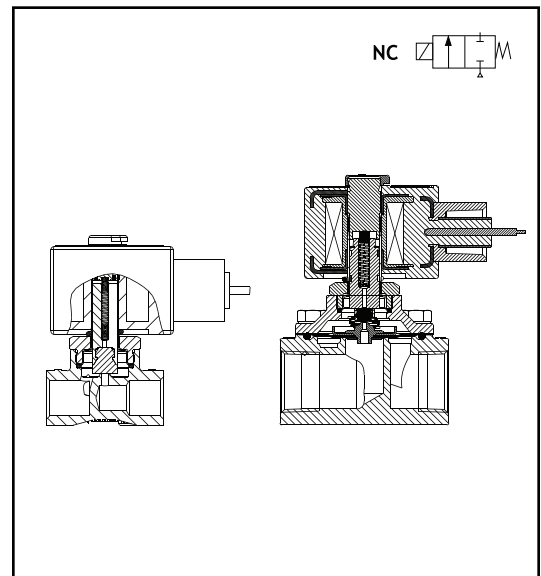
Standard Voltages: 12, 24VDC
Note: Not for use with solenoid drivers or peak and hold external controllers.

Solenoid Enclosures

Explosionproof & Watertight, Types 3, 3S, 4, 4X, 6, 6P, 7, and 9.

Leads

Standard: 72" leads



Approvals

CSA Certified:

- 1) Solenoid (for HV426716 & HV426780 Series DC Constructions), and valve (HV285926 DC Construction) for Hazardous Locations, File 013976.
 - 2) Automatic Gas Valves Z21.21, CSA 6.5 C/I Safety Shutoff, File 112872.
 - 3) Standard C22.2 No. 139 "Electrically Operated Valves", File 112872.
 - 4) ANSI/ISA-12.27.01.2003 Single Seal.
- Consult factory for Canadian Registration Numbers (CRN).*
 UL Listed Explosionproof Solenoid.
 (for HV426716 & HV426780 Series DC Constructions)

COMBUSTION

Specifications

Pipe Size (in)	Orifice Size (in)	Cv Flow	Gas Capacity		Operating Pressure Differential (psi) ④		Fluid Temp. Range °F (°C) ③	Catalog Number	Voltage	Const. Ref.	Agency		Wattage
			Btu/hr. ①	Btu/hr. ②	Min.	Max.					UL	CSA	
COMBUSTION (Fuel Gas) - Normally Closed (Closed when de-energized)													
1/4	5/32	0.52	27,000	410,000	0	50	-40 to 125°F (-40 to 52°C)	HV426716001 HV426716002	12 VDC 24 VDC	1	<input type="checkbox"/>	<input type="checkbox"/>	10.6
3/8	7/32	0.82	44,000	527,000	0	35	-40 to 125°F (-40 to 52°C)	HV426716101 HV426716102	12 VDC 24 VDC		<input type="checkbox"/>	<input type="checkbox"/>	
1/2	5/8	4.3	231,900	3,529,000	0	50	14 to 125°F (-10 to 52°C)	HV426780001 HV426780002	12 VDC 24 VDC	2	<input type="checkbox"/>	<input type="checkbox"/>	11.6
3/4	5/8	4.5	242,600	3,693,000	0	50	14 to 125°F (-10 to 52°C)	HV426780101 HV426780102	12 VDC 24 VDC		<input type="checkbox"/>	<input type="checkbox"/>	
1	1	13	701,000	8,268,480	0	50	14 to 125°F (-10 to 52°C)	HV285926011 HV285926012	12 VDC 24 VDC	3	-	<input type="checkbox"/>	12.1
											-	<input type="checkbox"/>	

○ = Safety Shutoff Valve. □ UL Listed Hazardous Location, solenoid only. ① 1" W.C. Drop @ 2" W.C. Inlet Pressure, 1,000 Btu/cu.ft. or more, 0.64 Specific Gravity Gas.

② 10% of MOPD pressure drop @ 25% of MOPD inlet pressure, 1,000 Btu/cu.ft. or more, 0.64 Specific Gravity Gas (based on CSA 6.5).

③ Dewpoint - To prevent freezing of condensed water vapor in the valve, the fuel gas must have a dewpoint at least 10°C (18°F) below the minimum temperature to which any point of the system will be exposed.

④ Safe Working Pressure (SWP); 100 psi, is the line or system pressure to which the valve may be subjected without being damaged. To ensure proper operation, the Maximum Operating Pressure Differential (MOPD) stamped on nameplate must be adhered to.

Dimensions: inches [mm]

