

ASCO™ High-Flow Direct Acting Valves

Balanced Poppet Type | 316 Stainless Steel Bodies | ¼" Porting

**3/2
Series
327**

Features

- High Flow Piloting with no minimum operating pressure required
- Balanced Poppet construction for high flow at minimum power levels
- PTFE rider rings and graphite-filled seals reduce friction and eliminate sticking to provide exceptional service life
- 316L Stainless Steel construction for highly corrosive atmospheres
- NAMUR mount option available
- Product is SIL (Safety Integrity Level) 3 Capable to IEC 61508-1 Exida certified.
- Optional CRN (Canadian Registration Number) and other regional certificates available



| Performance Data | |
|--|--|
| Construction | Standard Construction |
| Enclosures | Epoxy powder coated Aluminum or 316L Stainless Steel |
| Flow, Kv (Cv) | 0.7 (0.8) |
| Maximum Operating Pressure Differential, bar (psi) | 12 (174) |
| Fluid Media | Air, Inert Gas, Water, Light oil |
| Maximum Viscosity mm ² /s cST | 65 |
| Ambient and Fluid Temperature, Standard FKM Seals, °C (°F) | UL, C/US: -20 to 84 (-4 to 183) ATEX: -20 to 90 (-4 to 194) |
| Ambient and Fluid Temperature, Low-Temperature FVQM Seals, °C (°F) | -60 to 60 (-76 to 140) |
| Construction | |
| Body | 316L Stainless Steel |
| Core Tube | 316L Stainless Steel |
| Stem & Insert | 316L Stainless Steel |
| Core & Plugnut | 430F Stainless Steel |
| O-ring Holder | 316L Stainless Steel |
| Springs | 17-7 Stainless Steel |
| Seals & Discs | FKM (standard) or FVMQ (low-temperature construction) |
| Rider Ring | PTFE Graphite filled |
| Temporary Connector | Plastic (UDEL P-1700 BK 937) |
| Electrical | |
| Voltage | DC: 6, 12, 24, 48, 120, 240 Class H 125, 250 DC Battery Charging AC: 24/50-60, 48/50-60 Class H 120/60, 110/50 Class H 208/50-60 Class H 240/60, 230/50 Class H |
| Power, Watts | AC: 2.7 DC: 1.9 ≤24v, >24v 2.6 to 3.6 |
| Enclosure Approvals | |
| Ingress Protection | IP 66 & 68 Type 4X & 6P |
| Hazardous Location | UL, ULc CLI, Div 1, Gp B, C, D and CLII, Div 1 Gp E, F, G ATEX/IECEX: II 2 G Ex db IIC T5/T6 Gb II 2 D Ex tb IIIC T85°C/ T100°C Db |

ASCO™ High Flow Direct Acting Valves

Balanced Poppet Type | 316 Stainless Steel Bodies | ¼" Porting

**3/2
Series
327**

Recommended Codes

| Suggested Codes * | Construction | Body (SS) | Electrical Connection (*Equivalent Temporary Connector Code) | Options | Voltage Power | Dimensions | | |
|-------------------|--------------|---------------------------------------|---|---------------------------------------|--------------------------------|------------|-----------------------|---------------------------------------|
| 8327C102F392LH9 | Standard | Threaded | 1/2" NPT, SS, Surge Suppression *TK | MO/MS | 48/DC 2.6W | A | | |
| 8327C102F39YTHN | | | | None | 125 DC Battery charging 2.7W | | | |
| 8327C102FN9YTH0 | | | | | 120/60, 110/50 2.7W | | | |
| 8327C112F59YTH0 | Low Temp | | | 1/2" NPT, SS *TB | | | 120/60, 110/50 2.7W | |
| 8327C302F392JH1 | Standard | | | 1/2" NPT, SS, Surge Suppression *TK | MO | | 24/DC <2W | |
| 8327C302F392KH1 | | | | | MS | | | |
| 8327C302F39YTH1 | | | | | None | | | |
| 8327C302F49YTH1 | | | | | | | | 20mm, SS, Surge Suppression *TM |
| 8327C302F89YTH1 | | | | | | | | 1/2" NPT, Al, Surge Suppression *TJ |
| 8327C302F29YTH1 | | | | | | | | 20mm, Al, Surge Suppression *TL |
| 8327C312F89YTH1 | | 1/2" NPT, Al, Surge Suppression *TJ | | | | | | |
| 8327C312F29YTH1 | | 20mm, Al, Surge Suppression *TL | | | | | | |
| 8327C305F292JH1 | Standard | Namur | 20mm, Al, Surge Suppression *TL | MO | B | | | |
| 8327C305F39YTH1 | | | 1/2" NPT, SS, Surge Suppression *TK | None | | | | |
| 8327C305F892JH1 | | | 1/2" NPT, Al, Surge Suppression *TJ | MO | | | | |

* For alternative threads replace prefix 8 with G or J

Availability, design and specifications are subject to change without notice.
© 2023 Emerson Electric Co. All rights reserved.

ASCO™ High Flow Direct Acting Valves

Balanced Poppet Type | 316 Stainless Steel Bodies | 1/4" Porting

**3/2
Series
327**

How to order

| PRODUCT CODE | | | | | | | | | | |
|--|----------|------------|----------|----------|----------|----------|---|------------|-----------|--|
| | 8 | 327 | C | 1 | 0 | 1 | FN | 9YT | H1 | |
| Port Type | | | | | | | Voltage | | | |
| G = ISO G/Rp Body Connection | | | | | | | J7 = 6/DC Class H | | | |
| 8 = NPT Body Connection | | | | | | | H3 = 12/DC Class H | | | |
| J = ISO Rc Body Connection | | | | | | | H1 = 24/DC Class H | | | |
| Product Series | | | | | | | H9 = 48/DC Class H | | | |
| 327 = 3 Way - Direct Acting | | | | | | | HD = 120/DC Class H | | | |
| Revision | | | | | | | J2 = 240/DC Class H | | | |
| C = 3rd Generation | | | | | | | HN = 125 DC Battery charging | | | |
| Power | | | | | | | HM = 250/DC Battery Charging | | | |
| 1 = 2 to 4 Watts | | | | | | | HQ = 24/50-60 Class H | | | |
| 3 = < 2 Watts | | | | | | | HS = 48/50-60 Class H | | | |
| Construction | | | | | | | H0 = 120/60, 110/50 Class H | | | |
| 0 = Standard Construction Standard Temperature 12 Bar Pressure Max | | | | | | | NL = 208/50-60 Class H | | | |
| 1 = Standard Construction Low temperature 12 Bar Pressure Max | | | | | | | LU = 240/60, 230/50 Class H | | | |
| Body Material | | | | | | | Options (1) | | | |
| 2 = Stainless Steel | | | | | | | 9YT = No Options | | | |
| 5 = Namur Mount Stainless Steel | | | | | | | 92J = Manual operation Push (MO) | | | |
| | | | | | | | 92K = Manual operation Screwed (MS) | | | |
| | | | | | | | 92L = Removable Pressurized MO/MS | | | |
| | | | | | | | Electrical Connection Type | | | |
| | | | | | | | FN = Aluminum Flameproof Direct Cable Entry 1/2" NPT enclosure | | | |
| | | | | | | | FS = 316 Stainless Steel Flameproof Direct Cable Entry 1/2" NPT enclosure | | | |
| | | | | | | | FT = Aluminum Flameproof Direct Cable Entry 20mm enclosure | | | |
| | | | | | | | FU = 316 Stainless Steel Flameproof Direct Cable Entry 20mm enclosure | | | |
| | | | | | | | F8 = Aluminum Flameproof Direct Cable Entry 1/2" NPT + Surge Suppression enclosure | | | |
| | | | | | | | F3 = 316 Stainless Steel Flameproof Direct Cable Entry 1/2" NPT + Surge Suppression enclosure | | | |
| | | | | | | | F2 = Aluminum Flameproof Direct Cable Entry 20mm + Surge Suppression enclosure | | | |
| | | | | | | | F4 = 316 Stainless Steel Flameproof Direct Cable Entry 20mm + Surge Suppression enclosure | | | |
| | | | | | | | TA = Aluminum Flameproof Direct Cable Entry 1/2 NPT + Temporary Connector enclosure | | | |
| | | | | | | | TB = 316 Stainless Steel Flameproof Direct Cable Entry 1/2 NPT + Temporary Connector enclosure | | | |
| | | | | | | | TC = Aluminum Flameproof Direct Cable Entry 20mm + Temporary Connector enclosure | | | |
| | | | | | | | TD = 316 Stainless Steel Flameproof Direct Cable Entry 20mm + Temporary Connector enclosure | | | |
| | | | | | | | TJ = Aluminum Flameproof Direct Cable Entry 1/2 NPT / Surge Suppression + Temporary Connector enclosure | | | |
| | | | | | | | TK = 316 Stainless Steel Flameproof Direct Cable Entry 1/2 NPT/Surge Suppression + Temporary Connector enclosure | | | |
| | | | | | | | TL = Aluminum Flameproof Direct Cable Entry 20mm / Surge Suppression + Temporary Connector enclosure | | | |
| | | | | | | | TM = 316 Stainless Steel Flameproof Direct Cable Entry 20mm/Surge Suppression + Temporary Connector enclosure | | | |

(1) Notes: If multiple options are required, please use the online configurator on the website to generate the part number (www.asco.com), or consult factory

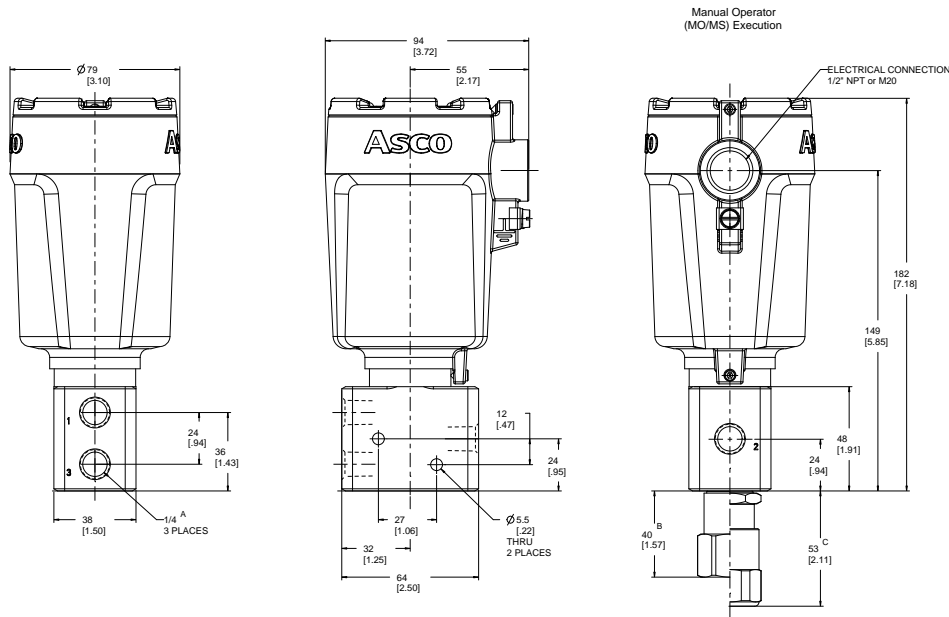
Availability, design and specifications are subject to change without notice. © 2023 Emerson Electric Co. All rights reserved.

ASCO™ High Flow Direct Acting Valves

Balanced Poppet Type | 316 Stainless Steel Bodies | 1/4" Porting

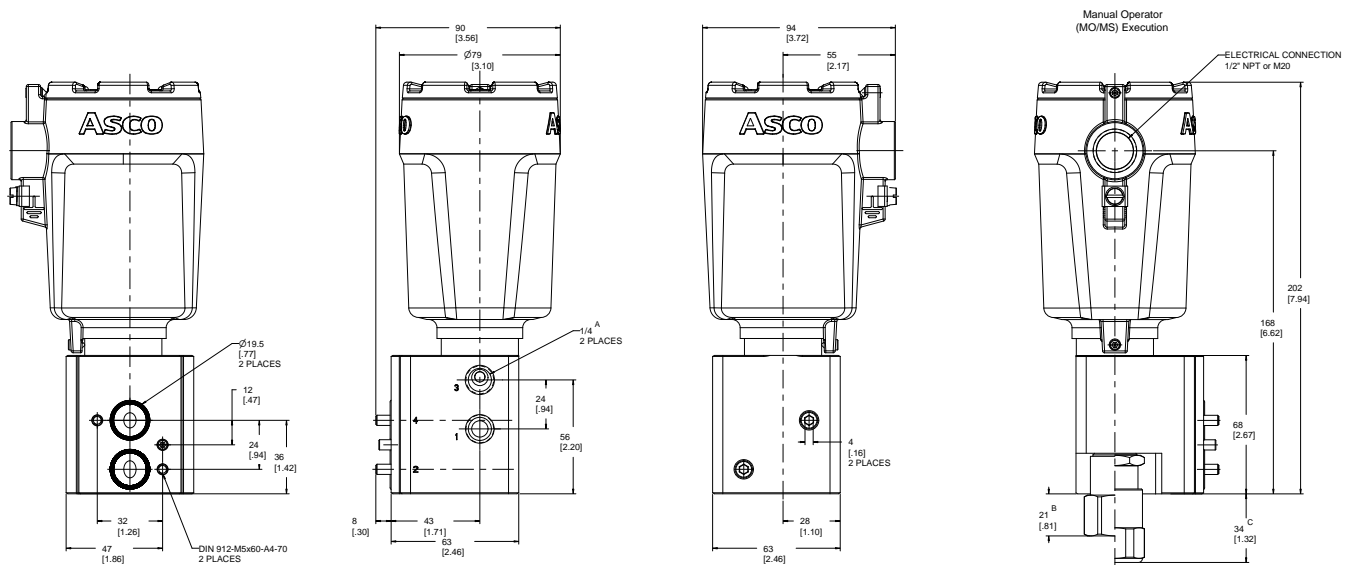
**3/2
Series
327**

Dimensions A: mm (inches) Threaded



- A Port Types: ANPT, ISO 1179-1, RC
- B For Manual Operator Push type
- C For Manual Operator Screw Type

Dimensions B: mm (inches) Namur



Availability, design and specifications are subject to change without notice.
© 2023 Emerson Electric Co. All rights reserved.