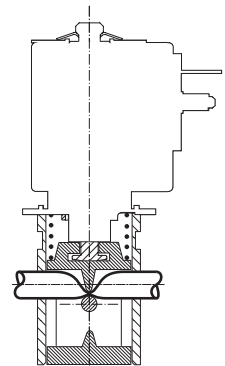
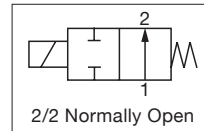
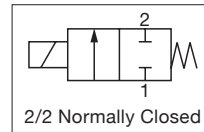


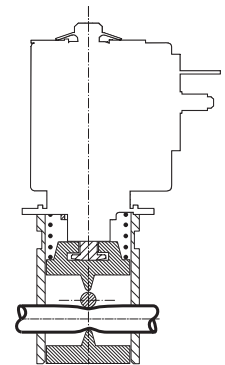
ASCO™ MINIATURE SOLENOID VALVES

PINCH VALVES, COMPACT 2-WAY SOLENOID

- The 284 Series are 2-Way normally closed and normally open solenoid operated pinch valves designed for use with highly aggressive or high-purity liquids in analytical and medical instrumentation, and industrial applications
- Hermetic separation of control mechanism and the fluid within the tubing prevents particulate contamination caused by friction of moving parts, assuring maximum purity of liquids
- Removable and rotatable electrical coils allow for easy installation and worry-free maintenance
- Bi-directional flow for exceptional versatility
- Available in a large range of body sizes to accommodate a wide variety of tubing sizes
- Meets all relevant CE directives, and is RoHS compliant
- Typical applications include:
 - Hemodialysis
 - Urinary Collection Systems
 - Intravenous (IV) Systems
 - Drug Dispensing



2/2 Normally Closed



2/2 Normally Open

Fluids*	Temperature Range
Air, Inert Gases, Water, Oil or Liquids	0 °C to 50 °C (32 °F to 122 °F)

* Ensure that the compatibility of the materials in contact with the fluids is verified

General Valve Information*		
Body	Aluminum, anodized	POM (Graphite-reinforced polyacetal)
Pinch Mechanism	POM (Graphite-reinforced polyacetal)	
Others	Stainless Steel	
Guide Tube	Nickel-plated brass	
Coil frame		Galvanized steel
Recommended Tubing	VMQ (silicone) (max. Hardness: 50 Shore A) Tubing not supplied with valve	VMQ (silicone) (max. Hardness: 50 Shore A) 30cm (12in) tubing supplied with valve

* Ensure that the compatibility of the materials in contact with the fluids is verified

Electrical Characteristics		
	Aluminium Body	POM Body
Coil Insulation Class	F	A
Connector	Spade plug; cable Ø4-6mm (0.16-0.24in), Ø6-10mm (0.24-0.40in)	305mm (12in) Lead Wires
Connector Specification	4 W (DNX-4) DIN 43650, 9.4mm (0.37in), industry standard B 6 W/13 W (AMX/FNX) ISO 4400/EN 175301-803, form A	
Electrical Safety	IEC 335	IEC 335
Electrical Enclosure Protection	Coil type 01 = IP65 Coil type 02-03 = IP65	IP30 (EN 60529)
Standard Voltages ¹	12 VDC, 24 VDC	12 VDC, 24 VDC
Power Consumption	4 W, 9 W, 13 W	2.8 W
Response Time	< 20ms	<10 ms

¹ Other voltages on request

Prefix Option	Power Ratings			Ambient Temperature Ranges	Replacement Coil		Type 2
	Inrush	Holding	Hot/Cold		12 VDC	24 VDC	
	VA	VA	W				
SC	-	-	-	-10 to 60 (14 to 140)	43005268	43005269	01 (DNX-4)
					43005143	43005144	02 (AMX)
					43005316	43005317	03 (FNX)
					-	-	-

² Refer to the dimensional drawings on the following page

01085GB-2019-R01

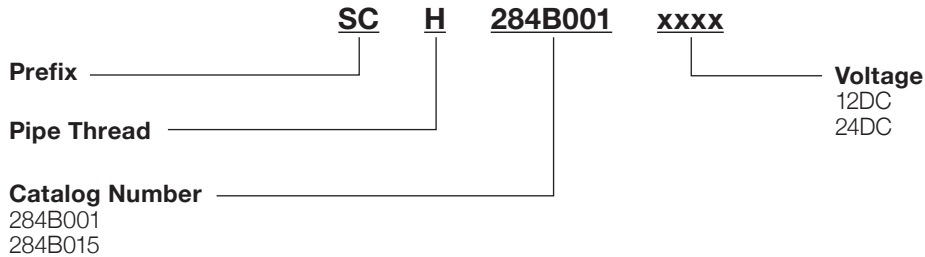
Specifications										
Tube I.D.	Tube O.D.	Pinch Force	Operating Pressure bar (psi)			Power Rating	Catalog Number			
			min.	max.			Aluminium	POM		24 VDC
mm (inches)	mm (inches)	daN		air, inert gas	liquids	W				
2/2 NC - Normally Closed										
0.76 (0.030)	1.65 (0.065)	0.18	0	0.8 (11.6)	0.8 (11.6)	-	4	SCH284B001	-	-
1.02 (0.040)	2.16 (0.085)	0.22	0	0.8 (11.6)	0.8 (11.6)	-	4	SCH284B002	-	-
1.57 (0.062)	3.18 (0.125)	0.28	0	0.8 (11.6)	0.8 (11.6)	-	4	SCH284B003	-	-
1.98 (0.078)	3.18 (0.125)	0.25	0	0.8 (11.6)	0.8 (11.6)	-	4	SCH284B004	-	-
2.7 (0.106)	4.9 (0.193)	0.65	0	0.8 (11.6)	0.8 (11.6)	-	9	SCH284A005	-	-
4.8 (0.189)	7.9 (0.311)	1.1	0	0.8 (11.6)	0.8 (11.6)	-	13	SCH284B006	-	-
6.4 (0.252)	9.5 (0.374)	1.4	0	0.8 (11.6)	0.8 (11.6)	-	13	SCH284B007	-	-
1.6 (0.063)	3.2 (0.126)	0.28	0	1.5 (21.8)	1.5 (21.8)	-	2.8	-	P284A020LCA00V1	P284A020LCA00V3
1.6 (0.063)	3.2 (0.126)	0.28	0	1.5 (21.8)	1.5 (21.8)	-	2.8	-	P284A021LCA00V1 2)	P284A021LCA00V3 2)
2) P284A021LCA00V1/P284A021LCA00V3 = The flange is rotatable with 90° (please see "Pic. 2" on following page)										
2/2 NO - Normally Open										
0.76 (0.030)	1.65 (0.065)	0.18	0	0.8 (11.6)	0.8 (11.6)	-	4	SCH284B009	-	-
1.02 (0.040)	2.16 (0.085)	0.22	0	0.8 (11.6)	0.8 (11.6)	-	4	SCH284B010	-	-
1.57 (0.062)	3.18 (0.125)	0.28	0	0.8 (11.6)	0.8 (11.6)	-	4	SCH284B011	-	-
1.98 (0.078)	3.18 (0.125)	0.25	0	0.8 (11.6)	0.8 (11.6)	-	4	SCH284B012	-	-
2.7 (0.106)	4.9 (0.193)	0.65	0	0.8 (11.6)	0.8 (11.6)	-	9	SCH284A013	-	-
4.8 (0.189)	7.9 (0.311)	1.1	0	0.8 (11.6)	0.8 (11.6)	-	13	SCH284B014	-	-
6.4 (0.252)	9.5 (0.374)	1.4	0	0.8 (11.6)	0.8 (11.6)	-	13	SCH284B015	-	-
1.6 (0.063)	3.2 (0.126)	0.28	0	1.5 (21.8)	1.5 (21.8)	-	2.8	-	P284A022LCA00V1	P284A022LCA00V3
1.6 (0.063)	3.2 (0.126)	0.28	0	1.5 (21.8)	1.5 (21.8)	-	2.8	-	P284A023LCA00V1 2)	P284A023LCA00V3 2)

2) P284A023LCA00V1/P284A023LCA00V3 = The flange is rotatable with 90° (please see "Pic. 2" on following pages)

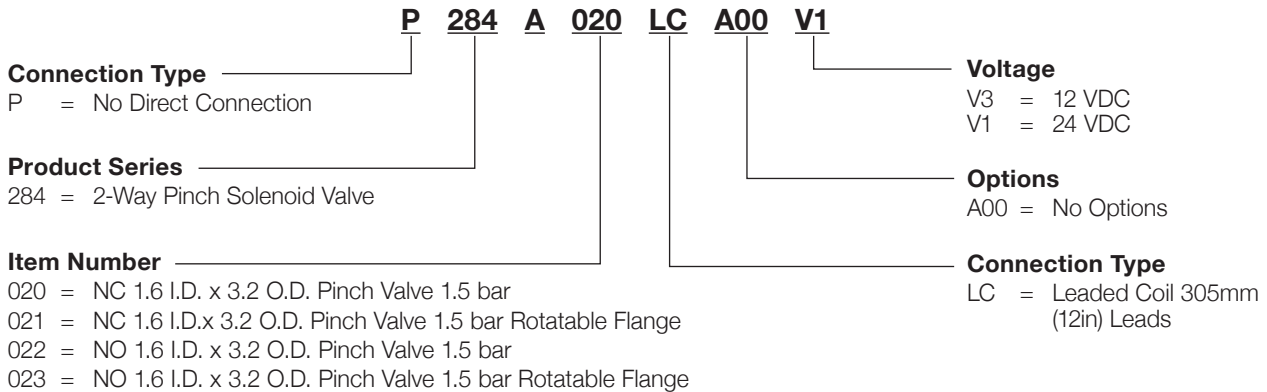
ASCO™ MINIATURE SOLENOID VALVES

PINCH VALVES, COMPACT 2-WAY SOLENOID

How to Order Aluminium body



How to Order POM Body



Options

- Flexible tubes having to use an external guiding device for optimum support (see dimensions):
 - With an outside diameter lower than 2.2mm (0.087in) (catalog numbers **SCH284B001** to **..B004**)
 - With an outside diameter lower than 3.5mm (0.138in) (catalog number **SCH284A005**)
 - With an outside diameter lower than 6mm (0.236in) (catalog numbers **SCH284B006** and **..007**)
- Contact us for information regarding the usage of different tubing other than those recommended
- Plug with visual indication and peak voltage suppression or with cable length of 2m (78.7in)

Installation

- The solenoid valves can be mounted in any position without affecting operation, however, for optimum performance it is recommended that they be fitted with the solenoid operator at the top
- Fixing plate built in between the body and the coil for assembly in a bank on a base plate
- Flexible tubes are not included with valve
- In case the tubing is not placed in its seat, the solenoid valve could operate incorrectly.

01085GB-2019-R01

Dimensions: mm (inches)

Type 01

Prefix "SC" solenoid
IEC 335/DIN 43650
IP65



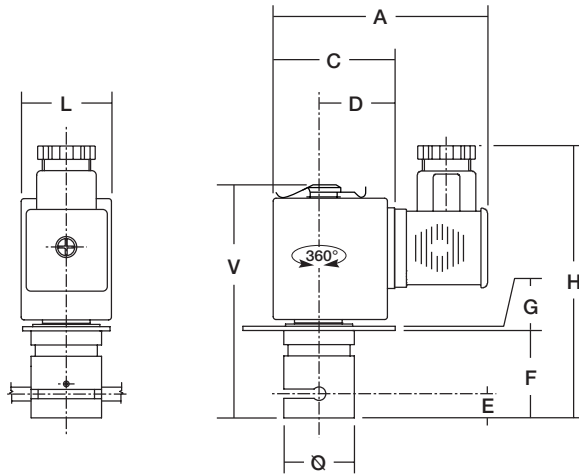
**Type 01: SCH284B001/002/003/004/
009/010/011/012**

Type 02-03

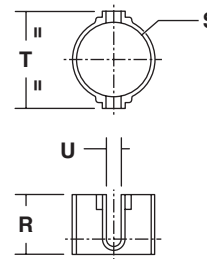
Prefix "SC" solenoid
IEC 335/ISO 4400
IP65



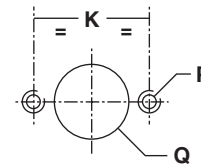
Type 02: SCH284A005/A013
Type 03: SCH284B006/B007/B014/B015



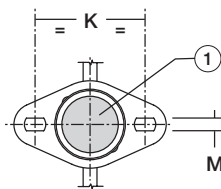
Tube Guiding Device



Arrangement for Mounting

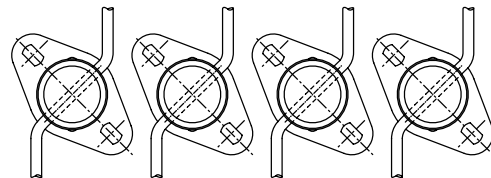


Bottom View



1 Impulse Manual Operator

Example of Banked Assembly



Type	Prefix Option	Catalog Number	Ø	A	C	D	E	F	G	H	K	L	M	P	Q	R	S	T	U	V	Weight ¹ kg	Tube Guiding Device	
																						Catalog Number	Weight ¹ kg
01	SC	SCH284B001/002/003/004/009/010/011/012	16 (0.63)	49.5 (1.95)	23.5 (0.93)	15 (0.60)	11 (0.43)	20 (0.79)	1 (0.04)	66 (2.60)	24 (0.95)	17 (0.67)	3.3 (0.13)	M3	16.5 (0.65)	10.7 (0.42)	16 (0.63)	24 (0.95)	2.2 (0.09)	51.2 (2.02)	0.06	C140094	0.005
02	SC	SCH284A005/A013	25 (0.98)	78 (3.07)	43 (1.69)	27 (1.06)	17.5 (0.69)	32 (1.26)	1.5 (0.06)	99 (3.90)	39 (1.54)	32 (1.26)	4.5 (0.18)	M4	25.5 (1.00)	14 (0.55)	25 (0.98)	33 (1.30)	3.2 (0.13)	82.5 (3.25)	0.28	C140095	0.009
03	SC	SCH284B006/B007/B014/B015	30 (1.18)	84 (3.31)	49 (1.93)	28 (1.10)	24.5 (0.96)	43.5 (1.71)	1.5 (0.06)	99 (3.90)	45.5 (1.80)	42 (1.65)	4.5 (0.18)	M4	30.5 (1.20)	24 (0.94)	30 (1.18)	39 (1.54)	6 (0.24)	99 (3.90)	0.47	C140096	0.015

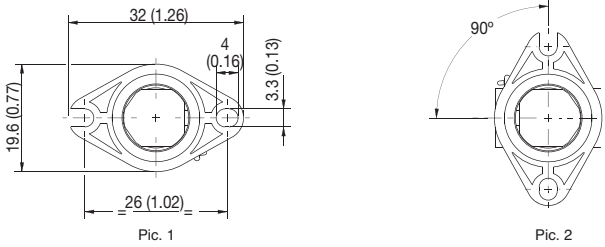
¹ Including coil(s) and connectors

ASCO™ MINIATURE SOLENOID VALVES

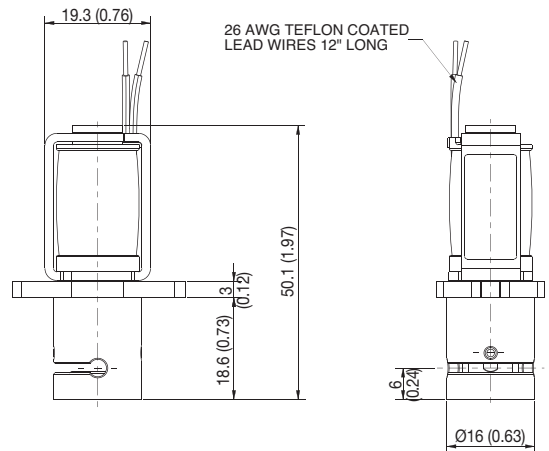
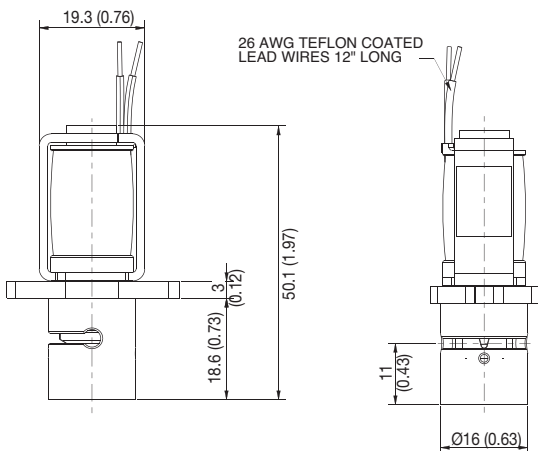
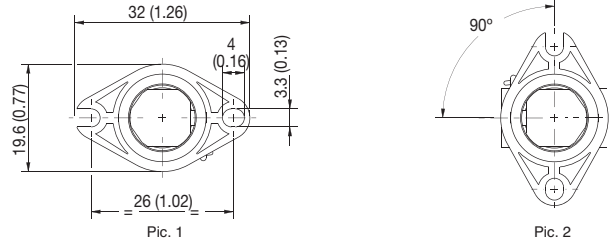
PINCH VALVES, COMPACT 2-WAY SOLENOID

Dimensions: mm (inches)

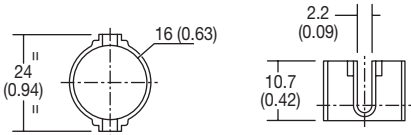
2/2 Normally Closed



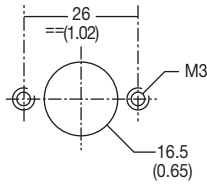
2/2 Normally Open



Tube Guiding Device



Arrangement for Wall-fitting



Catalog Number	Weight
	kg
P284A020LCA00V1/V3	0.04
P284A021LCA00V1/V3	
P284A022LCA00V1/V3	
P284A023LCA00V1/V3	

Tube Guiding Device	
Catalog Number	Weight
	kg
25978-01	0.005

01085GB-2019-R01

