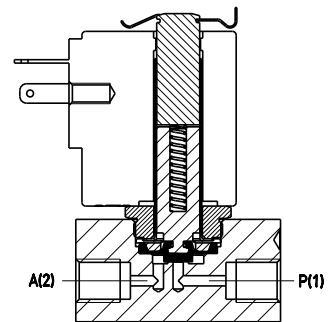
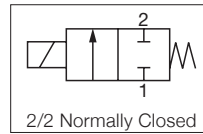


# ASCO™ MINIATURE SOLENOID VALVES

## DIAPHRAGM 2-WAY SOLENOID ISOLATION VALVE

- Series 082 solenoid valves are designed for use with neutral or highly aggressive liquids in analytical and medical systems
- The PVDF body and the separating diaphragm isolates the internal solenoid components from the media resulting in a virtually impervious valve
- Good self-draining capability and low-volume internal cavity to minimize cross-contamination
- Low power consumption results in less heat transfer to thermally sensitive reagents and samples
- Meets all relevant CE directives, and is RoHS compliant
- Typical applications include:
  - Water Analyzers
  - Clinical Diagnostics
  - DNA Sequencing



Fluids*	Temperature Range	Seal Materials*
Liquids or Gases	5°C to 100°C (41°F to 212°F)	FKM, FFKM

\*Ensure that the compatibility of the materials in contact with the fluids is verified

General Valve Information	
Body	PVDF
Diaphragm	FKM, FFKM
Response Time	< 35ms
Internal Volume	70µl
Max Viscosity	37 cSt (mm <sup>2</sup> /s)

Electrical Characteristics	
Coil Insulation Class	F
Connector	DIN Spade Terminal or Lead Wires <sup>1</sup>
Connector Specification	DIN 43650, 9.4mm, industry standard B, Lead wire: 24 AWG FEP coated
Electrical Safety	IEC 335
Electrical Enclosure Protection	IP65 (EN 60529)
Standard Voltages	12 VDC, 24 VDC (-5%/ +10%)

<sup>1</sup> 0.5m (19.7in) lead wires

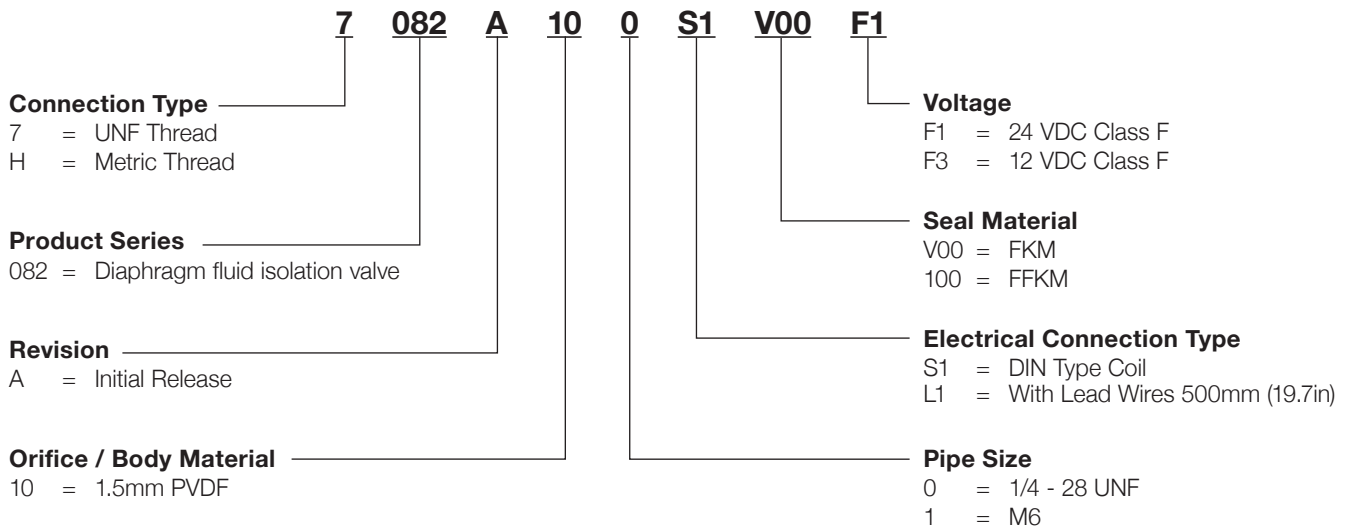
Electrical Connection	Power Ratings				Ambient Temperature Range	Type <sup>2</sup>
	Inrush	Holding		Hot/Cold		
	VA	VA	W	W	°C (°F)	
S1	-	-	-	2.5	FKM: -10 to 60 (14 to 140)	01
L1	-	-	-	2.5	FFKM: 5 to 60 (41 to 140)	02

<sup>2</sup> Refer to the dimensional drawings on following pages

01098GB-2020-R1

Specifications							Catalog Number
Connection	Orifice Size mm (inches)	Flow Coefficient		Operating Pressure bar (psi)		Power Rating (W)	
		Kv (m <sup>3</sup> /h)	Cv	min.	max. gas / liquids		
1/4-28 UNF	1.5 (0.06)	0.03	0.035	0	2.0 (29)	2.5	7082Axx0S1x00Fx
							7082Axx0L1x00Fx
M6	1.5 (0.06)	0.03	0.035	0	2.0 (29)	2.5	H082Axx1S1x00Fx
							H082Axx1L1x00Fx

**How to Order**

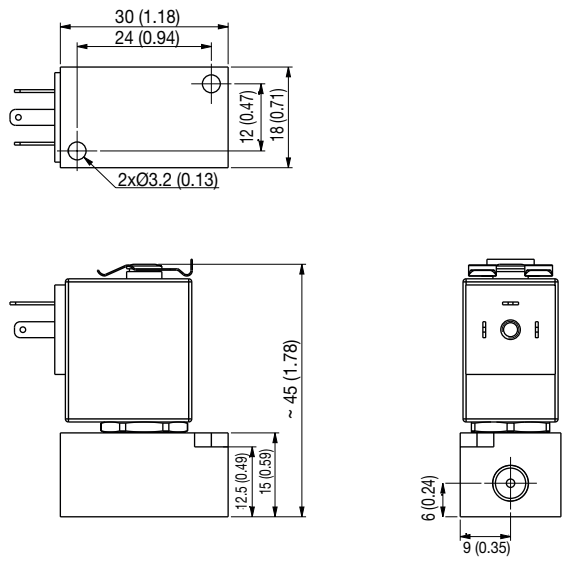


# ASCO™ MINIATURE SOLENOID VALVES

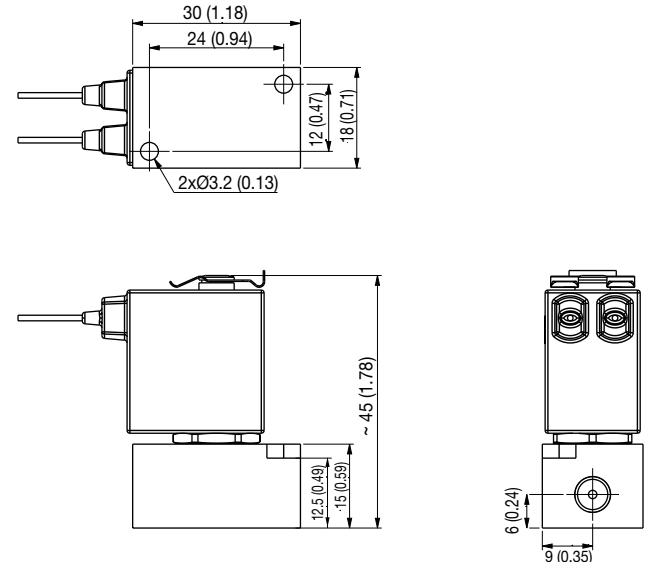
DIAPHRAGM 2-WAY SOLENOID ISOLATION VALVE

**Dimensions: mm (inches)**

**Type 01** Solenoid with spade plug connector (S1) DIN 43650



**Type 02** Solenoid with lead wires (L1) lead wires: 500mm (19.7in) long IP65



**Options**

- Other seal materials available on request
- Other body material available on request

**Installation**

- The solenoid valves can be mounted in any position without affecting operation

01098GB-2020-R1

**SERIES**  
**082**

# ASCO™ MINIATURE SOLENOID VALVES

DIAPHRAGM 2-WAY SOLENOID ISOLATION VALVE

---

01098GB-2020-R1