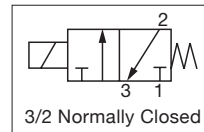


# ASCO™ MINIATURE SOLENOID VALVES

## GENERAL SERVICE VALVES, MINIATURE SOLENOID

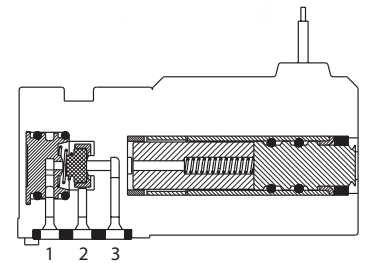
- Series 076 solenoid valves are designed for use with air and inert gases and can also be used to pilot other valves or cylinders.
- Compact architecture and low power consumption of only 0.9 W make them ideal for portable medical devices.
- Option for side-by-side mounting on complex manifold solutions is ideal for control of multiple flow paths in portable or small envelope applications.
- Meets all relevant CE directives, and is RoHS compliant.
- Typical applications include:
  - Respiratory Therapy
  - Patient Simulators
  - Pilot Valves
  - Wide Range of Other General Service Needs



Fluids	Temperature Range	Seal Materials
Air or Inert Gas, non-lubricated	-5 °C to 50 °C (23 °F to 122 °F)	FKM

NOTE: Additional constructions and options are available including alternate elastomers and orifice sizes. Minimum quantities apply.

General Valve Information	
Body	PA / PBT
Others	Acetal, Brass, Nickel, Stainless Steel
Response Time	< 10ms



3/2 NC Pad Mount Body

Electrical Characteristics	
Standard Voltages*	5 VDC, 12 VDC, 24 VDC
Power Consumption	0.9 W

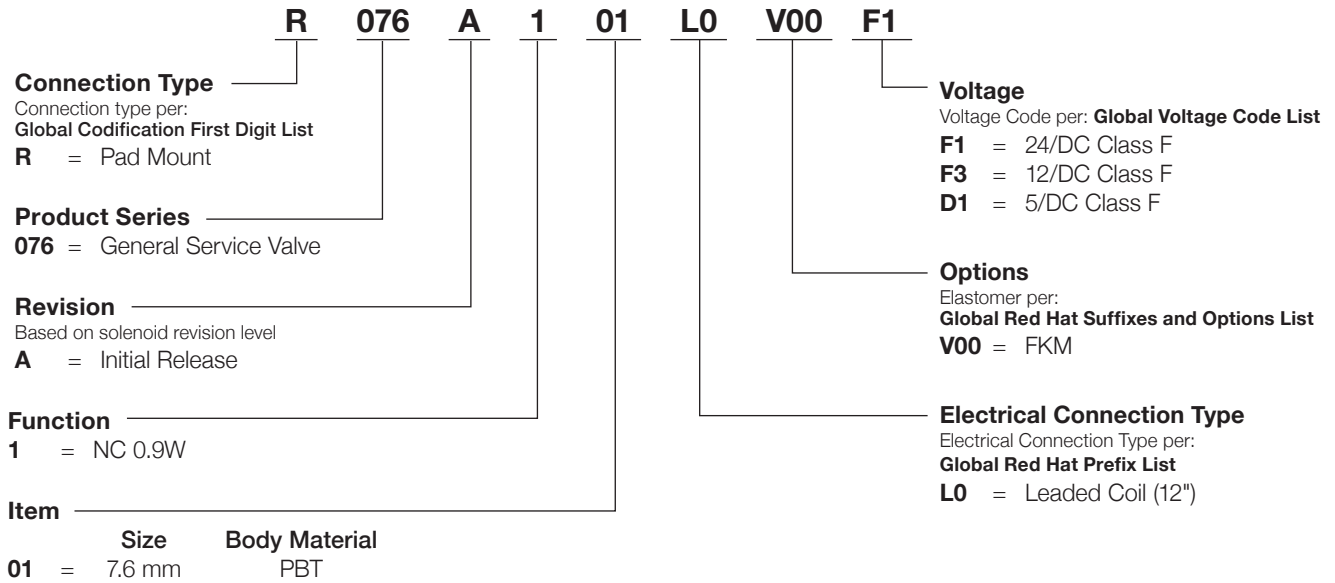
\* Other voltages on request

NOTE: The solenoid valves are designed for continuous operation within the maximum ambient temperature limits.

Insulation Class	Coil Insulation	Protection	Ambient Temperature Range	Electrical Connection
	°C (°F)		VA	
F	155 (311)	IP40	-5 to 50 (23 to 122)	24 AWG Lead wires, 0.3m (12.0in) long, PTFE coated

Specifications										
Orifice Size				Flow Coefficient		Operating Pressure bar (psi)		Power Rating	Voltage	Catalog Number
mm (inches)										
1	2	2	3	Kv (m <sup>3</sup> /h)	Cv	min.	max.	W		
3/2 NC - Normally Closed										
0.7 (0.028)	0.8 (0.032)	0.011	0.009	-0.9 (-13)	6.9 (100)	0.9		24 VDC	R076A101L0V00F1	
								12 VDC	R076A101L0V00F3	
								5 VDC	R076A101L0V00D1	

**How to Order**

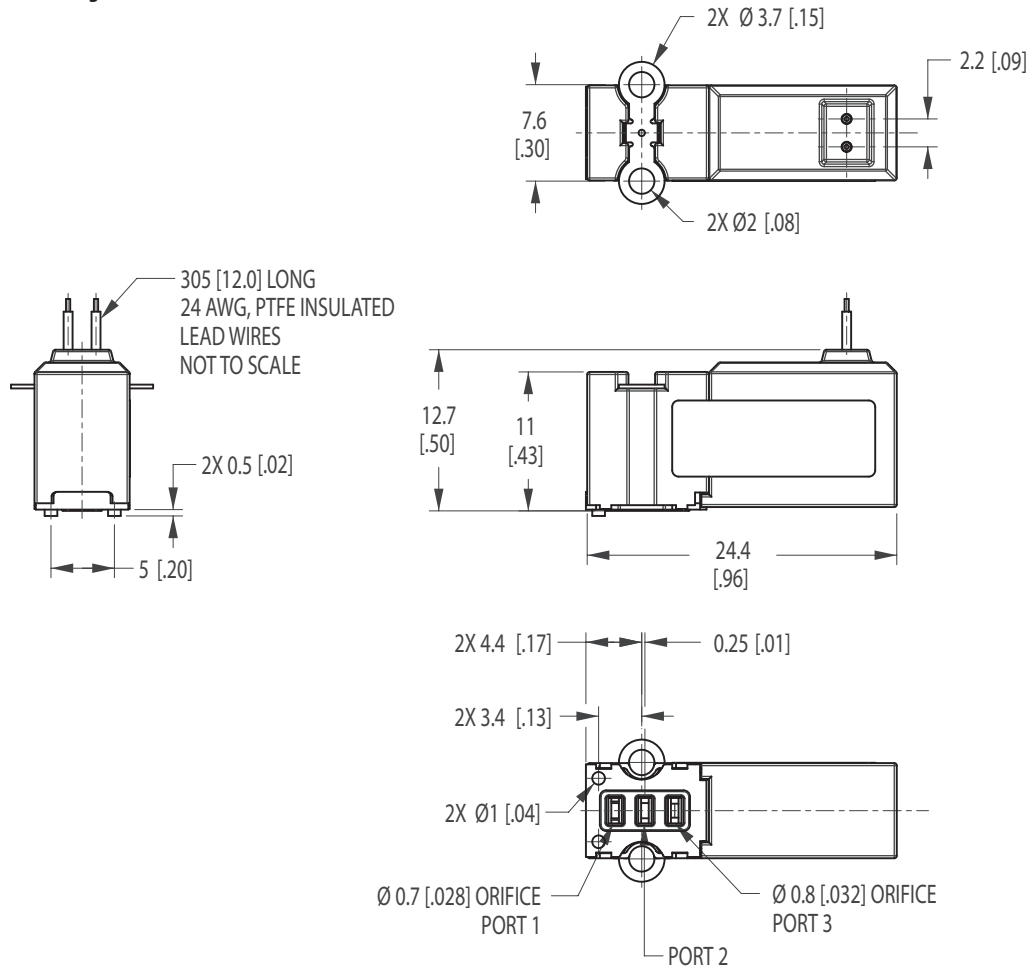


# ASCO™ MINIATURE SOLENOID VALVES

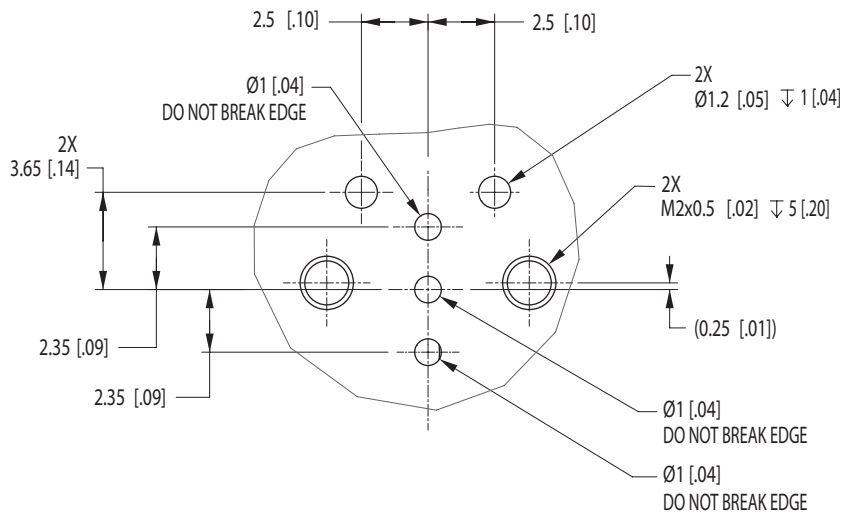
GENERAL SERVICE VALVES, MINIATURE SOLENOID

Dimensions: mm (inches)

## 3-Way Pad Mount Solenoid Valve



## Manifold Interface



01097GB-2019-R02

