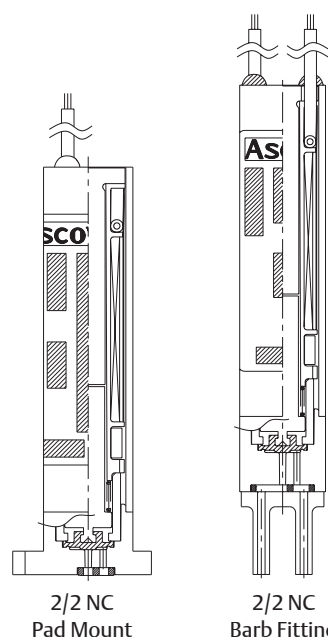
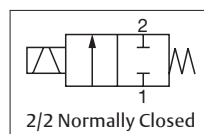
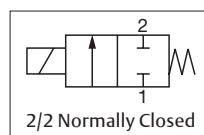


# ASCO™ MINIATURE SOLENOID VALVES

## DIAPHRAGM SOLENOID FLUID ISOLATION VALVES

- Direct acting solenoid valve for use with neutral or aggressive liquids in analytical instruments
- Small profile and low internal volume well suited for dispensing applications and precise flow control
- Low power consumption results in less heat transfer to thermally sensitive reagents and samples
- Low dead volume improves ability to clean between each cycle
- Typical application include:
  - Clinical Diagnostics
  - DNA Sequencing
  - Immunoassay
  - Sample Preparation



General Valve Information	
Body	PPS, PEEK
Seals	FKM, FFKM
Response Time	< 10 ms
Internal Volume	1.2 µl
Dead Volume	0.75 µl
Max Viscosity	20 cSt (mm <sup>2</sup> /s)

Electrical Characteristics	
Coil Insulation Class	B (130°C [266°F])
Connector	Lead Wires (see Electrical Connection)
Connector Specification	32 AWG PVC coated
Standard Voltages*	5 VDC, 12 VDC (±5%)

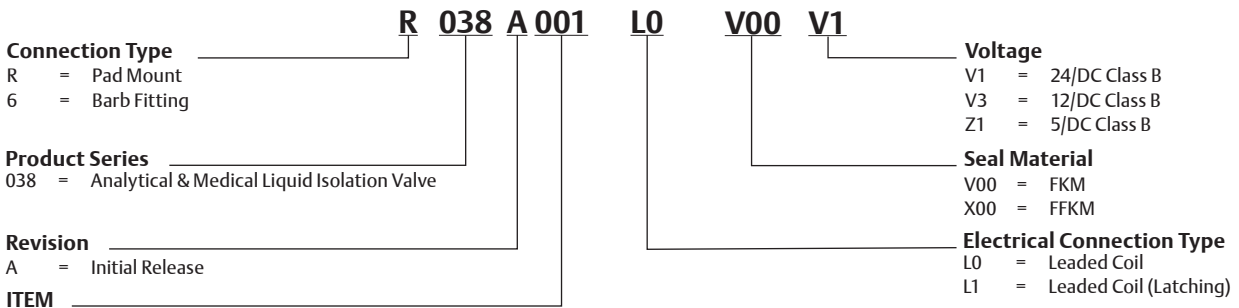
\*Other voltages on request

Electrical Connection	Power Ratings				Ambient Temperature Range C° (F°)	Coil Duty	Lead Color
	Inrush	Holding		Hot/Cold			
	VA	VA	W	W			
Standard Leaded Coil (L0)	-	-	-	1.2	10 to 50 (50 to 122)	Intermittent, ED = 40%	Black
Latching Leaded Coil (L1)	-	-	-	1.2		Intermittent, ED = 20%	Polarity: Red: Positive(+); Black: Negative (-)

01100CB-2021-RO

Specifications							
Connection	Orifice Size	Flow Coefficient		Pressure Differential bar (psi)			
				min.	max.	Power Coil (W)	Catalog Number
	mm (inches)	Kv (m <sup>3</sup> /h)	Cv		gas / liquids		
<b>2/2 NC - Standard Ledged Coil (L0)</b>							
Pad Mount	0.4 (0.016)	0.0017	0.0020	0 bar (0.0 psi)	1.0 bar (14.5 psi)	1.2	R038A00XL0XXXXX
Hose Barb	0.4 (0.016)	0.0017	0.0020	0 bar (0.0 psi)	1.0 bar (14.5 psi)	1.2	6038A01XL0XXXXX
<b>2/2 NC - Latching Ledged Coil (L1)</b>							
Pad Mount	0.4 (0.016)	0.0017	0.0020	0 bar (0.0 psi)	1.0 bar (14.5 psi)	1.2	R03800XL1XXXXX
Hose Barb	0.4 (0.016)	0.0017	0.0020	0 bar (0.0 psi)	1.0 bar (14.5 psi)	1.2	603801XL1XXXXX

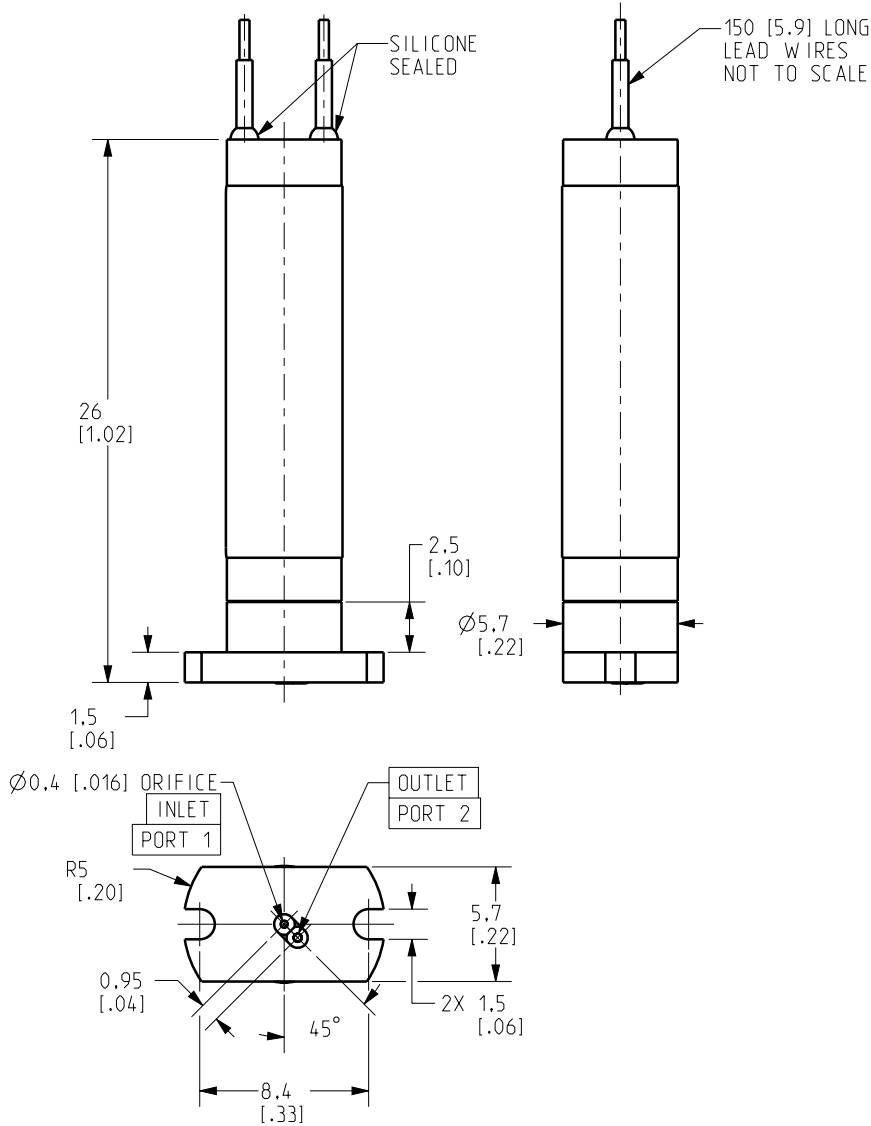
### How to Order



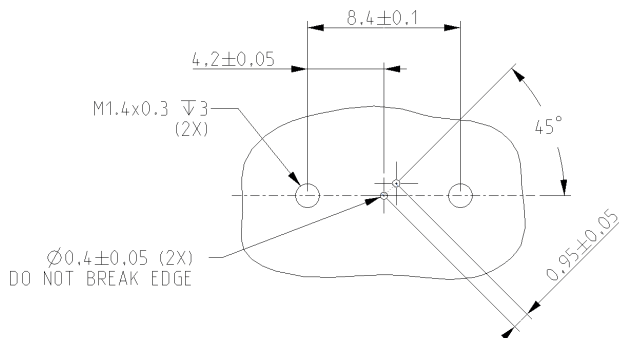
**ASCO™ MINIATURE SOLENOID VALVES**  
DIAPHRAGM SOLENOID FLUID ISOLATION VALVES

**Dimensions: mm (inches)**

**Connection Type R  
Pad Mount**



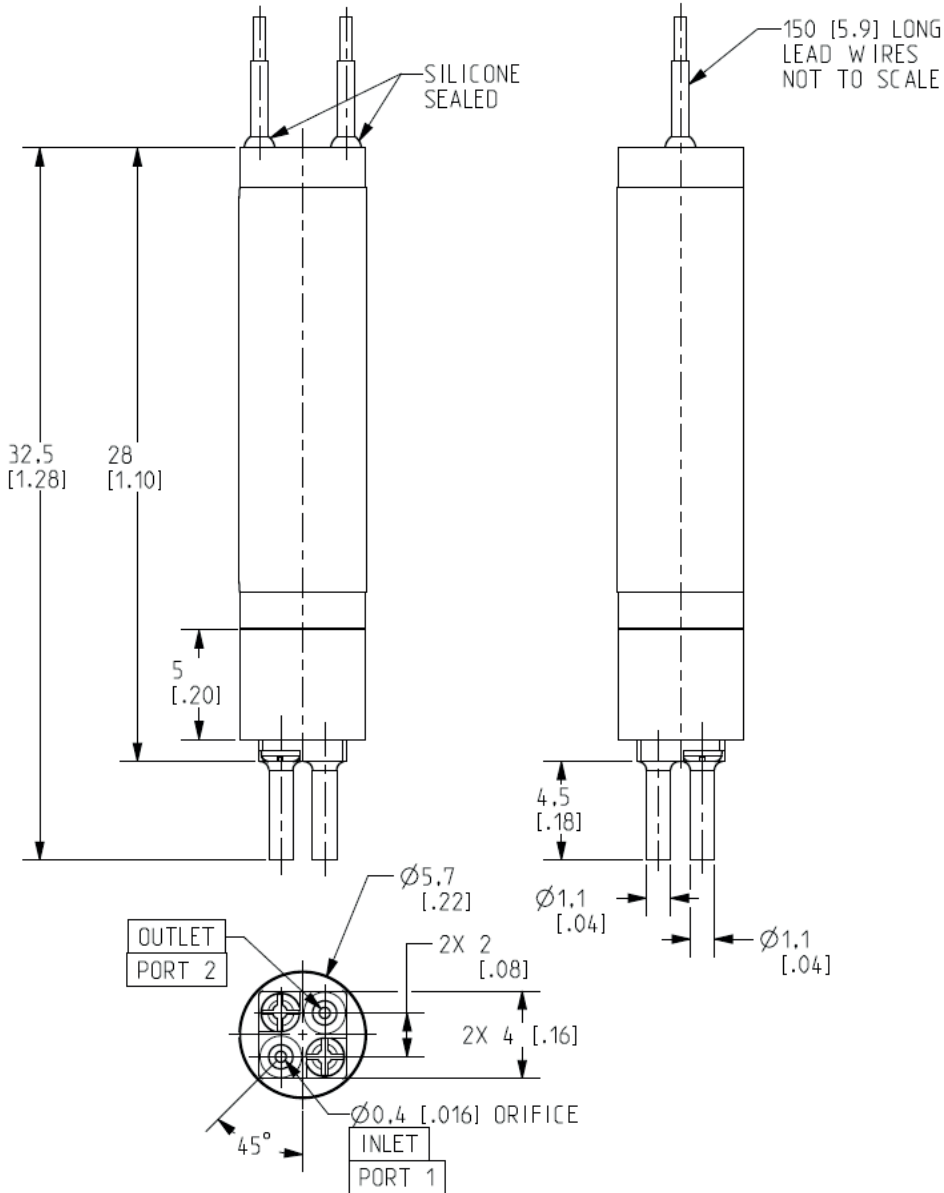
**Mounting Pattern for Pad Mount Solenoid Valve**



01100GB-2021-R0

Dimensions: mm (inches)

**Connection Type 6  
Hose Barb**



01100GB-2021-R0