

Features

- Free handle will not open valve until solenoid is energized
- Valve trips closed instantly when solenoid is de-energized
- Highly visible position indicator
- Aluminum body construction

Fluid

Fuel Gas

Construction

Valve Parts in Contact with Fluids	
Body	Aluminum
Seals and Disc	NBR
Core Tube	305 Stainless Steel
Core and Plugnut	430F Stainless Steel
Springs	302 Stainless Steel
Shading Coil	Copper
Pipe Plug	Zinc-Plated Steel

Electrical

Standard Coil and Class of Insulation	Watt Rating and Power Consumption			Ambient Temp. °F	Spare Coil Family	
	AC				General Purpose	Explosionproof
	Watts	VA Holding	VA Inrush		AC	AC
F	20	43	96	-20 to 125	99257	99257

Standard Voltages: 24, 120, 240 volts AC, 60 Hz (or 110, 220 volts AC, 50 Hz).

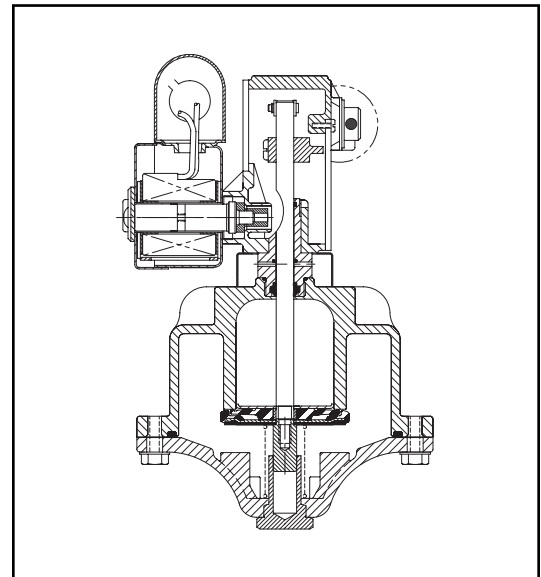
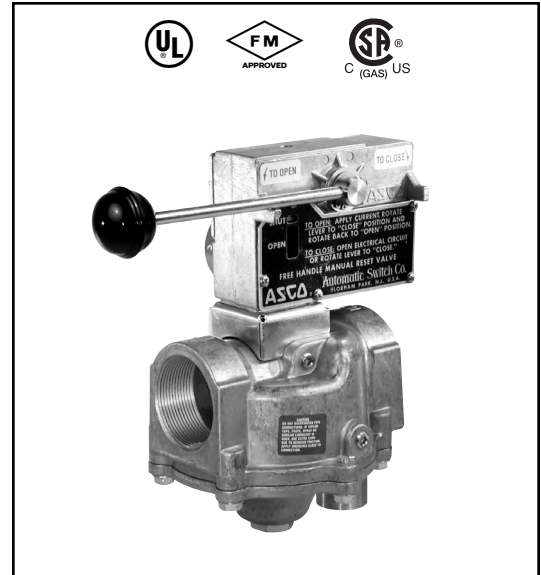
Solenoid Enclosures

Standard: RedHat metal Type 1 General Purpose enclosures with 7/8" conduit hole for 1/2" conduit connection.

Valve Response Time

Opening Time: Less than 1 second

Closing Time: Less than 1 second



Approvals

UL listed to standard 429 "Electrically Operated Valves," Guide Y10Z, File MP618 Safety Valves.
FM Approved to Class 7400 "Liquid and Gas Safety Shutoff Valves."

CSA Certified to:

- 1) Standard C22.2 No. 139 "Electrically Operated Valves", File 010381.
- 2) Automatic Gas Safety Shutoff Valves C/I (3.9), File 112872.

Specifications (English units)

Pipe Size (ins.)	Orifice Size (ins.)	Cv Flow Factor	Gas Capacity ① Btu/hr.	Operating Pressure Differential (psi)		Max. Fluid Temp. °F	Catalog Number	Const. Ref.	Agency			Wattage	Approx. Shipping Weight (lbs)
				Min.	Max.				UL	FM	CSA		
COMBUSTION (Fuel Gas) - Normally Closed													
3/4	1 5/8	13	717,000	0	25	125	8044B001	1	○	○	○	20	8.3
1	1 5/8	22	1,170,000	0	25	125	8044A002	2	○	○	○	20	8.3
1 1/4	1 5/8	30	1,580,000	0	25	125	8044A003	2	○	○	○	20	8.3
1 1/2	1 5/8	33	1,760,000	0	25	125	8044A004	3	○	○	○	20	8.3
2	2 3/32	55	2,960,000	0	20	125	8044A005	4	○	○	○	20	10.3
2 1/2	3	108	5,810,000	0	10	125	8044A006	5	○	○	○	20	17
3	3	135	7,260,000	0	10	125	8044A007	5	○	○	○	20	18

○ = Safety Shutoff Valve. ① 1" W.C. Drop @ 2" W.C. Inlet Pressure, 1,000 Btu/cu.ft. or more, 0.64 Specific Gravity Gas.

Specifications (Metric units)

Pipe Size (ins.)	Orifice Size (mm)	Kv Flow (m³/hr)	Gas Capacity ① Btu/hr.	Operating Pressure Differential (bar)		Max. Fluid Temp. °C	Catalog Number	Const. Ref.	Agency			Wattage	Approx. Shipping Weight (kgs)
				Min.	Max.				UL	FM	CSA		
COMBUSTION (Fuel Gas) - Normally Closed													
3/4	41	11.1	717,000	0	1.7	52	8044B001	1	○	○	○	20	3.8
1	41	18.7	1,170,000	0	1.7	52	8044A002	2	○	○	○	20	3.8
1 1/4	41	25.5	1,580,000	0	1.7	52	8044A003	2	○	○	○	20	3.8
1 1/2	41	28.1	1,760,000	0	1.7	52	8044A004	3	○	○	○	20	3.8
2	53	46.8	2,960,000	0	1.4	52	8044A005	4	○	○	○	20	4.7
2 1/2	76	91.8	5,810,000	0	0.7	52	8044A006	5	○	○	○	20	7.7
3	76	114.8	7,260,000	0	0.7	52	8044A007	5	○	○	○	20	8.2

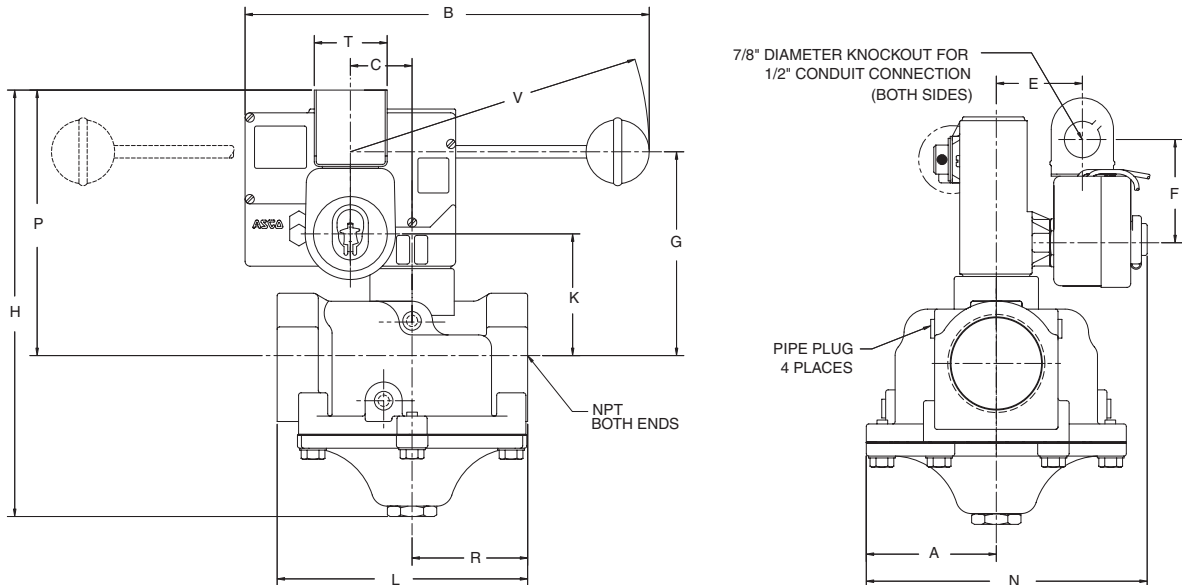
○ = Safety Shutoff Valve. ① 1" W.C. Drop @ 2" W.C. Inlet Pressure, 1,000 Btu/cu.ft. or more, 0.64 Specific Gravity Gas.

Dimensions inches (mm)

Const. Ref.	1		2		3		4		5	
	ins.	mm	ins.	mm	ins.	mm	ins.	mm	ins.	mm
A	2.28	58	2.69	68	2.69	68	3.16	80	4.12	105
B	9.88	251	9.88	251	9.88	251	9.88	251	9.88	251
C	1.50	38	1.50	38	1.50	38	1.50	38	1.50	38
E	2.16	55	2.16	55	2.16	55	2.16	55	2.16	55
F	2.50	64	2.50	64	2.50	64	2.50	64	2.50	64
G	4.22	107	4.66	118	4.59	117	4.84	123	5.69	145
H	8.94	227	9.62	244	9.62	244	10.25	260	12.44	316
K	2.22	56	2.66	68	2.59	66	2.84	72	3.69	94
L	4.50	114	5.00	127	5.00	127	6.09	155	7.81	198
N	5.91	150	6.31	160	6.31	160	6.78	172	7.75	197
P	5.75	146	6.19	157	6.12	155	6.37	162	7.22	183
R	2.25	57	2.37	60	2.37	60	2.81	71	3.91	99
T	1.81	46	1.81	46	1.81	46	1.81	46	1.81	46
Radius	5.31	135	5.31	135	5.31	135	5.31	135	5.31	135

Standard Rebuild Kit	
8044B001	304093
8044A002	304093
8044A003	304093
8044A004	304093
8044A005	304094
8044A006	304095
8044A007	304095

Const. Ref. 1 - 5



Must be mounted with operator vertical and upright.

