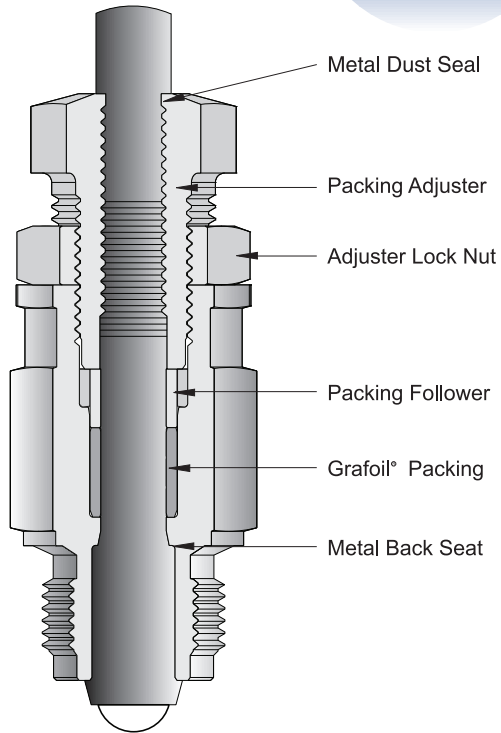


Low-Torque™ Grafoil® Bonnet and Packing Design

ORIFICE

.187" .375"

TORQUE
REDUCED
50%



Grafoil® Stem Seal Torque Reduced 50%

PGI answered customer requests for a lower stem handle turning torque by introducing our new Low-Torque™ Grafoil® bonnet and packing design. It is the nature of Grafoil® packing that it is easily abraded away by the rotation of the valve stem. This abrading requires periodic packing compression adjustment to stop stem seal leaks. We developed a proprietary assembly technique to lower stem torque by 50% which increases ease of operations, and therefore reduces stem abrasion and stem damage from over-torquing. The Low-Torque™ Grafoil® packed stem seal reduces packing adjustments and the associated maintenance costs, while extending the service life of the Grafoil® packing.