

Fulflo® EH Single-Cartridge Filter Vessel

304 stainless steel, commercial
(non ASME code) design

The Fulflo EH non-code single cartridge filter vessels provide economical filtration of a wide variety of liquids in a lightweight, small profile, clamp closure design.

The EH vessels accept a single 10" or 20" long, double open end (DOE) or 222 single open end (SOE) filter cartridge.

These vessels are manufactured from polished 304 stainless steel and rated for 100 psi (6.9 bar).



Contact Information

Parker Hannifin Corporation
domnick hunter
Process Filtration - North America
2340 Eastman Avenue
Oxnard, California, USA 93030

toll free +1 877 784 2234
phone +1 805 604 3400
fax +1 805 604 3401
dhpsales.na@parker.com

www.parker.com/processfiltration

Benefits

- Convertible design allows for the use of both DOE and SOE cartridges
- Clamped o-ring closure seal provides quick and positive seal
- In-line 1" FNPT threaded pipe connections for easy installation
- Head mounting kit included
- EPDM seals are standard with other material options available

Applications

- Potable Water
- Lubricants
- Process Water
- Coolants
- Edible Oils
- Cutting oils
- Coatings
- Solvents

Fulflo® EH Single-Cartridge Filter Vessel

Number of Cartridges

(1) x 10" or 20" lg x 2.75" Max OD

Connection sizes

1" NPT inlet & outlet

¼" NPT vent & drain

Typical aqueous flow	
Length Code	Capacity (gpm)
S	5
D	10

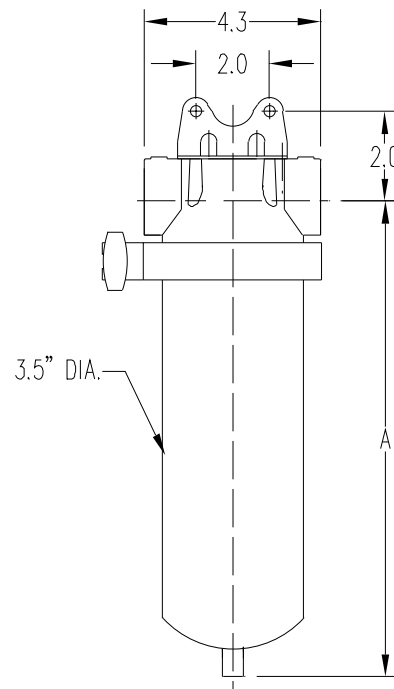
Cartridge Configurations	
222 O-ring SOE	PP spring closed end
	Fin
	Flat*
DOE	Standard

*Not recommended

O-ring Temperature Guide	
Material	Max. Temp.
Nitrile (Buna-N)	250°F (121°C)
EPDM (EPR)*	300°F (149°C)
FKM (Viton®)	400°F (204°C)

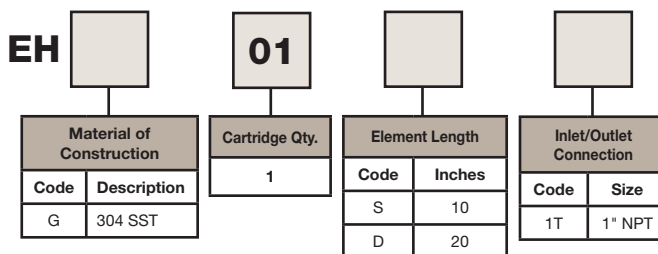
*EPDM o-ring is standard.

Material of Construction	Max. Allowable Pressure (MAP) (psi @ MAT °F)	Max. Allowable Temp. (MAT) (°F @ MAP psi)
304 Stainless	100 psi (6.9 bar)	300°F (149°C)



Length Code	A
S	14
D	24

Ordering Information



Specifications are subject to change without notification.
For User Responsibility Statement, see www.parker.com/safety

© 2014 Parker Hannifin Corporation
domnick hunter Process Filtration - North America
All Rights Reserved
Fulflo is a registered trademark of Parker-Hannifin Corporation
Viton is a registered trademark of E.I. DuPont de Nemours & Co., Inc.