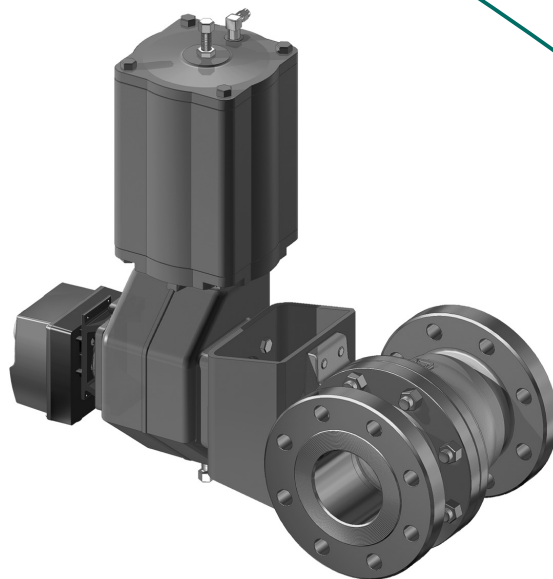


NELES® FLANGED FULL BORE MBV BALL VALVE, SERIES M2 FOR ASME RATINGS

Metso's Neles modular ball valve series M2, offers optimized performance of pulp and paper applications. Series M, incorporates Metso's leading pulp and paper application know-how in valve technology. Several decade experience of Metso has fine tuned this product to deliver P&P customers easy product selection with industry leading performance. Valve series includes seat supported and trunnion mounted ball valve designs covering seat types, size ranges and material options offering comprehensive coverage for most pulp and paper applications needs. Valve delivers excellent tightness for shutoff as well as delivering good control performance for pulp and paper applications. Optimized modularity can be used as an advantage to cut down costs via reduced spare part inventory and product suitability for wide scope of process applications.



Applications

- Pulp & paper
- Digesters and fiberlines
- Liquor service
- Chemical recovery
- Sludge treatment
- TMP-plants
- Deinking and recycling plants
- Steam
- Paper mill applications

DESIGN FEATURES

Size range

- 1" ... 16".

Pressure classes

- ASME 150 and 300.

Tightness

- Separate ball and shaft assure good tightness, even with metal seats and low shut-off pressures.
- Bubble tight shut-off with soft seats.

Versions, details

- V-ring gland packing ensures long maintenance-free operation.
- Spiral wound body joint gasket for leak free operation.
- Live loaded packing as standard option for trunnion mounted valves.
- Q-trim option for reduced noise and cavitation.
- Scraping seat as standard, can be locked.
- Splined ball/shaft connection for good torque transmission.
- Trunnion design in 10" - 16".
- ATEX

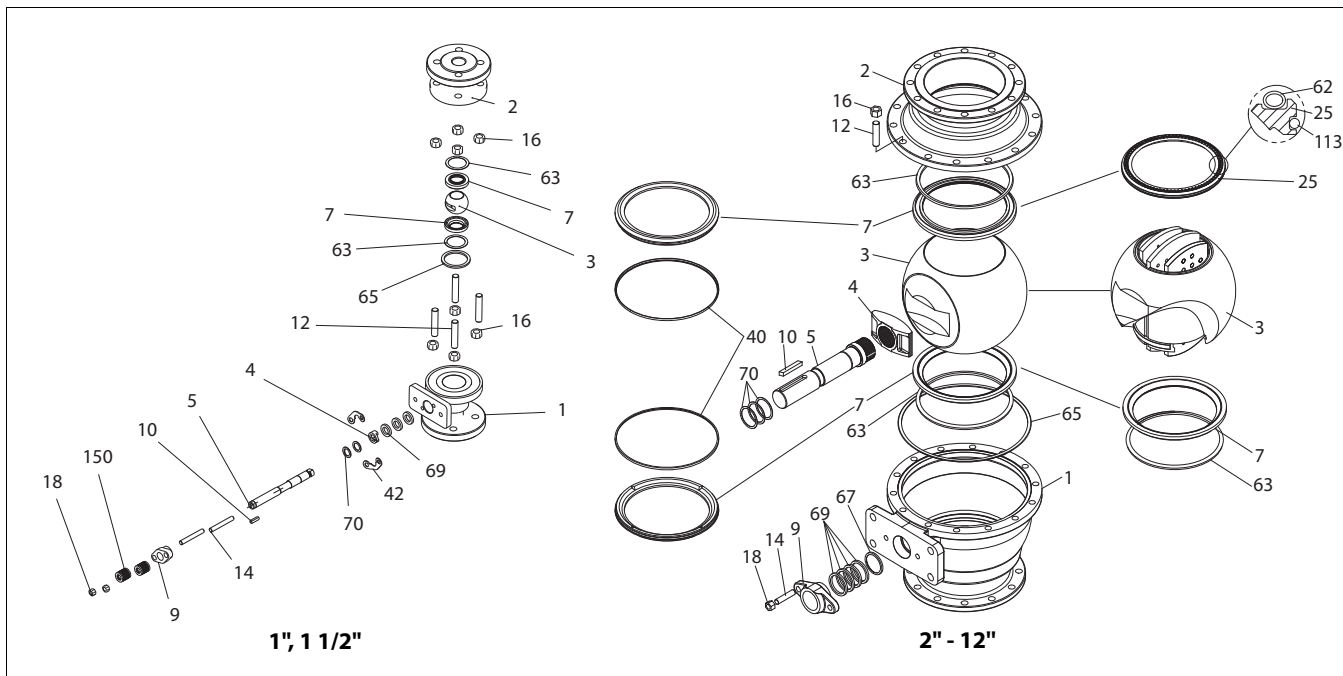
Full bore

- High C_v per nominal size.
- Straight ball opening offers low flow resistance.
- True full bore ball (cylindrical flow path).

Minimized emissions

- Uninterrupted circular spiral wound body gasket.
- No bending forces to gland packing.
- Live loaded gland packing available for seat supported valves.

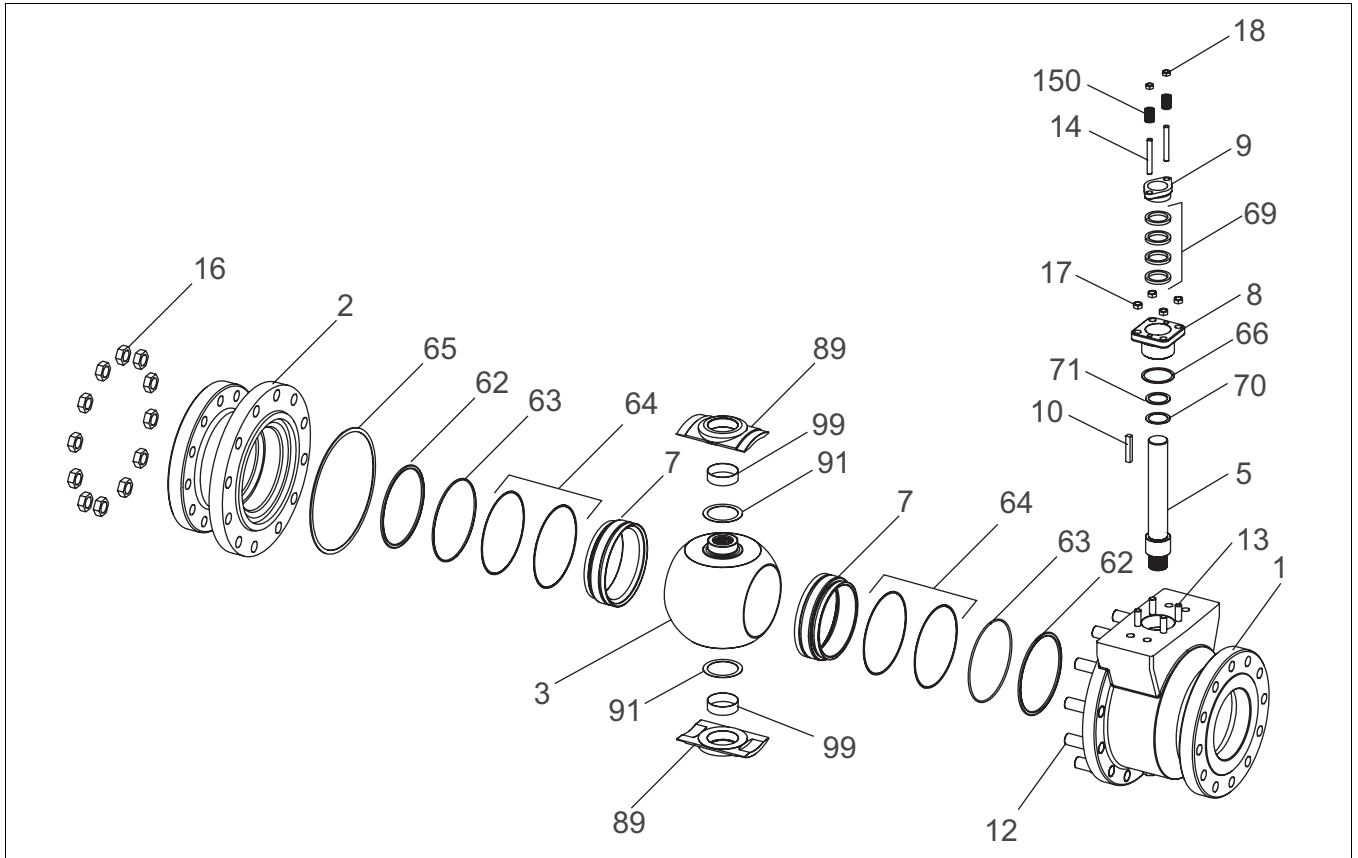
EXPLODED VIEW, SEAT SUPPORTED VALVES



PARTS LIST

Item	Part description	Material		
1	Body	Stainless steel CF8M / CG8M		
2	Body cap	Stainless steel CF8M / CG8M		
3	Ball / Q-Trim ball	Stainless steel AISI 316/CF8M / CG8M		
4	Spline driver 2" - 12" Thrust ring 1" - 1 1/2"	Stainless steel CF8M AISI 316		
5	Stem	Stainless steel AISI 329		
7	Seat	Stainless steel + cobalt based alloy	PTFE	Xtreme®
9	Gland	Stainless steel CF8M		
10	Key	Stainless steel AISI 329		
12	Stud	Stainless steel ASTM A 193 gr. B8M		
14	Stud	Stainless steel ASTM A 193 gr. B8M		
16	Hexagon nut	Stainless steel ASTM A 194 gr. 8M		
18	Hexagon nut	Stainless steel ASTM A 194 gr. 8M		
25	Seat (E)	Stainless steel + cobalt based alloy		
40	Locking ring 10" - 12"	Stainless steel AISI 316		
42	Retainer plate	Stainless steel AISI 316		
50	Cylindrical pin	Stainless steel AISI 316		
62	Spring	UNS N06625		
63	Back seal	PTFE		
65	Body gasket	Stainless steel AISI 316 + PTFE filled spiral wound		
67	Thrust ring	Stainless steel AISI 316		
69	Packing	PTFE or graphite		
70	Thrust bearing	PTFE		
113	Back seal	FPM (O-ring) as standard, PTFE + polyester (lip seal) optional		
150	Disc spring set	Electroless nickel plated spring steel (EN 10083 - 1.8159)		

EXPLODED VIEW, TRUNNION MOUNTED VALVES



PARTS LIST

Item	Part description	Material		
1	Body	Stainless steel CF8M / CG8M		
2	Body cap	Stainless steel CF8M / CG8M		
3	Ball	Stainless steel AISI 316/CF8M / CG8M		
5	Shaft	Stainless steel XM-19 / AISI 329		
7	Seat	Stainless steel + cobalt based alloy	PTFE	Xtreme®
8	Bonnet	Stainless steel CF8M		
9	Gland	Stainless steel CF8M		
10	Key	Stainless steel AISI 329		
12	Stud	Stainless steel ASTM A 193 B8M		
13	Stud	Stainless steel ASTM A 193 B8M		
14	Stud	Stainless steel ASTM A 193 B8M		
16	Hexagon nut	Stainless steel ASTM A 194 8M		
17	Hexagon nut	Stainless steel ASTM A 194 8M		
18	Hexagon nut	Stainless steel ASTM A 194 8M		
62	Seat spring	Alloy 625		
63	Back seal	O-ring (FKM)		
64	Back-up ring	PTFE		
65	Body gasket	Stainless steel AISI 316 + PTFE filled spiral wound		
66	Bonnet gasket	PTFE		
69	Packing ring	PTFE		
70	Thrust bearing	Cobalt based alloy		
71	Thrust bearing	Cobalt based alloy		
89	Trunnion plate	Stainless steel, ASTM A 351 gr. CF8M		
91	Bearing spacer	Cobalt based alloy		
99	Trunnion bearing	PTFE + Stainless steel		
150	Disc spring set	Electroless nickel plated spring steel (EN 10083-1.8159)		

TECHNICAL SPECIFICATION

Product type

Flanged full bore, ball valve.
Split body design
Seat supported design 1"-12".
Trunnion design 10" - 16".

Pressure ratings

ASME 150 & 300.

Size range

1" - 16".

Temperature range

-50 ... +260 °C. Depending on the seat material.
-60 ... +480 °F.

Design standards

Valve body ASME B16.34
Valve flanges ASME B16.5
Face-to-face 1" - 6" ASME 150 / 300 and
8" - 12" ASME 150: ASME B16.10 long
8" - 12" ASME 300: ASME B16.10 short
Trunnion 10" - 16": ASME B16.10 long

Standard materials

Body CF8M.
Ball CF8M + hard chrome.
Bearings PTFE + graphite.
Seats Stainless steel + cobalt based alloy, Xtreme
Optional PTFE or filled PTFE.
Seals/gaskets PTFE, graphite, FPM.
Body gasket Spiral wound with PTFE or graphite filler.
Gland packing PTFE (V-rings), graphite.
Bolting ASTM A 193 gr. B8M.

Certification

EN 10204 - 3.1 material certificates for body and body cap / bonnet.

Standard options

Degreasing.
Anti-static. (ATEX)
Q-Trim.
Live loaded construction for trunnion mounted valves.

Valve testing

Each valve is tested for body integrity and seat tightness. The body test pressure is 1.5 x PN. The standard seat test pressure for metal seated valves is 1.0 x PN or 7 bar / 100 psi. The seat test pressure for soft seats is 6 bar / 90 psi. The test medium is inhibited water. Air test upon request.

Valve tightness

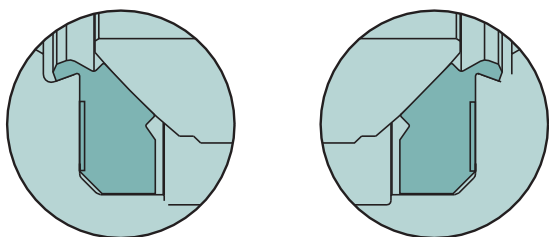
ASME / FCI 70-2 class V for metal seats as standard. Soft seated seat supported valves are bubble tight. Other tightness rates upon request.

C_v (K_v) -values and resistance coefficients

Valve size NPS	M2			M2 with Q-Trim	
	C _v 90°	K _v 90°	ξ 90°	C _v 90°	K _v 90°
1"	105	91	0.05	-	-
1 1/2"	250	220	0.07	-	-
2"	490	425	0.06	84	73
3"	1160	1000	0.05	245	210
4"	2200	1900	0.05	530	460
6"	5100	4400	0.04	1360	1180
8"	9300	8000	0.04	2330	2020
10"	15200	13200	0.04	3920	3400
12"	22400	19400	0.03	5600	4850
14"	30500	26400	0.03	6860	5930
16"	39800	34500	0.03	9190	7950

STANDARD SEAT OPTIONS

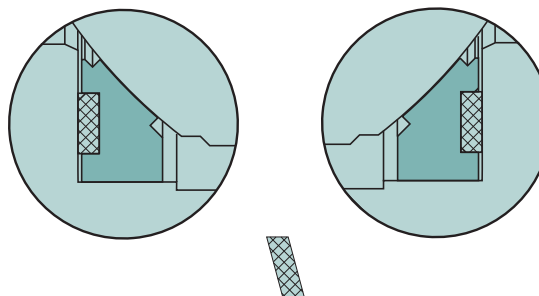
Locked scraping seat P



Non-compressed form of the PTFE back seal.

Materials:
Seats Stainless steel + cobalt based alloy
Seals PTFE
Temperature range -50 ... +260 °C
-60 ... +480 °F
Size range 1" - 12"

General scraping seat S

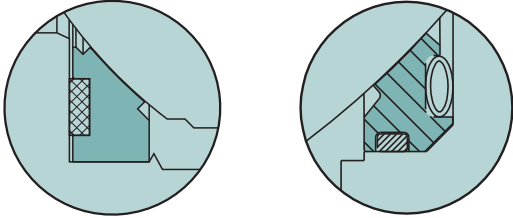


Non-compressed form of the PTFE back seal.

Materials:
Seats Stainless steel + cobalt based alloy
Seals PTFE
Temperature range -50 ... +230 °C
-60 ... +445 °F
Size range 1" - 12"

STANDARD SEAT OPTIONS

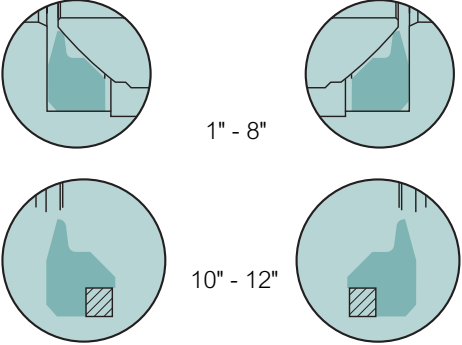
Scraping seat E for low Δp-applications



PREFERRED
TIGHTNESS DIRECTION

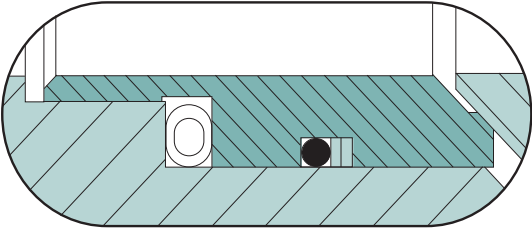
Material:	
Seats	Stainless steel + cobalt based alloy
Locked seals	PTFE
Spring assisted seals	FPM
Springs	UNS N06625
Temperature range	-30 ... +200 °C
	-22 ... +390 °F
Maximum Δp	16 bar / 230 psi.
Size range	1" - 12"

Soft seat M, for general use



Temperature ranges:	
Xtreme (X)	-50 ... +260 °C/ -60 ... +500 °F, 1" - 8"
PTFE (T)	-50 ... +200 °C/ -60 ... +390 °F, 10" - 12"
Reinforced with carbon (M)	-50 ... +250 °C/ -60 ... +480 °F, 10" - 12"

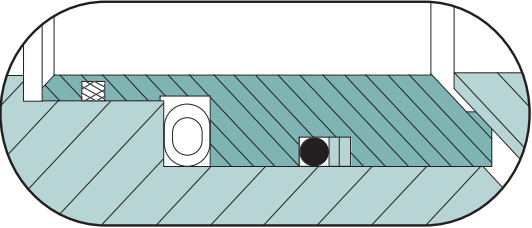
S seat for trunnion mounted valves



Metal seat

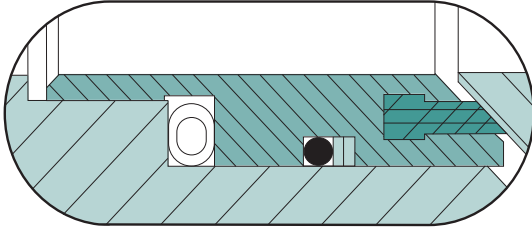
Materials:	
Ball seats	SS steel + cobalt based alloy
Seat seals	Viton GF O-ring
Spring:	INCONEL 625
Temperature range	-30 ... +200 °C
	-22 ... +390 °F

P seat for trunnion valves



Ball seat:	SS steel + Cobalt based alloy
Seat seal:	FFKM O-ring, braided PTFE.
Spring:	INCONEL 625.
Temp. range:	-10 ... +225 °C

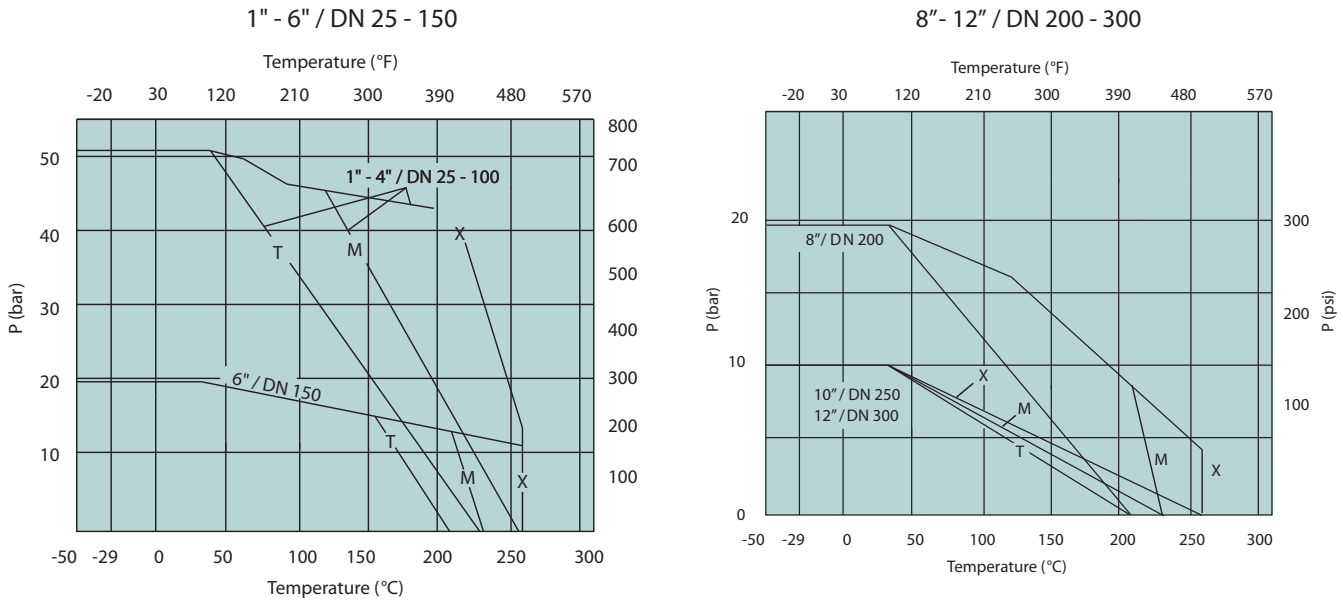
T soft seat



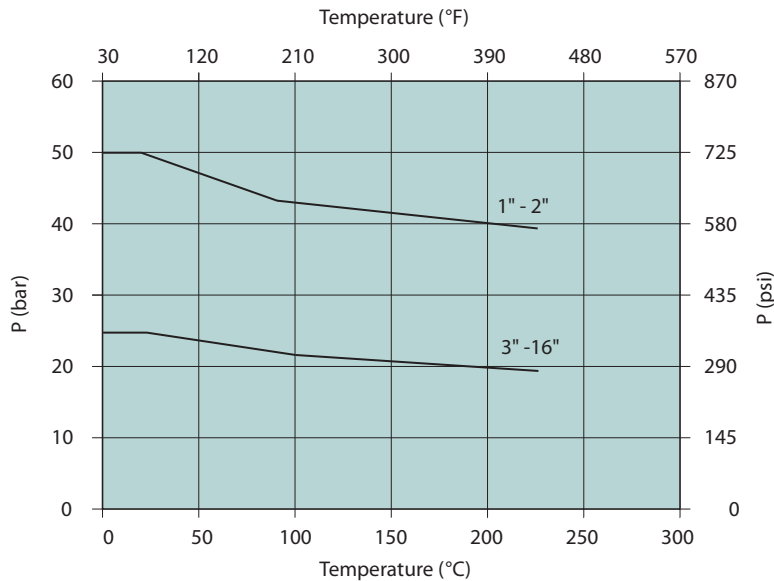
Ball seat:	PTFE.
Seat body:	Stainless steel.
Seat seal:	Viton GF O-ring.
Spring:	INCONEL 625.
Temp. range:	-30 ... +200 °C

VALVE SEAT RATINGS

Seat supported valves, maximum operating pressure for soft seats



Maximum operating pressure for metal seats



ACTUATOR SELECTION

Soft seat ratings are based on differential pressure with the valve ball in the fully closed position and refers only the seats.

M2-valve can be equipped with the following Metso actuator types:

B1C/B1J Pneumatic double acting or spring return actuator. Actuators available for size range 1" - 16".

M M-series manual gear operator for valve sizes 1" - 16".

LK Hand lever for valve sizes 1" - 4".

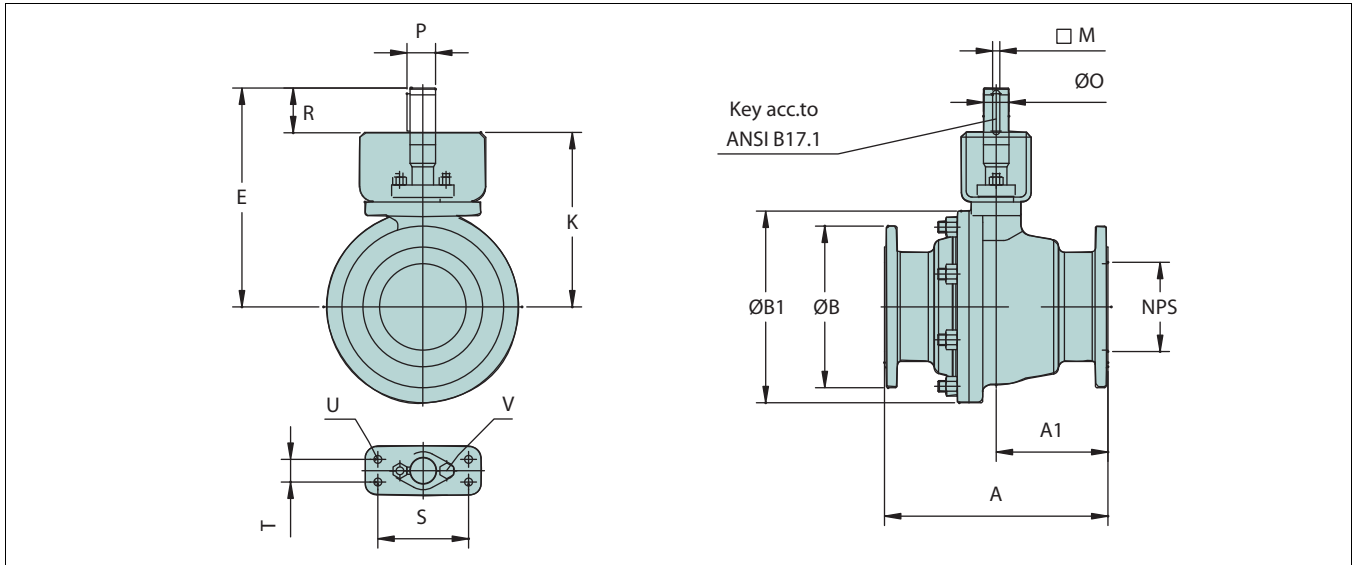
When selecting other than Metso actuators please contact your local Metso representative.

For the correct actuator selection you need to know the following process data:

- valve size and seat type
- supply pressure for the actuator
- maximum operating differential pressure over the valve in closed position

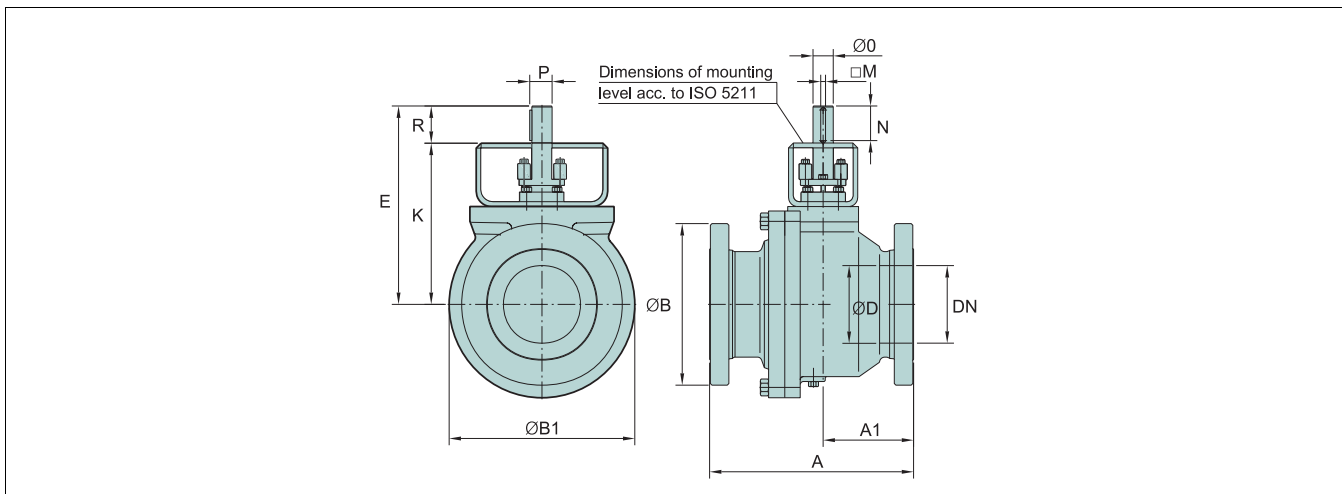
For pneumatic actuator selection use Metso Nelprof(R) Control and On-Off sizing and selection software. You can get a copy from your local sales office.

DIMENSIONS



SEAT SUPPORTED VALVES

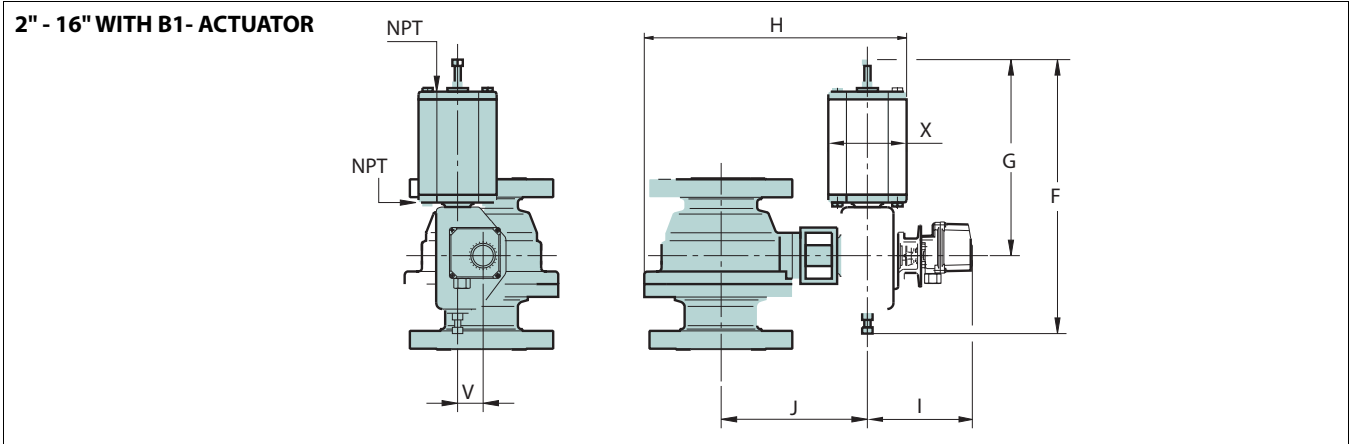
TYPE Class	NPS	DIMENSIONS (mm)														WEIGHT (kg)	
		A	A1	ØB	ØB1	E	K	M	O	P	R	S	T	U	V	M2	Q-M2
M2C Class 150	1	165	74	124	110	178	150	4.76	Ø 15	17	28	70	-	M10	M8	5	-
	1 1/2	165	70	155	145	206	168	4.76	Ø 20	22	38	70	-	M10	M8	8	-
	2	178	79.0	152.4	146	215	168	6.35	Ø 25	27.8	47	110	32	M12	3/8	11	12
	3	203	101.5	190.5	190	237	190	6.35	Ø 25	27.8	47	110	32	M12	3/8	25	27
	4	229	110.5	228.6	241	309	250	9.52	Ø 35	39.1	59	130	32	M12	3/8	40	43
	6	394	197.0	279.5	342	386	305	12.70	Ø 45	50.4	81	160	40	M16	1/2	100	110
	8	457	228.5	342.9	430	476	385	12.70	Ø 55	60.6	91	160	55	M20	1/2	175	195
	10	533	266.5	406.4	512	582	472	15.87	Ø 65	71.9	110	230	90	M24	3/4	290	330
M2D Class 300	12	610	305.0	482.6	592	685	555	19.05	Ø 75	83.1	130	307	120	M30	3/4	460	515
	1	165	74.0	124.0	110	178	150	4.76	Ø 15	17.0	28	70	-	M10	M8	5	-
	1 1/2	191	70.0	155.0	145	206	168	4.76	Ø 20	22.0	38	70	-	M10	M8	10	-
	2	216	89.0	165.1	146	215	168	6.35	Ø 25	27.8	47	110	32	M12	3/8	15	17
	3	282	141.0	209.6	200	237	190	6.35	Ø 25	27.8	47	110	32	M12	3/8	35	37
	4	305	152.5	254.0	254	309	250	9.52	Ø 35	39.1	59	130	32	M12	3/8	60	63
	6	403	201.5	317.5	353	386	305	12.70	Ø 45	50.4	81	160	40	M16	1/2	135	145
	8	419	209.5	381.0	462	476	385	12.70	Ø 55	60.6	91	160	55	M20	1/2	240	260
10	457	208.0	445.5	552	582	472	15.87	Ø 65	71.9	110	230	90	M24	3/4	365	405	
12	502	223.0	520.7	626	685	555	19.05	Ø 75	83.1	130	307	120	M30	3/4	545	600	



TRUNNION TYPE VALVES

TYPE PN	NPS	DIMENSIONS (mm)													WEIGHT (kg)		
		A	A1	ØB	ØB1	E	K	M	ØO	P	R	S	T	U	V	M2	Q-M2
M2CW/M2CZ Class 150	10	533	267	405	514	562	472	12.70	55	60.60	90	230	90	M24	M14	325	360
	12	610	305	485	592	605	515	12.70	55	60.60	90	230	90	M24	M14	480	530
	14	686	343	535	665	741	607	19.05	75	83.15	134	330	120	M30	M20	635	710
	16	762	381	595	750	779	633	22.23	85	94.63	146	330	120	M30	M20	840	940
M2DW/M2DZ Class 300	10	568	284	445	580	562	472	12.70	55	60.60	90	230	90	M24	M14	330	370
	12	648	324	520	652	605	515	12.70	55	60.60	90	230	90	M24	M14	610	660
	14	762	381	585	700	741	607	19.05	75	83.15	134	330	120	M30	M20	800	870
	16	838	419	650	799	779	633	22.23	85	94.63	146	330	120	M30	M20	1015	1100

DIMENSIONS



SEAT SUPPORTED VALVE + DOUBLE ACTING ACTUATOR, TYPE B1C

NPS	TYPE	ACTUATOR / MOUNTING	DIMENSIONS, mm							NPT/ISO	WEIGHT [kg]
			F	G	H	I	J	V	X		
2	M2C	B1C6 / F07	400	260	380	224	226	36	90	1/4	20
3		B1C9 / F07	455	315	420	225	249	43	110	1/4	35
4		B1C11 / F10	540	375	515	233	315	51	135	3/8	60
6		B1C17 / F14	770	545	680	270	401	78	215	1/2	160
8		B1C20 / F14	840	575	840	291	500	97	215	1/2	250
8		B1C25 / F16	1040	710	900	310	523	121	265	1/2	310
10		B1C25 / F16	1040	710	1000	310	610	121	265	1/2	435
10		B1C32 / F25	1330	910	1105	348	647	153	395	3/4	560
12		B1C32 / F25	1330	910	1225	348	730	153	395	3/4	740
12		B1C40 / F30	1660	1150	1330	368	780	194	505	3/4	940
1	M2D	B1C6 / F07	400	260	305	224	163	36	90	1/4	15
1.5		B1C6 / F07	400	260	345	224	183	36	90	1/4	20
2		B1C9 / F07	455	315	385	225	227	43	110	1/4	30
3		B1C9 / F07	455	315	430	225	249	43	110	1/4	45
3		B1C11 / F10	540	375	440	233	255	51	135	3/8	55
4		B1C13 / F12	635	445	555	253	331	65	175	3/8	95
6		B1C20 / F14	840	575	720	291	420	97	215	1/2	215
8		B1C25 / F16	1040	710	915	310	523	121	265	1/2	375
10		B1C32 / F25	1330	910	1125	348	647	153	395	3/4	640
12		B1C40 / F30	1660	1150	1350	368	780	194	505	3/4	1025

TRUNNION TYPE VALVE + DOUBLE ACTING ACTUATOR B1C

NPS	TYPE	ACTUATOR / MOUNTING	DIMENSIONS, mm							NPT/ISO	WEIGHT (kg)
			F	G	H	I	J	V	X		
10	M2CW/M2CZ	B1C25 / F16	1040	710	1000	310	610	121	265	1/2	430
12		B1C25 / F16	1040	710	1110	310	650	121	265	1/2	580
12		B1C32 / F25	1330	910	1210	348	690	153	395	3/4	700
14		B1C32 / F25	1330	910	1380	348	780	153	395	3/4	890
14		B1C40 / F30	1660	1150	1485	368	830	194	505	3/4	1090
16		B1C32 / F25	1330	910	1430	348	810	153	395	3/4	1100
16	B1C40 / F30	1660	1150	1535	368	860	194	505	3/4	1300	
10	M2DW/M2DZ	B1C25 / F16	1040	710	1000	310	610	121	265	1/2	600
12		B1C25 / F16	1040	710	1125	310	650	121	265	1/2	730
12		B1C32 / F25	1330	910	1230	348	690	153	395	3/4	850
14		B1C32 / F25	1330	910	1235	348	780	153	395	3/4	1070
14		B1C40 / F30	1660	1150	1485	368	830	194	505	3/4	1270
16		B1C32 / F25	1330	910	1430	348	810	153	395	3/4	1400
16	B1C40 / F30	1660	1150	1535	368	860	194	505	3/4	1600	

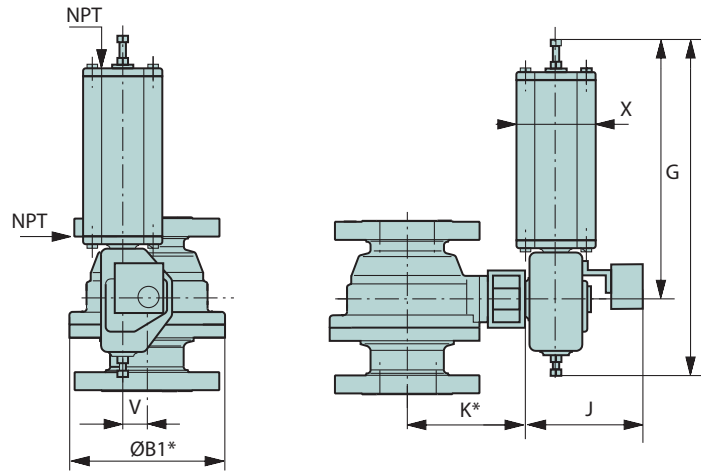
SEAT SUPPORTED VALVE + SPRING RETURN ACTUATOR, TYPE B1J AND B1JA

NPS	TYPE	ACTUATOR / MOUNTING	DIMENSIONS, mm							NPT/ISO	WEIGHT [kg]
			F	G	H	I	J	V	X		
2	M2C	B1J/B1JA6 / F07	485	368	360	225	227	36	110	3/8	21
2		B1J/B1JA8 / F07	560	420	380	225	227	43	135	3/8	30
3		B1J/B1JA6 / F07	485	368	400	225	249	36	110	3/8	36
3		B1J/B1JA8 / F07	560	420	420	225	249	43	135	3/8	45
3		B1J/B1JA10 / F10	650	490	440	233	255	51	175	3/8	60
4		B1J/B1JA10 / F10	650	490	525	233	315	51	175	3/8	75
4		B1J/B1JA12 / F12	800	620	560	253	331	65	215	1/2	100
6		B1J/B1JA16 / F14	990	760	705	270	401	78	265	1/2	205
6		B1J/B1JA20 / F14	1200	935	790	291	420	97	395	3/4	280
8		B1J/B1JA20 / F14	1200	935	915	291	500	97	395	3/4	355
8		B1J/B1JA25 / F16	1530	1200	990	310	523	121	505	3/4	530
10		B1J/B1JA25 / F16	1530	1200	1120	310	610	121	505	3/4	660
10		B1J/B1JA32 / F25	1830	1410	1175	348	647	153	540	1	980
12		B1J/B1JA32 / F25	1830	1410	1300	348	730	153	540	1	1160
1	M2D	B1J/B1JA8 / F07	560	560	300	225	164	43	135	3/8	25
2		B1J/B1JA10 / F10	650	490	405	233	233	51	175	3/8	45
3		B1J/B1JA10 / F10	650	490	445	233	255	51	175	3/8	70
3		B1J/B1JA12 / F12	800	620	480	253	271	65	215	1/2	95
4		B1J/B1JA12 / F12	800	620	565	253	331	65	215	1/2	120
4		B1J/B1JA16 / F14	990	760	605	270	346	78	265	1/2	165
6		B1J/B1JA20 / F14	1200	935	795	291	420	97	395	3/4	315
6		B1J/B1JA25 / F16	1530	1200	870	310	443	121	505	3/4	490
8		B1J/B1JA25 / F16	1530	1200	1005	310	523	121	505	3/4	595
10		B1J/B1JA32 / F25	1830	1410	1195	348	647	153	540	1	1050
12		B1J/B1JA32 / F25	1830	1410	1315	348	730	153	540	1	1245

TRUNNION TYPE VALVE + SPRING RETURN ACTUATOR B1J/B1JA

NPS	TYPE	ACTUATOR / MOUNTING	DIMENSIONS, mm							NPT/ISO	WEIGHT (kg)
			F	G	H	I	J	V	X		
10	M2CW/M2CZ	B1J/B1JA20 / F14	1200	935	1040	291	590	97	395	3/4	480
10		B1J/B1JA25 / F16	1530	1200	1115	310	610	121	505	3/4	650
12		B1J/B1JA25 / F16	1530	1200	1230	310	650	121	505	3/4	800
12		B1J/B1JA32 / F25	1830	1410	1285	348	690	153	540	1	1120
14		B1J/B1JA25 / F16	1530	1200	1400	310	750	121	505	3/4	990
14		B1J/B1JA32 / F25	1830	1410	1450	348	780	153	540	1	1310
16	B1J/B1JA32 / F25	1830	1410	1500	348	810	153	540	1	1520	
10	M2DW/M2DZ	B1J/B1JA25 / F16	1530	1200	1115	310	610	121	505	3/4	820
12		B1J/B1JA25 / F16	1530	1200	1245	310	650	121	505	3/4	950
12		B1J/B1JA32 / F25	1830	1410	1300	348	690	153	540	1	1270
14		B1J/B1JA32 / F25	1830	1410	1450	348	780	153	540	1	1490
16	B1J/B1JA32 / F25	1830	1410	1500	348	810	153	540	1	1820	

VALVE + B1C/B1J/B1JA



B1C ACTUATOR

Actuator	DIMENSIONS, mm					NPT	kg
	F	G	J	V	X		
B1C6	400	260	283	36	90	1/4	4.2
B1C9	455	315	279	43	110	1/4	9.6
B1C11	540	375	290	51	135	3/8	16
B1C13	635	445	316	65	175	3/8	31
B1C17	770	545	351	78	215	1/2	54
B1C20	840	575	385	97	215	1/2	73
B1C25	1040	710	448	121	265	1/2	131
B1C32	1330	910	525	153	395	3/4	256
B1C40	1660	1150	595	194	505	3/4	446
B1C50	1970	1350	690	242	610	1	830

Actuator	DIMENSIONS, inch					NPT	lbs
	F	G	J	V	X		
B1C6	15.75	10.24	11.14	1.42	3.54	1/4	9
B1C9	17.91	12.40	10.98	1.69	4.33	1/4	21
B1C11	21.26	14.76	11.42	2.01	5.31	3/8	35
B1C13	25.00	17.52	12.44	2.56	6.89	3/8	68
B1C17	30.31	21.46	13.82	3.07	8.46	1/2	119
B1C20	33.07	22.64	15.16	3.82	8.46	1/2	161
B1C25	40.94	27.95	17.64	4.76	10.43	1/2	289
B1C32	52.36	35.83	20.67	6.02	15.55	3/4	564
B1C40	65.35	45.28	23.43	7.64	19.88	3/4	983
B1C50	77.56	53.15	27.17	9.53	24.02	1	1829

B1J/B1JA ACTUATOR

Actuator	DIMENSIONS, mm					NPT	kg
	F	G	J	V	X		
B1J/B1JA6	485	368	273	36	110	3/8	8
B1J/B1JA8	560	420	279	43	135	3/8	17
B1J/B1JA10	650	490	290	51	175	3/8	30
B1J/B1JA12	800	620	316	65	215	1/2	57
B1J/B1JA16	990	760	351	78	265	1/2	100
B1J/B1JA20	1200	935	358	97	395	3/4	175
B1J/B1JA25	1530	1200	448	121	505	3/4	350
B1J/B1JA32	1830	1410	525	153	540	1	671
B1J/B1JA40	2095	1578	580	194	724	1	1100

Actuator	DIMENSIONS, inch					NPT	lbs
	F	G	J	V	X		
B1J/B1JA6	19.09	14.49	10.75	1.42	4.33	3/8	20
B1J/B1JA8	22.05	16.54	10.98	1.69	5.31	3/8	37
B1J/B1JA10	25.59	19.29	11.42	2.01	6.89	3/8	66
B1J/B1JA12	31.50	24.41	12.44	2.56	8.46	1/2	126
B1J/B1JA16	38.98	29.92	13.82	3.07	10.43	1/2	220
B1J/B1JA20	47.24	36.81	14.09	3.82	15.55	3/4	386
B1J/B1JA25	60.24	47.24	17.64	4.76	19.88	3/4	771
B1J/B1JA32	72.05	55.51	20.67	6.02	21.26	1	1479
B1J/B1JA40	82.48	62.13	22.8	7.64	28.5	1	2424

HOW TO ORDER

MBV MODULAR BALL VALVE, Series M2

1.	2.	3.	4.	5.	6.	7.	8.	9.	10.
	M2	C	A	08	A	P	V	A	/

1. sign	Low noise construction
Q-	Attenuator in flow port of ball

2. sign	Valve series, face-to-face length
M2	Full bore, seat supported, f-to-f length acc. to ASME B16.10.

3. sign	Pressure rating of body and flanges
C	ASME Class 150
D	ASME Class 300

4. sign	Construction
A	Standard construction, seat supported
V	Seat supported, pure PTFE soft parts, metal thrust bearing, for peroxide service
W	Trunnion mounted, 2-seats
Z	Trunnion mounted, 1-seat *

*) flow direction indicated by an arrow on the body

5. sign	Size
Seat supported valves	01, 1H, 02, 03, 04, 06, 08, 10, 12
Trunnion mounted valves	10, 12, 14, 16

6. sign	Materials			
	Body material	Trim and Coating material	Stem material	Bolting material/thread
A	CF8M	CF8M (& Hard Chrome, if metal seat)	AISI 329 trunnion mounted: XM-19 (NPS 10"-16")	A193 Gr. B8M
C	CG8M	CG8M (& Hard Chrome, if metal seat)	AISI 329 trunnion mounted: XM-19 (NPS 10"-16")	A193 Gr. B8M
U	CK-3MCuN	CK-3MCuN (& Ceramic coating, if metal seat)	UNS S31254	A193 Gr. B8M
S	CF8M + Cobalt based alloy sleeves in flow ports	CF8M (cobalt based coating on ball surface and flow port)	AISI 329 Only for seat supported types	A193 Gr. B8M
T	Titanium gr C-2	Titanium gr. C-2 (soft seats only)	Titanium gr 5	A2 - 70 / metric
X	4A	4A (+ Hard Chrome, if metal seat)	AISI 329 trunnion mounted: XM-19 (NPS 10"-16")	A193 Gr. B8M

7. sign	MATERIALS			
	Seat type	Seat material	Bearing material	Back seal material
SEAT SUPPORTED				
P	locked	SS+ Cobalt based hard facing	PTFE + Graphite	PTFE
X	soft	Xtreme®	PTFE + Graphite	-
T	soft	PTFE	PTFE + Graphite	-
S	unlocked	SS+ Cobalt based hard facing	PTFE + Graphite	PTFE
E*	low Δp	SS+ Cobalt based hard facing	PTFE + Graphite	PTFE / FPM
C	locked	CK-3MCuN + Cobalt based hard facing	PTFE + Graphite	PTFE
V	locked	4A + Cobalt based hard facing	PTFE + Graphite	PTFE
M	soft	Filled PTFE	PTFE + Graphite	-
TRUNNION MOUNTED				
P	metal	SS + Cobalt based hard facing	PTFE + Graphite	FFKM
S	metal	SS + Cobalt based hard facing	PTFE + Graphite	Viton GF
T	soft	PTFE + C25	PTFE + Graphite	-

8. sign	Packing	Body gasket
V	PTFE V-rings, standard	PTFE
F	Graphite	Graphite
G	Live loaded graphite packing for trunnion and seat supported valves	Graphite
T	Live loaded PTFE packing for trunnion and seat supported valves	PTFE

9. sign	Model code
A	Version

10. sign	End connection style
	Standard, without sign ASME B16.5 0.06" raised face with Ra 3.2 - 6.3 mikro-meters, Ra 125 - 250 micro-inches (M2)
13	Large female ANSI B16.3
12	Large male ANSI B16.3

Metso Corporation
Töölönlahdenkatu 2, PO Box 1220, 00100 Helsinki, Finland
Tel. +358 20 484 100

Metso Flow Control Inc.
Vanha Porvoontie 229, P.O. Box 304, FI-01301 VANTAA, Finland.
Tel. +358 20 483 150. Fax +358 20 483 151

www.metso.com/valves

Subject to change without prior notice. Product names in this bulletin are all trademarks of Metso Flow Control Inc.

