

Discontinuation of Select NT21 Programming Terminals

Select NT21 HMI devices are being discontinued. The replacement product is the NB3 series of HMI. **The final last time buy order entry date will be the end of February 2019.** The last date of support for this model is March 2026.

The recommended replacement will require new programming and has a different size panel cutout. The recommended replacement, the NB series, is a high performance low cost HMI with a 65536 color TFT LCD. NB-Designer software can be downloaded from www.omron247 for free.



Discontinued Model and Replacement

Product discontinuation	Recommended replacement
NT21-ST121-E	NB3Q-TW00B or NB5Q-TW00B
NT21-ST121B-E	

Compatibility

Recommended replacement Model	Body Color	Dimen-sions	Wire connection	Mounting Dimensions	Charact-eristics	Operation ratings	Operation methods
NB3Q-TW00B	**/--	--	--	--	--	--	--
NB5Q-TW00B	**/--	--	--	--	--	--	--

** : Compatible

* : The change is a little/Almost compatible

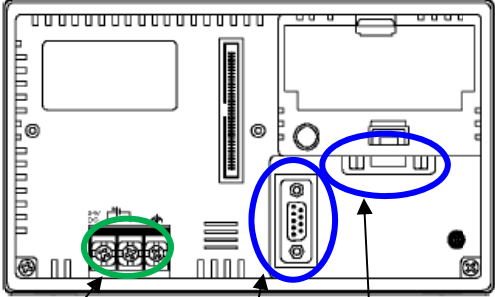
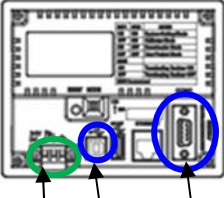
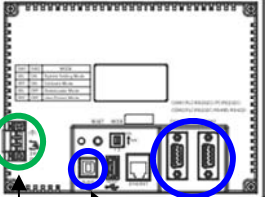
-- : Not compatible

- : No corresponding specification

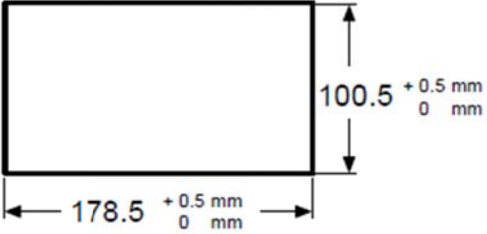

Color

Discontinued Product Model NT21-ST121(B)-E	Recommended Replacement Model NB3Q,NB5Q
Ivory :NT21-ST121-E Black : NT21-ST121B-E	Black color only

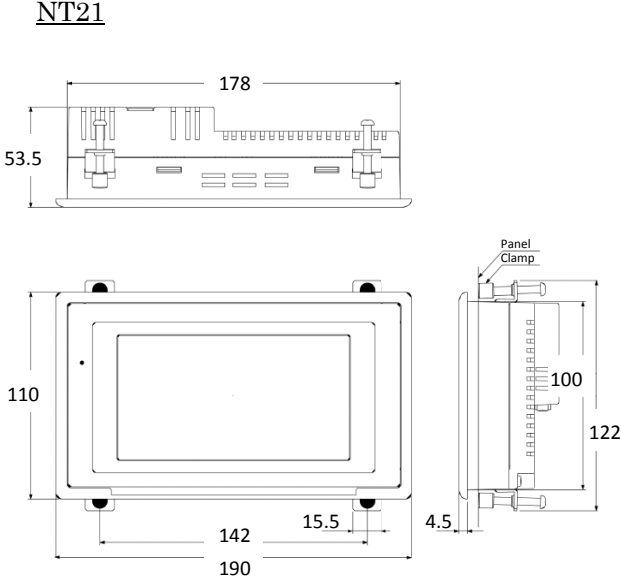
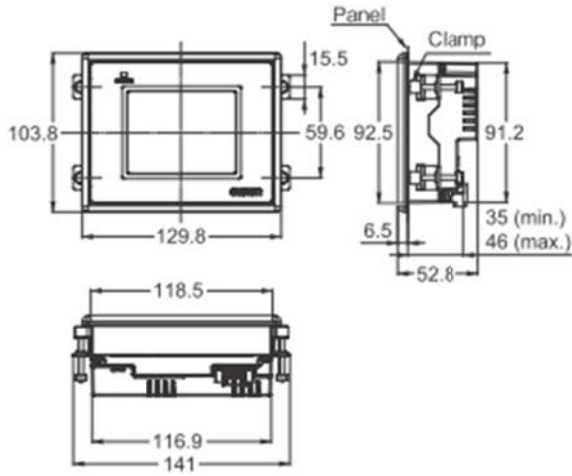
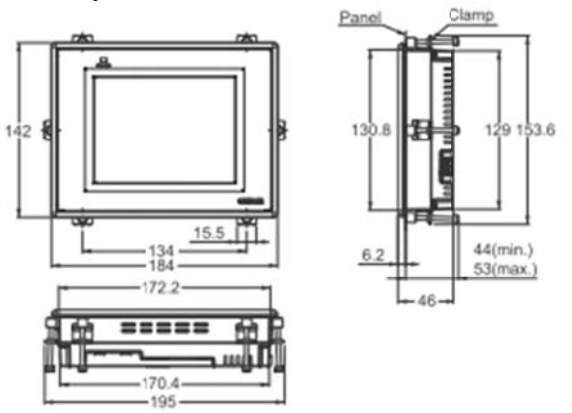
Connections

Discontinued Product Model NT21-ST121(B)-E	Recommended Replacement Model NB3Q,NB5Q
<p data-bbox="289 380 358 405">NT21</p>  <p data-bbox="240 747 480 772">1) Power input terminals</p> <p data-bbox="342 842 745 898">2) RS232C connector (For connecting to a host or to a tool)</p> <p data-bbox="558 747 810 804">3) RS232C connector (For connection to a host)</p>	<div style="display: flex; justify-content: space-around;"> <div data-bbox="948 380 1175 674"> <p data-bbox="948 380 1024 405">NB3Q</p>  <p data-bbox="987 646 1008 672">1)</p> <p data-bbox="1036 646 1057 672">2)</p> <p data-bbox="1117 646 1138 672">3)</p> </div> <div data-bbox="1214 380 1484 674"> <p data-bbox="1227 380 1304 405">NB5Q</p>  <p data-bbox="1227 659 1248 684">1)</p> <p data-bbox="1321 659 1343 684">2)</p> <p data-bbox="1425 659 1446 684">3)</p> </div> </div> <div data-bbox="1143 705 1511 835" style="border: 1px solid black; padding: 5px; margin-top: 10px;"> <p data-bbox="1159 716 1386 741">1) Power input terminal</p> <p data-bbox="1159 743 1338 768">2) Tool port (USB)</p> <p data-bbox="1159 770 1370 795">3) RS-232 connector (For connecting to a host)</p> </div>

Mounting Dimensions

Discontinued Product Model NT21-ST121(B)-E	Recommended Replacement Model NB3Q,NB5Q									
<p data-bbox="204 1142 477 1167">Panel cut dimensions</p>  <p data-bbox="678 1268 846 1314">100.5 ^{+0.5 mm}_{0 mm}</p> <p data-bbox="363 1381 667 1428">178.5 ^{+0.5 mm}_{0 mm}</p>	<p data-bbox="880 1142 1153 1167">Panel cut dimensions</p>  <p data-bbox="1094 1402 1115 1428">W</p> <p data-bbox="1321 1255 1343 1281">H</p> <table border="1" data-bbox="922 1493 1487 1608" style="margin-top: 10px;"> <thead> <tr> <th>model</th> <th>W(mm)</th> <th>H(mm)</th> </tr> </thead> <tbody> <tr> <td>NB3Q-TW00B</td> <td>119.0(+0.5/-0)</td> <td>93.0(+0.5/-0)</td> </tr> <tr> <td>NB5Q-TW00B</td> <td>172.4(+0.5/-0)</td> <td>131.0(+0.5/-0)</td> </tr> </tbody> </table>	model	W(mm)	H(mm)	NB3Q-TW00B	119.0(+0.5/-0)	93.0(+0.5/-0)	NB5Q-TW00B	172.4(+0.5/-0)	131.0(+0.5/-0)
model	W(mm)	H(mm)								
NB3Q-TW00B	119.0(+0.5/-0)	93.0(+0.5/-0)								
NB5Q-TW00B	172.4(+0.5/-0)	131.0(+0.5/-0)								

Dimensions

<p>Product discontinuation Model NT21-ST121(B)-E</p>	<p>Recommendable replacement Model NB3Q,NB5Q</p>
<p>Outside Dimensions</p> <p><u>NT21</u></p>  <p>Units: mm</p>	<p>Outside Dimensions</p> <p><u>NB3Q</u></p>  <p><u>NB5Q</u></p>  <p>Units: mm</p>

Specifications

Item	Product discontinuation Model NT21-ST121(B)-E	Recommendable replacement	
		Model NB3Q	Model NB5Q
Display device	Monochrome STN LCD	TFT Color LCD	TFT Color LCD
Display inches	—	3.5 inches	5.6 inches
Display colors	White/Black	65,536 colors	65,536 colors
Number of dots	260 x 140 dot	320 x 240 dot	320 x 234 dot
Backlight Service life	50,000 hours min.	50,000 hours min.	50,000 hours min.
Rated power supply voltage	24 VDC	24 VDC	24 VDC
Power consumption	7W max.	9W max.	10W max.
Communications	Serial Communications x2 (RS232C x2)	Serial Communication x1 (RS232C/RS422A /485) USB2.0 x2 (typeA+typeB)	Serial Communication x2 (RS232C+ RS232C/RS422A/485) USB2.0 x2 (typeA+typeB)
Standard	UL1604 Class1 Division2, EU	UL508,KC,EU	UL508,KC,EU
Manual	V061-E1:Operation Manual V068-E1:Setup Manual V069-E1:Reference Manual	V106-E1:Operation Manual V107-E1:Setup Manual V108-E1:Host Connection Manual	V106-E1:Operation Manual V107-E1:Setup Manual V108-E1:Host Connection Manual
Design software	NT-ZJCAT1-E(C)V4	NB-Designer	NB-Designer

Specifications and prices in this product news are as of the issue date and are subject to change without notice. Only main changes in specifications are described in this document. Please be sure to read the relevant catalogs, datasheets, product specifications, instructions, and manuals for precautions and necessary information when using products.