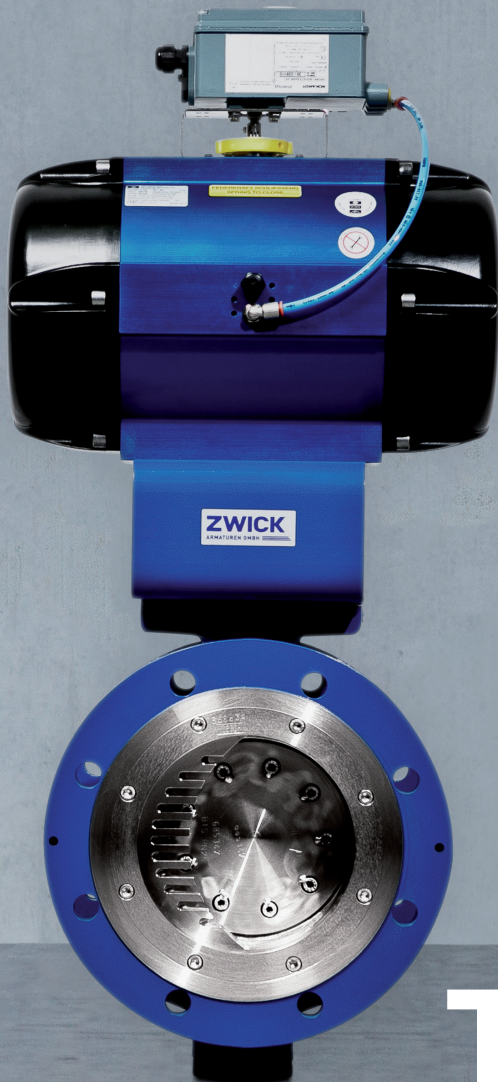


**ZWICK**  
ARMATUREN GMBH

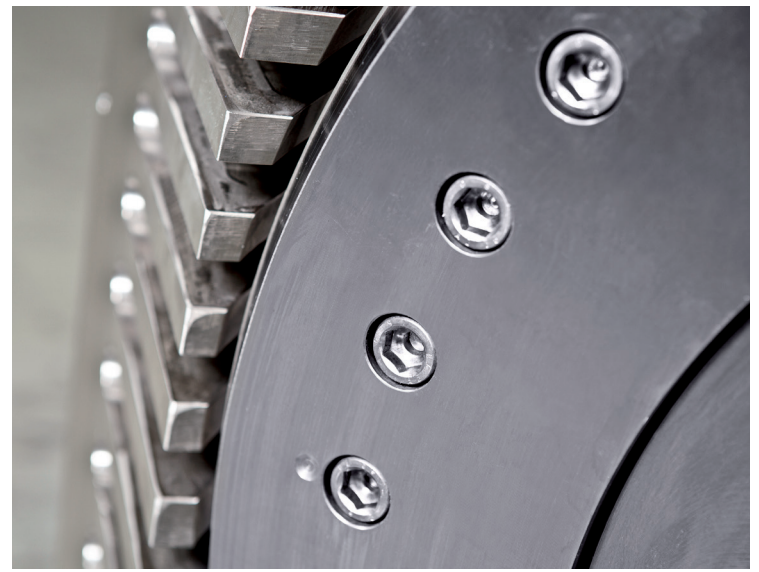


# TRI-SHARK

**MAXIMUM CONTROLLING** **MAXIMUM TIGHTNESS\***

\*up to Zero Leakage acc. to API 598 or Leakage rate A-C acc. DIN EN 12266-1

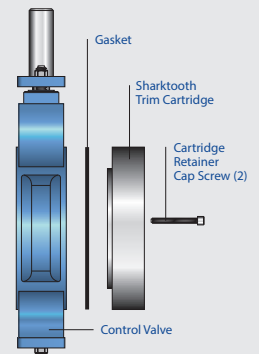
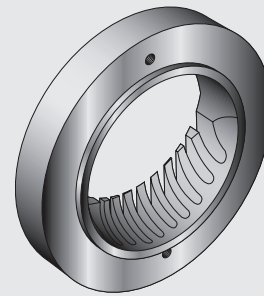
# HIGH STANDARD VALVES FOR NON-STANDARD CONDITIONS.



## TRI-SHARK Control Valves

TRI-SHARK control valves are able to achieve a nearly equal percentage inherent characteristic, which greatly extends the control range ability. Furthermore they offer great advantages in the field of cavitation reduction and noise attenuation, as well as in dynamic torque reduction.

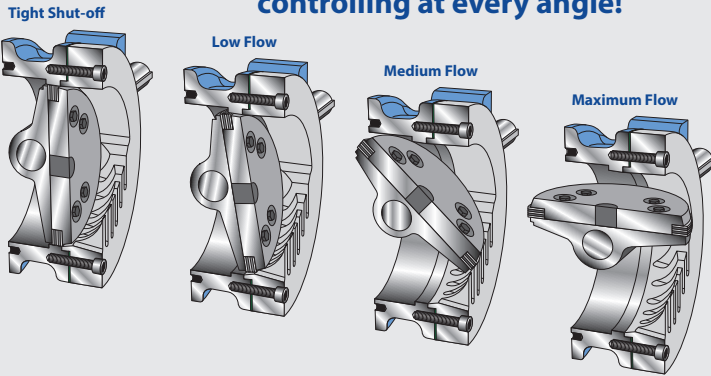
They are suitable for a wide range of services, for cryogenic temperatures from  $-196^{\circ}\text{C}$  up to  $+815^{\circ}\text{C}$ , including liquids, gases and steam.



### TRI-SHARK Throttling Trim Cartridge

The Sharktooth "Throttling Trim Cartridge" is used to turn our Triple-Off-Set Butterfly Valves into excellent throttling control valves. Now, just one style of valve can be used for both on-off, and control applications.

## TRI-SHARK... controlling at every angle!



## Performance Benefits

- DN 80 - DN 900, 3" - 36"\*
- Class: 150 thru 900, PN 10 - PN 160
- Carbon Steel, Stainless Steel, & Exotic Alloys
- Metal-to-Metal Seating
- From  $-196^{\circ}\text{C}$  up to  $+815^{\circ}\text{C}$
- Firesafe to API 607
- Low Running Torques
- Stable Control
- Light Weight
- Compactness
- Low Cost of Ownership
- Field Replaceable Trim Cartridges
- Up to Zero Leakage as per API 598 or Leakage rate A-C acc. to DIN EN 12266-1 for liquids and gases
- Severe Service Capability



# ZWICK

ARMATUREN GMBH

Egerstr. 1 & 25  
D-58256 Ennepetal  
TEL +49 (0) 23 33 / 98 56 5  
FAX +49 (0) 23 33 / 98 56 6  
MAIL info@zwick-gmbh.de

[WWW.ZWICK-VALVES.COM](http://WWW.ZWICK-VALVES.COM)