

# GasPro™ TEM-1760

High-Flow Ultra-High Purity  
All-316L In-Line Filter



**GasPro™ TEM-1760 Series filters are designed for 3 nm particle retention up to flow rates of 210 slpm and temperatures of 200°C (392°F).**

The all-316LSS welded filter offers excellent bake-out characteristics for fast dry downs and in-line qualification.

## Typical Applications

- Filtration in semiconductor processes.
- High-flow ultra-high purity inert and specialty gases.

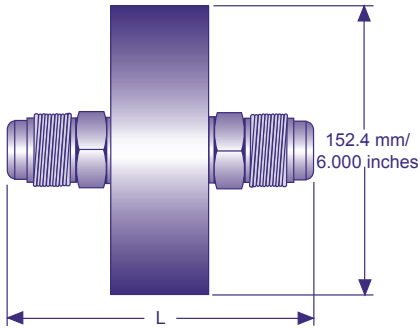
## Features and Benefits

- **Construction**  
All 316L stainless steel sintered fibre media and hardware.
- **Electro-polished housing**  
The filter assemblies have a 15Ra electro-polished 316L stainless steel housing to prevent corrosion and particle build-up on interior surfaces.
- **Out of package cleanliness**  
Our GasPro™ TEM-1760 filters are cleaned and packaged in a cleanroom with organic free handling for out-of-package, particle free, and chemical free cleanliness. Final assembly is purged with filtered nitrogen for initial cleanliness. Additional preconditioning is optional.  
All units tested to  $1 \times 10^9$  atm cc/second.
- **100% helium leak tested**  
All units tested to  $1 \times 10^9$  atm cc/second.

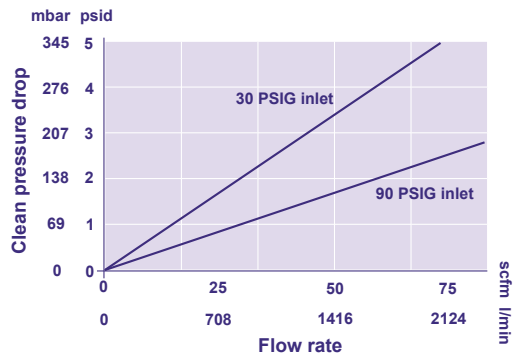
## Specifications

- **Filtration Rating**  
Efficient 3 nm particle retention.
- **Maximum operating temperature**  
200°C (392°F) in inert gas.
- **Maximum operating pressure**  
42.2 bar (700 psig) at 20°C (68°F).

## Specifications



Gas flow rate vs Pressure drop



## TEM-1760 Part Numbers and Ordering Information

Part number	Description*	Filter media/housing	Filter housing OD	Length (L)
TEM-1765-8	1/2" M/M face seal	All 316L SS	6.0" (152.4 MM)	3.975" (101 mm)
TEM-1765-12	3/4" M/M face seal			5.15" (130.8 mm)
TEM-1765-16	1.0" M/M face seal			5.295" (134.5 mm)

Not all fittings, lengths, and part numbers are shown on the chart. Please contact your Porvair representative or an approved Porvair distributor for special length and fitting options.