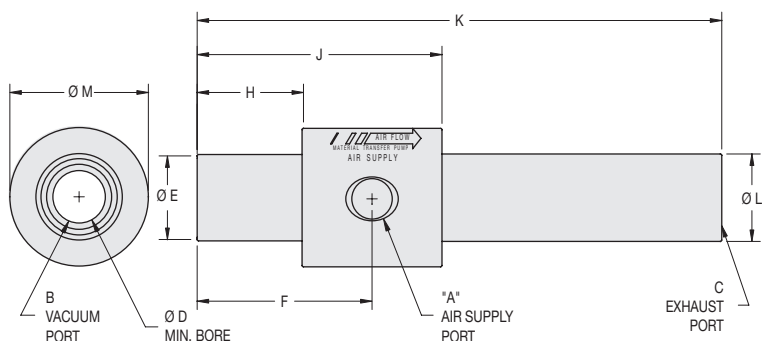


Standard Material Conveying Pump: DF Series (DF 7-6 shown is representative sample of all DF's)



Model #	DF Series – Imperial Dimensions (in.)													
	A	B Optional Male Vacuum Thread	C Optional Male Exhaust Thread	B Optional Female Vacuum Thread	C Optional Female Exhaust Thread	D Minimum Bore	E	F	H	J	K	L	M	Weight
DF 1-3	1/8 NPT F	1/8" NPT	1/8" NPT	1/8" NPT	1/8" NPT	0.15	0.48	1.00	0.50	1.50	3.00	0.49	0.99	1.5oz
DF 2-3	1/8 NPT F	3/8" NPT	3/8" NPT	1/4" NPT	1/4" NPT	0.25	0.73	1.25	0.75	1.75	3.50	0.74	1.24	3.2 oz
DF 3-3, 3-6	1/8 NPT F	3/8" NPT	3/8" NPT	1/4" NPT	1/4" NPT	0.38	0.73	1.25	0.75	1.75	3.50	0.74	1.24	2.8 oz
DF 5-3, 5-6	1/4 NPT F	1/2" NPT	1/2" NPT	1/2" NPT	1/2" NPT	0.50	0.99	1.62	1.00	2.25	5.50	1.00	1.48	6.2 oz
DF 7-3, 7-6	3/8 NPT F	3/4" NPT	3/4" NPT	3/4" NPT	3/4" NPT	0.75	1.24	2.50	1.50	3.50	7.50	1.25	1.98	13.4 oz
DF 10-3, 10-6	3/8 NPT F	1" NPT	1" NPT	1" NPT	1" NPT	1.00	1.46	2.50	1.50	3.50	7.50	1.48	2.23	1 lb 5 oz
DF 12-3, 12-6	3/8 NPT F	*	*	*	*	1.25	1.71	2.50	1.50	3.50	7.50	1.73	2.47	1 lb 3 oz
DF 15-3, 15-6	3/8 NPT F	1 1/4" NPT	1 1/4" NPT	1 1/4" NPT	1 1/4" NPT	1.50	1.96	2.50	1.50	3.50	7.50	1.98	2.73	1 lb 5 oz
DF 20-3, 20-6	3/8 NPT F	2" NPT	2" NPT	2" NPT	2" NPT	2.00	2.46	2.50	1.50	3.50	7.50	2.48	3.23	1 lb 9 oz
DF 30-6	1/2 NPT F	N/A	N/A	N/A	N/A	3.00	3.46	2.50	1.50	3.50	8.50	3.48	4.47	3 lbs 6 oz
DF 40-12	3/4 NPT F	N/A	N/A	N/A	N/A	4.00	4.89	3.25	2.00	4.50	9.50	4.95	5.*	6 lbs 11 oz

Model #	DF Series – Metric Dimensions (mm.)													
	A	B Optional Male Vacuum Thread	C Optional Male Exhaust Thread	B Optional Female Vacuum Thread	C Optional Female Exhaust Thread	D Minimum Bore	E	F	H	J	K	L	M	Weight
I-DF 1-3	G 1/8	G 1/8	G 1/8	G 1/8	G 1/8	3.8	12.2	25.4	12.7	38.1	76.2	12.4	25.1	42.5g
I-DF 2-3	G 1/8	G 3/8	G 3/8	G 1/4	G 1/4	6.4	18.4	31.8	19.1	44.5	88.9	18.8	31.5	91g
I-DF 3-3, 3-6	G 1/8	G 3/8	G 3/8	G 1/4	G 1/4	9.7	18.4	31.8	19.1	44.5	88.9	18.8	31.5	79g
I-DF 5-3, 5-6	G 1/4	G 1/2	G 1/2	G 1/2	G 1/2	12.7	25.0	41.1	25.4	57.2	139.7	25.4	37.6	176g
I-DF 7-3, 7-6	G 3/8	G 3/4	G 3/4	G 3/4	G 3/4	19.1	31.4	63.5	38.1	88.9	190.5	31.8	50.3	380g
I-DF 10-3, 10-6	G 3/8	G 1	G 1	G 1	G 1	25.4	37.1	63.5	38.1	88.9	190.5	37.6	56.6	468g
I-DF 12-3, 12-6	G 3/8	*	*	*	*	31.8	43.4	63.5	38.1	88.9	190.5	43.9	62.7	541g
I-DF 15-3, 15-6	G 3/8	G 1 1/4	G 1 1/4	G 1 1/4	G 1 1/4	38.1	49.8	63.5	38.1	88.9	190.5	50.3	69.3	607g
I-DF 20-3, 20-6	G 3/8	G 2	G 2	G 2	G 2	50.8	62.5	63.5	38.1	88.9	190.5	63.0	82.0	777g
I-DF 30-6	G 1/2	N/A	N/A	N/A	N/A	76.2	87.9	63.5	38.1	88.9	215.9	88.4	113.5	1.4kgs
I-DF 40-12	G 3/4	N/A	N/A	N/A	N/A	101.6	124.2	82.6	50.8	114.3	241.3	125.7	18* Ž	3kgs

*Note: Consult Factory.