

Fulflo® EH Multi-Cartridge Filter Vessel

304 stainless steel, commercial (non ASME code) design

The Fulflo EH non-code multi-cartridge filter vessels provide economical filtration of a wide variety of liquids in a lightweight, externally polished stainless steel design, with features including a swing bolt secured, quick opening cover and an internal positive pressure cartridge alignment and sealing plate.

The EH vessels accommodate either 30" or 40" long, double open end (DOE) or 222 single open end (SOE) filter cartridges.

These vessels are manufactured from polished and passivated 304 stainless steel and rated for 150 psi (10.3 bar).

For added corrosion resistance, all cover bolt and leg mounting hardware is made from stainless steel as well.



Contact Information

Parker Hannifin Corporation
domnick hunter
Process Filtration - North America
2340 Eastman Avenue
Oxnard, California, USA 93030

toll free +1 877 784 2234
phone +1 805 604 3400
fax +1 805 604 3401
dhpsales.na@parker.com

www.parker.com/processfiltration



Benefits

- Convertible design allows for use of both DOE and SOE cartridges
- Swing bolted o-ring closure seal provides quick and positive seal and easy access to the vessel interior and filter cartridges
- Both FNPT threaded and ANSI B16.5 flanged connections are available in specific models
- EPDM seals are standard with other material options available
- Standard threaded FNPT vent & drains
- Standard stainless steel cartridge support and sealing hardware
- Polished exterior and pickle passivate interior / exterior for enhanced corrosion resistance

Applications

- Potable Water
- Lubricants
- Process Water
- Coolants
- Edible Oils
- Cutting oils
- Coatings
- Solvents

ENGINEERING YOUR SUCCESS.

Fulflo® EH Multi-Cartridge Filter Vessel

Available Finishes

- Polished exterior

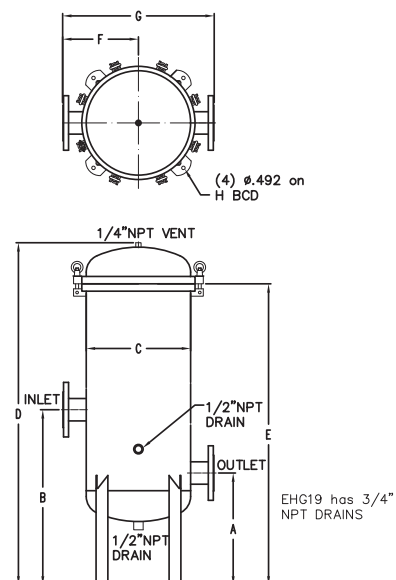
Typical aqueous flow*		
Model	Filter Quantity	Capacity (gpm)
EHG05T	5 x 30"	75
EHG05Q	5 x 40"	100
EHG07Q	7 x 40"	140
EHG11T	11 x 30"	165
EHG11Q	11 x 40"	220
EHG19Q	19 x 40"	380

*Based on 5gpm water per 10" length

Material of Construction	Max. Allowable Pressure (MAP) (psi @ MAT °F)	Max. Allowable Temp. (MAT) (°F @ MAP psi)
304 Stainless	150 psi (10.3 bar)	300°F (149°C)

O-ring Temperature Guide	
Material	Max. Temp.
Nitrile (Buna-N)	250°F (121°C)
EPDM (EPR)*	300°F (149°C)
FKM (Viton®)	400°F (204°C)

*EPDM o-ring is standard.



Cartridge Configurations*	
222 O-ring SOE	Flat
	PP spring closed end
	Flex fin
	Fin
Gasket SOE	PP spring closed end
DOE	Standard

*2.75" maximum diameter

Vessel dimensions								
Model	A	B	C	D	E	F	G	H
EHG05T2T	9.85	23.63	8.00	49.00	45.67	6.00	12.00	12.40
EHG05Q2T	9.85	27.56	8.00	59.25	55.91	6.00	12.00	12.40
EHG07Q2T	11.81	31.50	10.00	62.00	57.87	7.00	14.00	14.57
EHG11T3F	14.17	27.56	12.00	55.71	50.79	9.14	18.27	16.54
EHG11Q3F	14.17	35.43	12.00	65.16	60.24	9.14	18.27	16.54
EHG19Q4F	15.75	35.43	15.91	67.52	61.61	11.90	23.79	20.87

Ordering Information

EH	05		
Material of Construction	Cartridge Qty.	Element Length	Inlet/Outlet Connection
Code Description	5	Code Inches	Code Size
G 304 SST		T 30	2T 2" NPT
		Q 40	

EH	11		
Material of Construction	Cartridge Qty.	Element Length	Inlet/Outlet Connection
Code Description	11	Code Inches	Code Size
G 304 SST		T 30	3F 3" Flange
		Q 40	

EH	07		
Material of Construction	Cartridge Qty.	Element Length	Inlet/Outlet Connection
Code Description	7	Code Inches	Code Size
G 304 SST		Q 40	2T 2" NPT

EH	19		
Material of Construction	Cartridge Qty.	Element Length	Inlet/Outlet Connection
Code Description	19	Code Inches	Code Size
G 304 SST		Q 40	4F 4" Flange

Specifications are subject to change without notification. For User Responsibility Statement, see www.parker.com/safety



© 2014 Parker Hannifin Corporation
domnick hunter Process Filtration - North America
All Rights Reserved
Fulflo is a registered trademark of Parker-Hannifin Corporation
Viton is a registered trademark of E.I. DuPont de Nemours & Co., Inc.

DS_IP_E Multi Filter Vessel 2/14 Rev. A